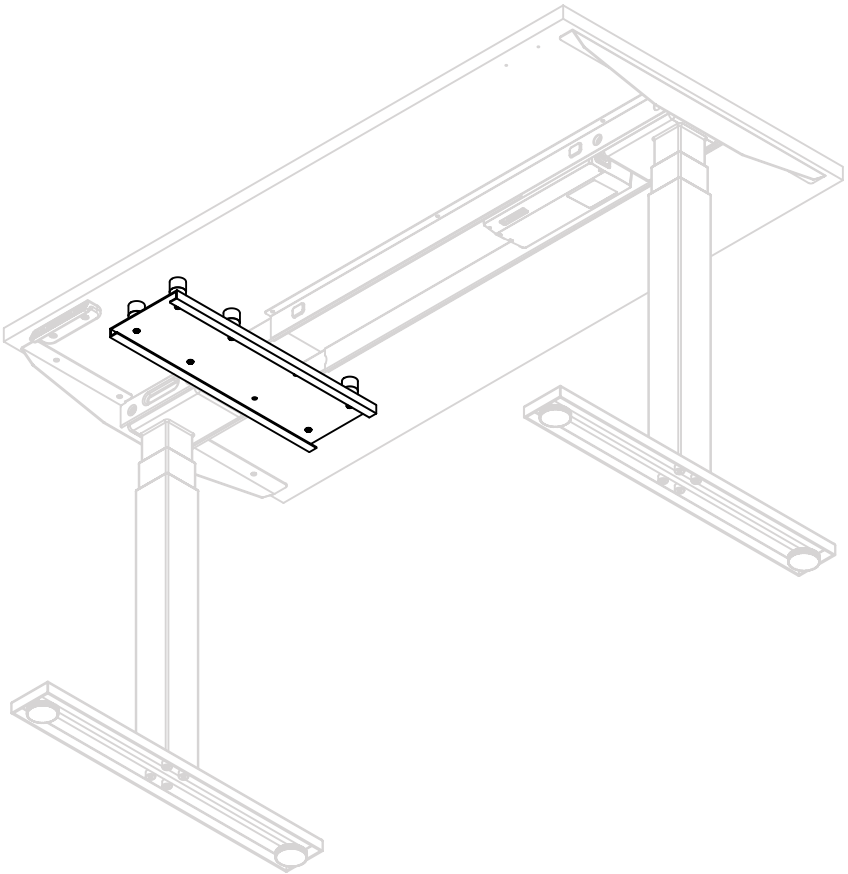


Spacer Mounting Kit for Keyboard Tray and CPU Holders with an upCentric® Desk

Assembly Instructions

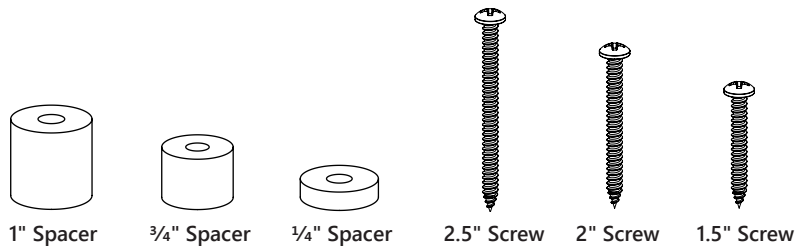


ergoCentric®

The science of sitting®

Spacer Mounting Kit

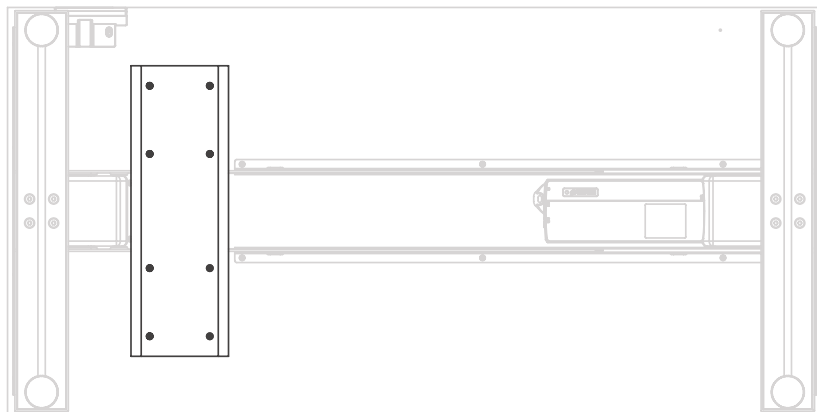
Parts



Assembly Instructions

A spacer kit is required when installing a track-mounted keyboard tray or CPU holder under an upCentric® desk.

Step 1: Position the keyboard tray or CPU mounting track under the desktop in the desired location, either across or beside the table's crossbars.

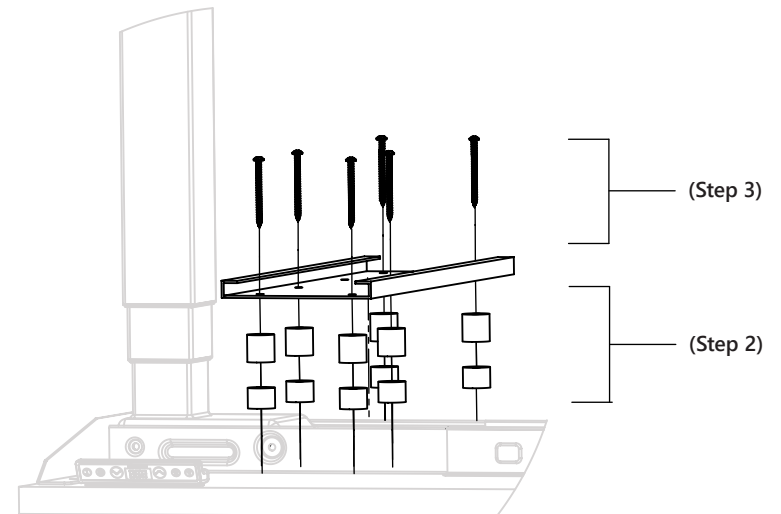


Spacer Mounting Kit

Step 2: Place spacers under the track to lift it above any obstacles on the table. Align the spacer holes with the track's mounting holes. Use the 1" spacer alone or combine it with the 3/4" and/or 1/4" spacers to achieve the desired height.

Note: Select the appropriate screw based on the spacer used.

SPACER	SCREW
1" Spacer	1.5" Screw
1" Spacer + 1/4" Spacer	2" Screw
1" Spacer + 3/4" Spacer	2.5" Screw
All three spacers (2" Total)	2.5" Screw



Step 3: Using a drill, drive the appropriately selected screw through the track and spacers into the desktop.

Step 4: Complete the installation of the keyboard tray or CPU holder by following the instructions included with the unit.

ergoCentric®

ph: 1 866 GET ERGO (438-3746) | 905 696-6800

service@ergocentric.com

ergocentric.com

ergoCentric® is a registered trademark of ergoCentric Inc.