

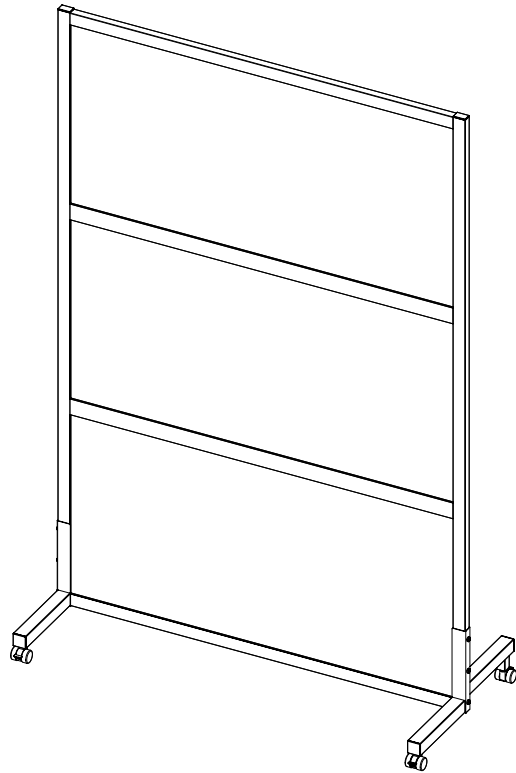
Portable Office Dividers

Assembly instructions

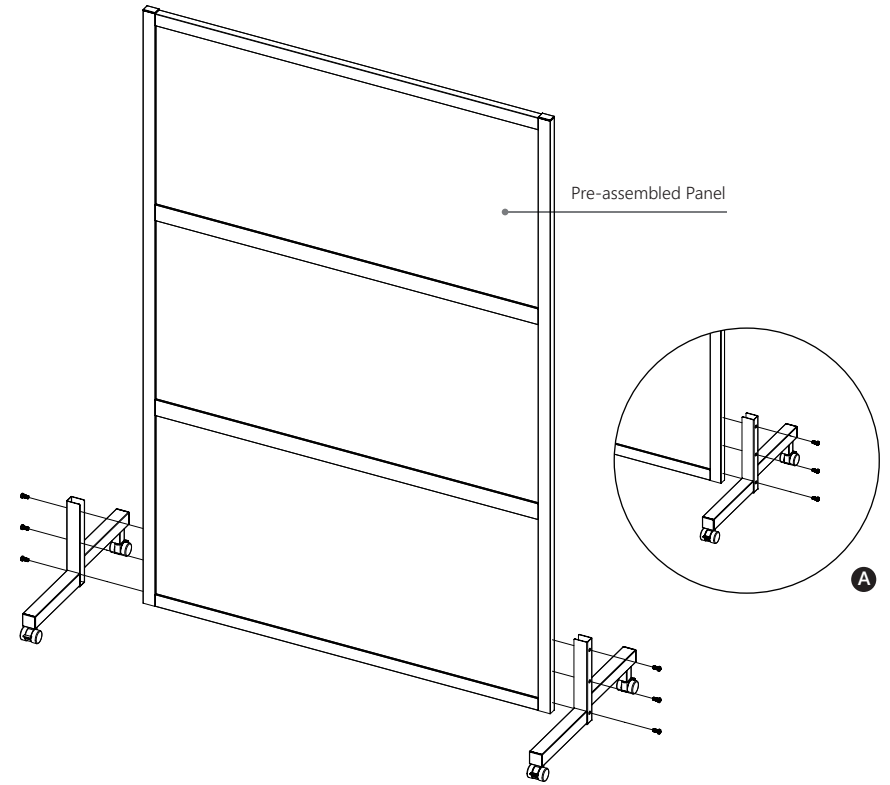


ergoCentric®
The science of sitting®

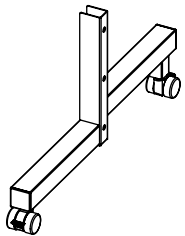
Portable Office Dividers



Portable Office Dividers



Parts



(1)
Support base
with casters



(2)
#8 X 1/2"
Self-tapping Panhead
Phillips Screw

Install Support Bases with casters

Fasten metal bases to the side of the pre-assembled panel, with provided hardware (1). See image (A).

Phillips Screw Driver Required. Tighten screws firmly.

ergoCentric®

ph: 1 866 GET ERGO (438-3746) | 905 696-6800

fx: 1 800 848-5190 | 905 696-0899

service@ergocentric.com

ergocentric.com