

# Fixed Height X-Leg

---

## Assembly Instructions

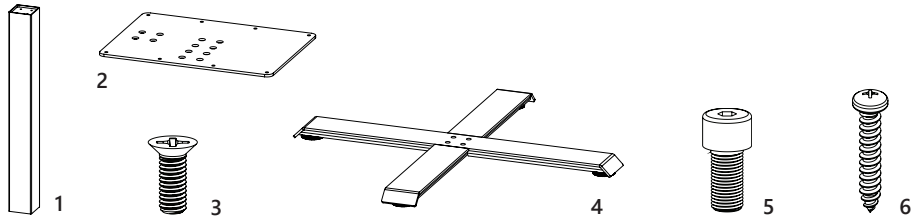


ergoCentric®

The science of sitting®

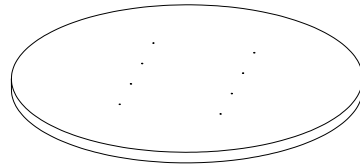
# Fixed Height X-Leg

## Parts



## Preparing the tabletop

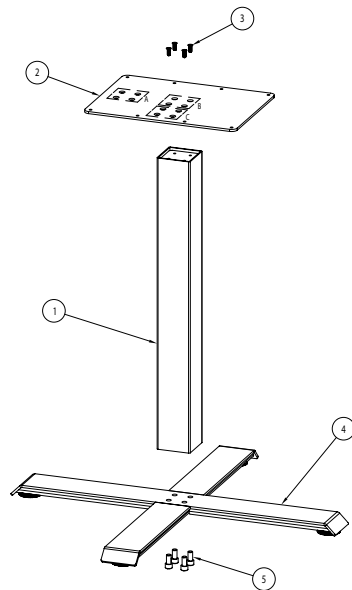
**Step 1:** Lay table top on floor or work area with decorative laminate faced down and brown underside faced up.



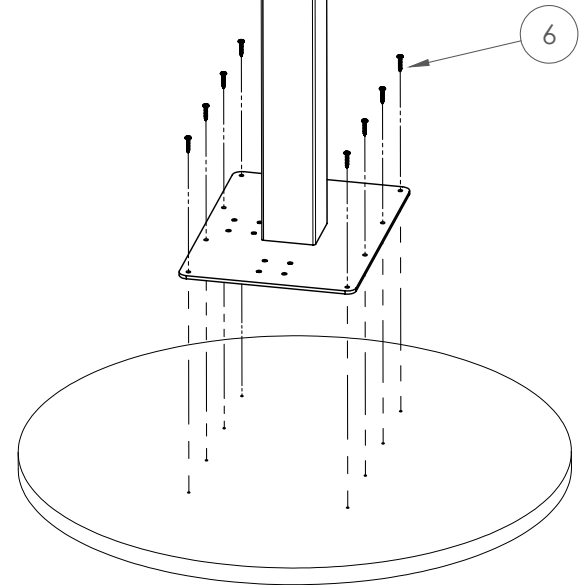
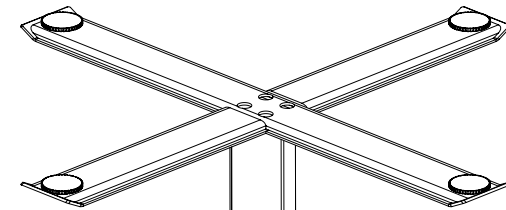
## Assembly Instructions

**Step 1:** Attach Square Tube Leg (1) to 10"x 14" Leg Attachment Plate (2) using 4 x M6x16 Flat Head Screws (3). Use holes (B) in center of the leg attachment plate.

**Step 2:** Attach X-Shaped Foot (4) to opposite end of Square Tube Leg using 4 x M10 Bolts (5).



# Fixed Height X-Leg



**Step 3:** Place the leg assembly on underside of table top, align with Pilot Holes then attach using 8 x #8X7/8" Wood Screws (6).

**Step 4:** Flip over, then level with glides.

# ergoCentric®

ph: 1 866 GET ERGO (438-3746) | 905 696-6800

fx: 1 800 848-5190 | 905 696-0899

[service@ergocentric.com](mailto:service@ergocentric.com)

[ergocentric.com](http://ergocentric.com)