

Fixed Height T-Leg

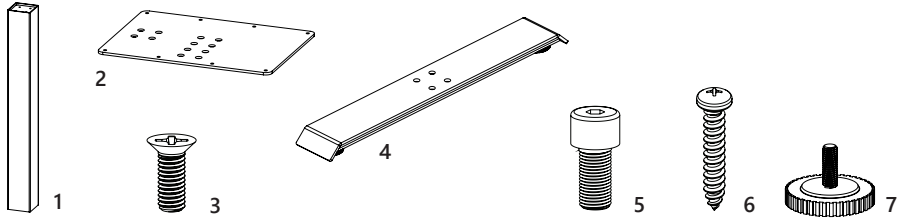
Assembly Instructions



ergoCentric®

Fixed Height T-Leg

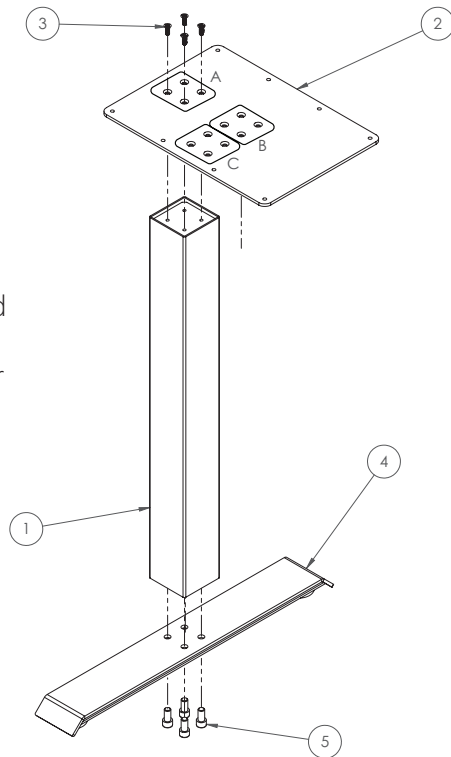
Parts



Assembly Instructions

Step 1: Fasten Square Tube Legs (1) to 10" x 14" Leg Attachment Plates (2) using 4 x M6X16 Flat Head Screws (3). Use the the holes (A), closest to the 10" edge of the Leg Attachment Plate.

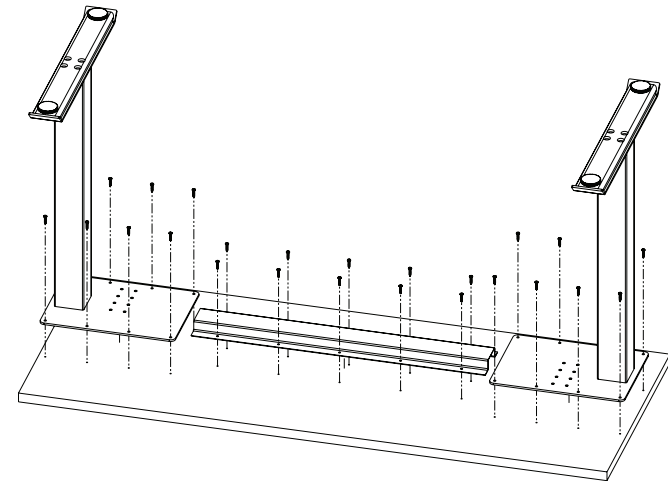
Step 2: Fasten Feet (4) to opposite end of Square Tube Legs (1) using 4 x M10 Bolts (5). Attach the Feet perpendicular to the Leg Attachment Plates.



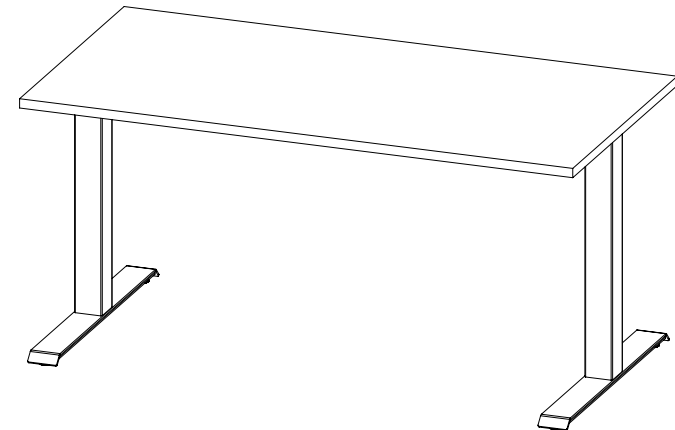
Fixed Height T-Leg

Step 3: Attach legs to tabletop using #8X7/8" Wood Screws (6).

Step 4: Attach undertable support #8X7/8" Wood Screws (6).



Step 5: Flip over, then level with glides (7).



ergoCentric®

ph: 1 866 GET ERGO (438-3746) | 905 696-6800

fx: 1 800 848-5190 | 905 696-0899

service@ergocentric.com

ergocentric.com

ergoCentric® is a registered trademark of ergoCentric Inc.