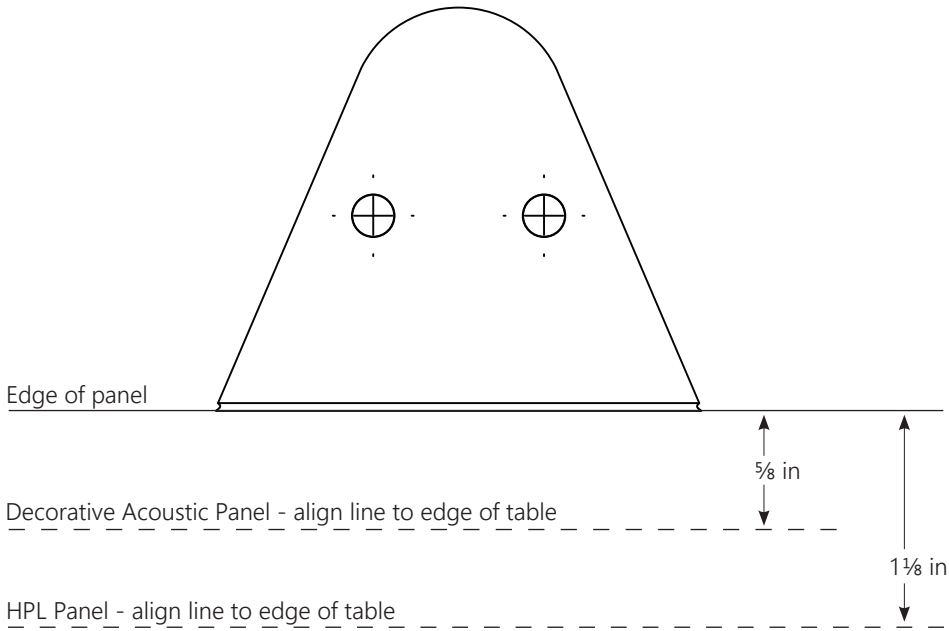


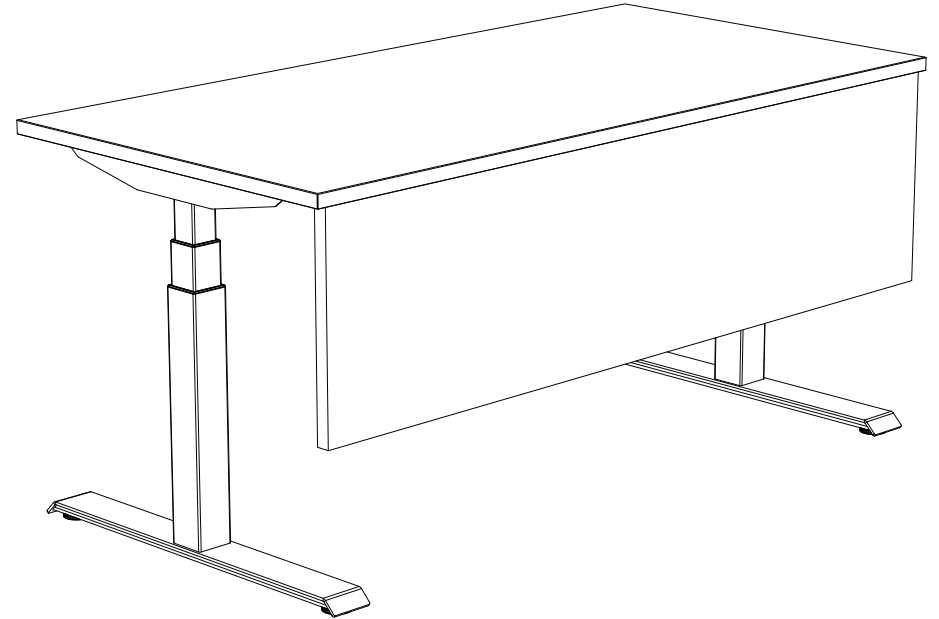
Bracket Attachment Template

Identify whether you have a Decorative Acoustic Panel or HPL Panel, then fold at the corresponding dotted line. Make a small hole in paper at the center of markings before aligning it on the table.



Modesty Panels

Assembly Instructions



ergoCentric®

ph: 1 866 GET ERGO (438-3746) | 905 696-6800

fx: 1 800 848-5190 | 905 696-0899

service@ergocentric.com

ergocentric.com

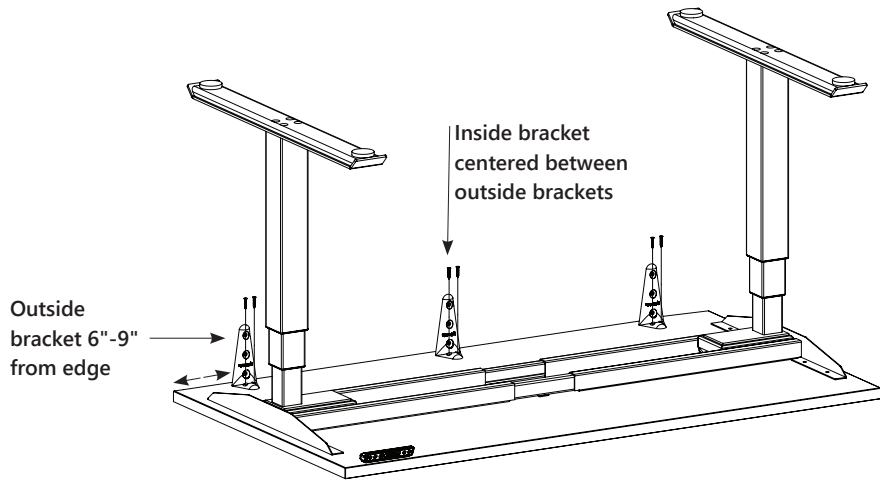
ergoCentric® is a registered trademark of ergoCentric Inc.

ergoCentric®

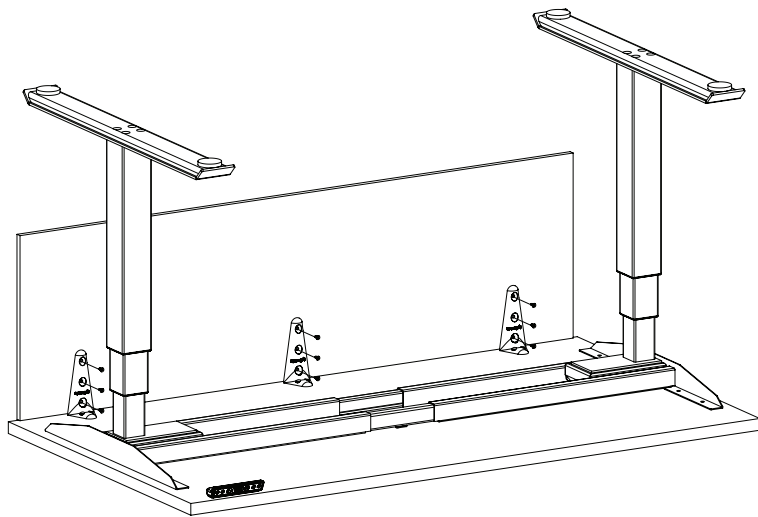
The science of sitting®

Decorative Acoustic Panel

Step 2: Install L Brackets (1) to underside of tabletop in marked locations using #8X1" Flathead Wood Screw (2).

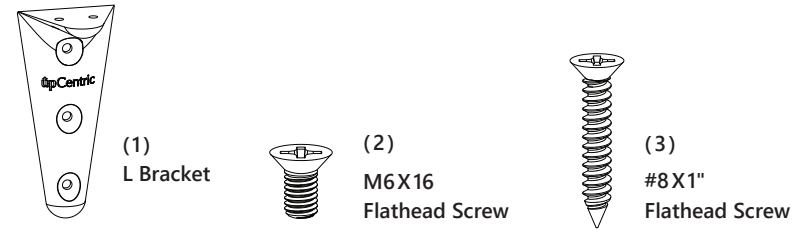


Step 3: Place acoustic panel on underside of table surface. Center modesty panel left to right, and attach acoustic panel to L brackets using #8 X 1/2" Flathead Wood Screws (3).



HPL Modesty Panels

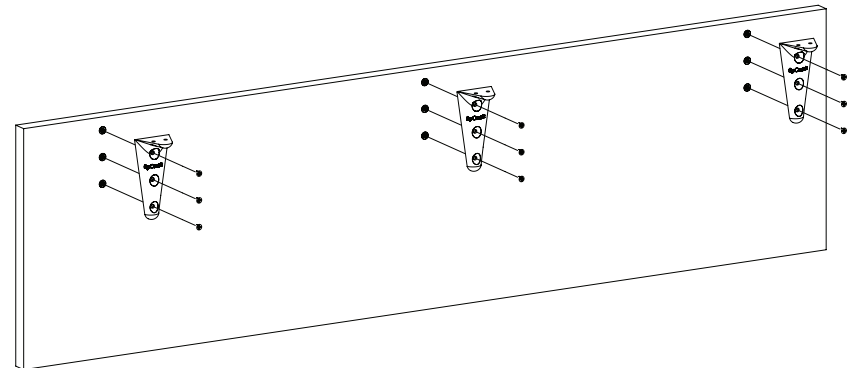
Parts



NOTE: For easy installation, modesty panels should be installed on the table when the table is upside down during table assembly. If installing a modesty panel onto an existing/upright table, two people may be required.

Assembly Instructions

Step 1: Install L brackets (1) onto modesty panel using M6X16 Flathead Screws (2).

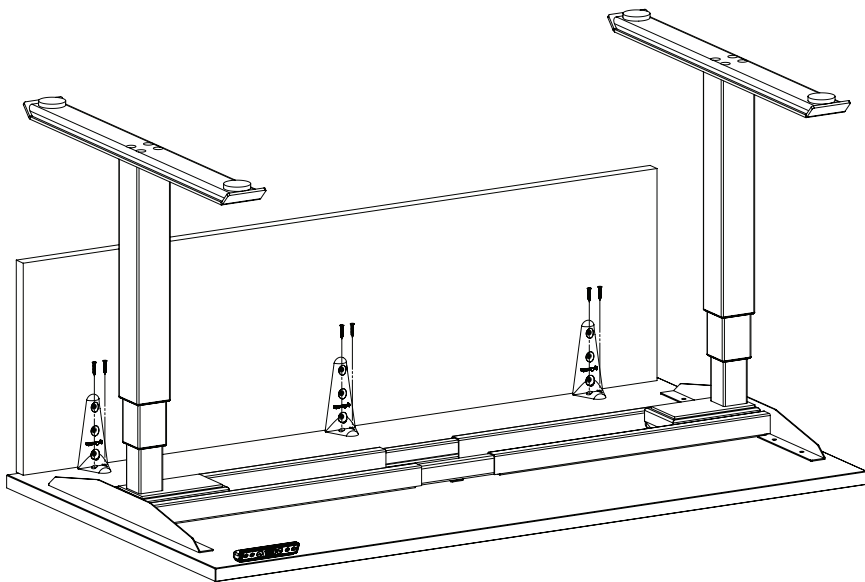


HPL Modesty Panels

Step 2: Use template (on back page) to mark correct distance from edge for bracket assembly.

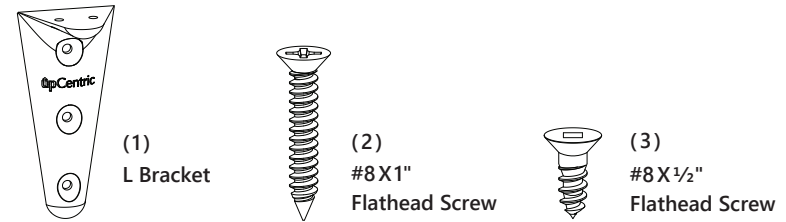
Step 3: Place modesty panel on underside of table surface. Center modesty panel left to right, and align holes in L brackets with the line marked using template. Install modesty panel using #8X1" Flathead Wood Screws (2).

NOTE: If the modesty panel makes flipping the table over more difficult, the modesty panel can be removed from the L brackets and reinstalled once the table is right side up.



Decorative Acoustic Panel

Parts



NOTE: For easy installation, modesty panels should be installed on the table when the table is upside down during table assembly. If installing a modesty panel onto an existing/upright table, two people may be required.

Assembly Instructions

Step 1: Use template (on back page) to mark correct installation locations for L Brackets (1).

- I. Use template to mark Hole Depth in relation to the back edge.
- II. Outside brackets should be positioned between 6" and 9" from the corners of the tabletop, avoiding any obstructions from table frame, grommet holes or accessories attached to tabletop.
- III. Inside brackets should be centered between outside brackets. Single inside brackets should be centered. Two inside brackets should be evenly spaced between outside brackets.

Note: Move left or right if necessary for avoiding any obstructions.