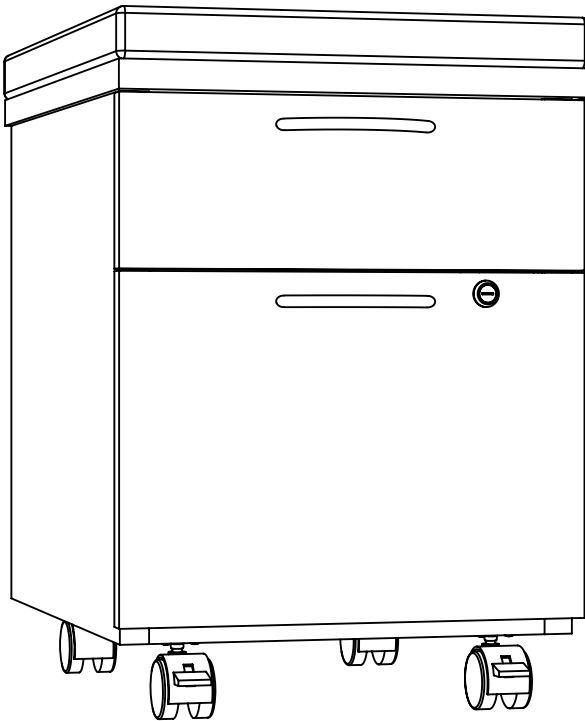


Pedestal Casters

Assembly Instructions



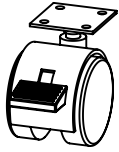
ergoCentric®
The science of sitting®

Pedestal Casters

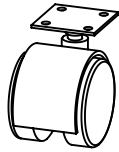
Parts



(1)
#8 X 3/4"
Philips Pan Head
Wood Screw



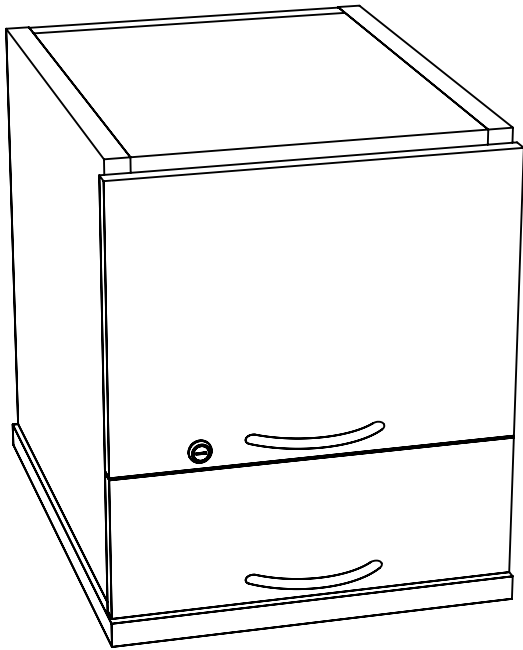
(2)
Locking
Caster



(3)
Non-locking
Caster

Assembly Instructions

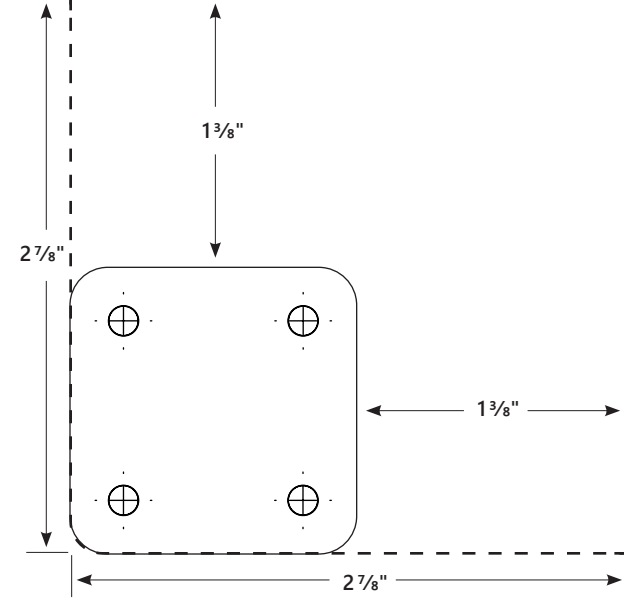
Step 1: Turn pedestal upside down, making sure drawers are empty first.



Pedestal Casters

Template

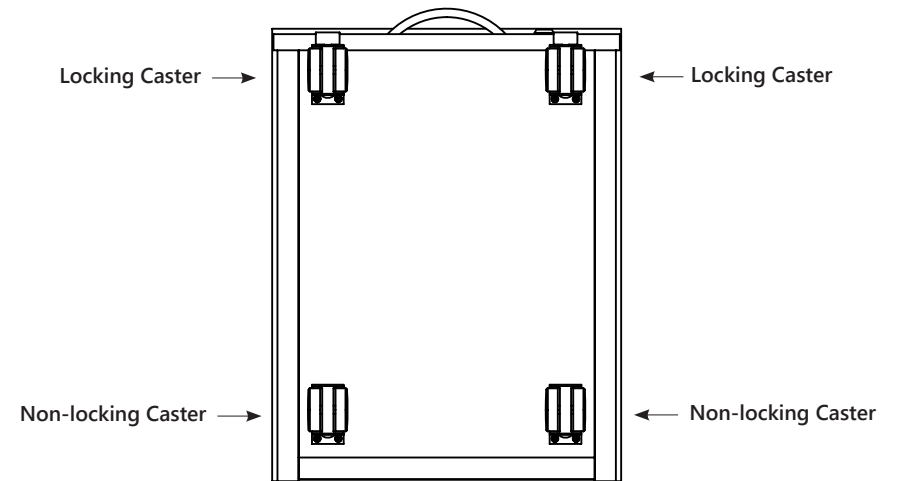
Cut at the corresponding dotted line. Make a small hole on the paper at the center of markings before aligning it on the pedestal.



Step 2: Use template or dimensions to make markings on the pedestal, then line up casters in corners of the pedestal.

Step 3: Install each caster using four wood screws (1).

Note: Install locking casters in front (2) and non-locking casters (3) at the back.



ergoCentric®

ph: 1 866 GET ERGO (438-3746) | 905 696-6800

fx: 1 800 848-5190 | 905 696-0899

service@ergocentric.com

ergocentric.com