



# CDN Federal Government Workspaces Supply Arrangement

---

## PRICE BOOK – CANADA

Effective March 31<sup>st</sup>, 2024

Version 2 - November 26, 2024

E60-PQ140003/23

For most up-to-date pricing,  
refer to our online price guides:  
[ergocentric.com/dealers](http://ergocentric.com/dealers)

**ergoCentric**<sup>®</sup>  
The science of sitting<sup>®</sup>

# Table of Contents

<b>Overview</b>	<b>3</b>		
About ergoCentric	3		
ergoCentric Advantages	4	<b>Accessories</b>	<b>64</b>
Terms and conditions	5		
Warranty	6	<b>Zgonic Monitor Arms</b>	65
Sustainability	7	Code Guide	66
Lead Time	8	ZG Series Monitor Arms	67
Freight Policies	8	ZPX Series Monitor Arms	68
		Monitor Arm Accessories	69
		Zdock	74
		ZG Series Product Builder	75
		ZPX Series Product Builder	76
<b>Tables and Desks</b>	<b>9</b>		
Table and Desk Lines	10		
Tabletop Specifications	11		
<b>upCentric Height Adjustable Desks</b>	13	<b>upCentric single and dual monitor arm</b>	77
Desk Types	15	Screen Support	78
Grommet Placements	17		
How to order Rectangular Height Adjustable Desks	19	<b>Fixed Height Meeting Tables - Small</b>	80
2LV Rectangular Desks	20	How to order	81
UP-ES Rectangular Desks	21	Fixed Height Meeting Tables - Small	81
How to order L-shaped Height Adjustable Desks	22		
L-shaped Desks(3L)	23	<b>Training Tables</b>	82
How to order 120° V-shaped 3-Leg Desks	32	How to order	83
120° V-shaped 3-Leg Desks	32	Training Tables	84
<b>upCentric Height Adjustable Tables</b>		<b>upCentric Cable Management Solutions</b>	86
<b>Technical Specs and Options</b>	33	Cable Management Solutions	87
UP-ES	34		
UP-2LV	35	<b>Replacement Parts</b>	<b>89</b>
UPMOD-2LV	36	upCentric replacement parts	90
UP-3L	37		
UPMOD-3L	38		
<b>Fixed Height Desks</b>	39		
How to order	40		
Fixed Height 2L Training Room Tables	41		
Post Leg Work Desks	42		
<b>Divider Panels</b>	<b>43</b>		
How to order	44		
Panel Material Options	45		
Panel Mounts Options and Guidelines	47		
<b>Privacy Panels</b>	52		
<b>Framed Privacy Panels</b>	55		
<b>Modesty Panels</b>	59		
<b>Modesty+Privacy Panels</b>	62		

# About ergoCentric

ergoCentric's mission is to design and manufacture the best ergonomic chairs and workstations in the world, and we are recognized as North America's premier manufacturer of high-quality ergonomic seating for office, specialty and healthcare environments.

Our mission is supported by two guiding principles, the assurance that the task chair properly fits the individual using it, and by ensuring the lowest possible cost of ownership over the full life of the chair.

Many of our adjustment features are unique to ergoCentric and were created in response to our customers' needs. Available adjustment features include back height, lumbar depth, back angle, seat height, seat angle, seat depth and tension adjustments, highly adjustable arms and headrest.

## upCentric®

upCentric, a core brand of ergoCentric Inc., provides essential desking and accessories, power management and storage solutions for ergonomic workstations.

The demand for height adjustable work surfaces continues to grow and upCentric offers a high quality, low-cost and easy-to-install solution, as a complement to our ergonomic seating systems.

With upCentric Cable Management and Power Data Rail solution, open concept office can keep a clean and low-profile design with cords, power and data running properly under the hood.

## We're here to help

We strive to maintain complete customer satisfaction and to accomplish this, we aim to develop useful tools to help everyone who selects and uses our products.

ergoCentric.com contains many updated tools to keep you fully informed about our product details, adjustment videos, finish selections and much more.

Our Inside Sales team are available Monday through Friday to assist you. If you have any questions about navigating this book or what best suits your environment, please contact us [1 866 GET ERGO](tel:1866GETERGO) or [service@ergocentric.com](mailto:service@ergocentric.com)

# ergoCentric Advantages

## Ergonomic design - improve health and productivity

Since its inception in 1990, ergoCentric has been dedicated to designing and manufacturing the best ergonomic seating in the world. Our patented ergonomic features and high level of customizability meets the increasing demand of ergonomic requirements in the workplace. upCentric electric height adjustable desks allow workers to easily alternate between seated and standing positions throughout the work day to reduce stress and tension and to improve circulation throughout the body.

## Aesthetics – create a clean, safe and positive working environment

ergoCentric tables and accessories have a cohesive design in order to work together as a system. Whether it is height adjustable, fixed height, large or small, folding or portable, our streamlined table design means a cohesive look and feel throughout the space. Our tables are designed to be used in conjunction with ergoCentric Seating, creating an ideal working environment while increasing comfort, health and productivity.

## Quality – minimize maintenance and replacement cost

Recognized as North America's premier manufacturer of high-quality ergonomic seating for office, specialty and healthcare environments, our products are built to last and exceed the strength and stability standards. The sturdy upCentric frame accommodates a variety of tabletop widths making retrofitting existing table tops an economical option.



# Terms and Conditions of Sale

## 1. PRICES AND TERMS

Prices are suggested list and are subject to change without notice. Orders will be invoiced subject to prices prevailing at time of shipment F.O.B. factory. Terms are net 30 days from date of invoice. We reserve the right to withhold shipment of orders due to customer's failure to provide current credit information or failure to pay past due invoices. A late payment penalty of 1.5% per month will be charged for accounts over 30 days.

## 2. CHANGE/CANCELLATION

Customer's cancellation and/or change to orders must be confirmed in writing and will be accepted subject to our ability to conform within **one week** of the acknowledged purchase order. Cancellations or changes will not be accepted if manufacturing is in process or merchandise has been shipped in compliance with customer's original order. A **restocking fee of 25%** may be applied for cancellations occurring beyond the aforementioned week timeline.

## 3. RETURNS

Return authorization (RA) is required for all returned merchandise. To obtain an RA number, please contact your Inside Sales Representative. Only packages that have RA number clearly indicated on the outside of the box will be accepted by ergoCentric Seating Systems. Shipping must be prepaid and ergoCentric Seating Systems reserves the right to charge an additional restocking fee. Merchandise must be received in excellent condition and damaged returns will be subject to an additional charge. Custom fabricated merchandise cannot be returned for credit.

## 4. SHIPPING

All delivery dates quoted are approximate. Orders may be subject to delay due to failure or delay from source of supply, transportation difficulties, or other causes beyond our control. Longer lead times may be expected for larger orders.

## 5. FREIGHT POLICIES

See page 9 for freight rates.

## 6. SHIPPING CLAIMS

All shipments are packed in compliance with common carrier requirements. Shipment is the customer's responsibility after leaving our shipping dock. Customer must note all visible damage to cartons and/or carton shortages immediately upon receiving shipment and direct all claims within 5 days to the transportation company making delivery.

## 7. RECEIVING

Special receiving arrangements must be specified in advance on customer's P.O. and covered at the customer's expense.

## 8. STORAGE

When the customer's order is ready for shipment and the customer is unwilling or unable to accept delivery, we reserve the right to invoice at that time and transfer the shipment to storage at the customer's risk and expense.

## 9. REDELIVERY CHARGES

All redelivery costs incurred will be charged to the customer if the original delivery was made in accordance with the customer's purchase order.

## 10. NOTICE OF CLAIM

Please inspect all deliveries and notify us in writing of any deficiency or departure from the terms of our agreement. Unless we receive from you a written notice of claim within 10 days following delivery you will be deemed to have waived any claim to the contrary.

## 11. MEASUREMENTS

Though every effort has been made to make product measurements as precise as possible, they must be considered approximate.

## 12. MISCELLANEOUS

Due to variations in materials and colour shades of which we have no control, all products are sold subject to minor variations or irregularities in colour, texture and grain.

**We reserve the right to make technical changes in design without prior notice according to latest developments.**

# Warranty

ergoCentric Seating Systems hereby warrants all of its tables and accessory products against defects and functional failure of materials. These warranties shall not apply to any products which must be replaced because of normal wear and tear, negligence, abuse or accident, shipping damage, or product use other than in accordance with written instructions and warnings. ergoCentric makes no warranty that any of its products are suitable for any particular purpose and makes no other warranties, expressed or implied, other than those set forth herein. In no event shall ergoCentric be liable in either tort or contract for any loss or direct, special, incidental, consequential or exemplary damages. This warranty is based on the use during an eight hour work day.

## Warranty claims

ergoCentric will repair or replace any product or materials, covered by this warranty, found to be defective or inferior within the warranted period. This warranty includes the cost of labor and shipping. Claims are to be made directly to ergoCentric or to the authorized representative from whom the product was purchased. Product or materials, for which a claim has been made, must be made available for inspection by an authorized ergoCentric representative.

## Limit of warranty

These warranties shall be valid only during the term of these warranties; and while the products herein warranted are in the possession of the original purchaser. The original purchaser shall mean the party which first purchased the products for its own use whether from ergoCentric or an authorized ergoCentric representative.

Product	Warranty
upCentric height adjustable desks Fixed height desks and Meeting Tables Training Tables	12 years - 7 years on electronics and moving parts
Ergonomic Accessories - CPU holders Divider Panels	5 years
upCentric Monitor Arms and Laptop Supports Electric and Data Products (Power Bars, Docks, LED Lamp, Wireless Charger) Cable Management Basket	3 years
Vertical Cable Management Sleeve and Spine	2 years

# Sustainability

## ENVIRONMENTAL POLICY STATEMENT

At ergoCentric, we believe that the preservation of the environment is one of the most important issues facing the furniture industry today.

As a producer of high-quality ergonomic furniture, ergoCentric's commitment to environmental protection is a natural outgrowth of our concerns for workplace health and safety. Accordingly, environmental initiatives are an integral part of our corporate culture.

ergoCentric management systems are designed to ensure the integration of all applicable governmental as well as internal environmental, health and safety requirements into our business processes. As a result we have earned the ISO 14001 international standard for environmental management systems.

In cooperation with our suppliers, customers and employees, we continually strive to achieve industry leadership by including refurbishing and recycling as formal design considerations and as a part of our business model. Our build-to-order business model increases efficiency and eliminates waste by ensuring that each seating system produced has a buyer and that it is the right long term solution for that buyer.

The modular designs of ergoCentric furniture allow parts to be easily interchanged to meet user requirements long into the future, ensuring less waste goes to landfill sites. As well, water-based glues are used in upholstery processes protecting the environment and employees from harmful emissions.

As new technologies evolve, so will the way we do things. Environmental concerns will continue to influence what we do and how we do it.

## GREENGUARD®

GREENGUARD Gold Certification for Indoor Air Quality presents the most stringent emissions criteria for office furniture products, and **meets the requirements of LEED credit 4.5 and the BIFMA X7.1 Conformance standard** for testing and qualifying low-emitting materials.



## LEVEL®

LEVEL is the multi-attribute, sustainability standard and third-party certification program for the furniture industry. It has been created to deliver the most open and transparent means of evaluating and communicating the environmental and social impacts of furniture products in the built environment. Only products carrying the LEVEL name have been certified by the third-party auditing firm that has used the BIFMA e3 Sustainability Standard.

LEVEL takes into account how a product is sustainable from multiple perspectives, including a company's social actions, energy usage, material selection and human and ecosystem impacts. When combined with our ISO 14001 certification, LEVEL, under the BIFMA e3 Furniture Sustainability Standard, provides the optimal solution for the dynamic furniture requirements of large organisations.



ergoCentric has received GREENGUARD Certification for Indoor Air Quality for all of its furniture series and is continually working to add new chair series' to the GREENGUARD certification program as required.

For more information on ergoCentric GREENGUARD & LEVEL certified products, please visit [www.greenguard.org](http://www.greenguard.org), [www.levelcertified.org](http://www.levelcertified.org) or [www.ergocentric.com](http://www.ergocentric.com).



# Lead Time

All ergoCentric furniture orders have a 4-6 weeks lead time, with the exception of:

- Accessories-only orders (pedestals excluded), 10-day lead time

Non-standard products or custom orders may incur longer lead times. Consult with your sales representative for more information.

# Freight Policies



## Tables and Desks

Province	Min. Charge	Shipments \$10,000 list and under	Shipments over \$10,000 list
Western Canada (BC, AB, SK, MB)	\$189	5% of list	Call for quote
Ontario/ Quebec	\$162	4% of list	Call for quote
Atlantic Canada (NL, NS, PE, NB)	\$215	6% of list	Call for quote
Northern Canada (YT, NT, NU)	Call for quote		

## Accessories and/or Panels only:

Province	Min. Charge	Shipments \$7,000 list and under	Shipments over \$7,000 list
Western Canada (BC, AB, SK, MB)	\$33	2.5% of list	Free shipping
Ontario/ Quebec	\$22	2% of list	Free shipping
Atlantic Canada (NL, NS, PE, NB)	\$43	3% of list	Free shipping
Northern Canada (YT, NT, NU)	Call for quote		

Note: Shipping is free for all upCentric Monitor arms regardless of the quantity or type ordered.





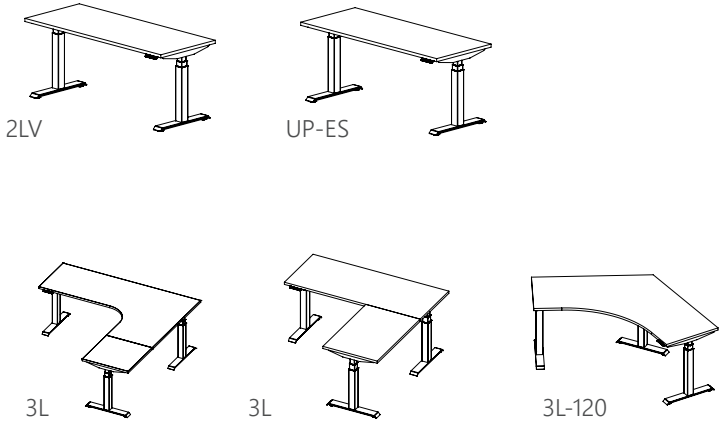
upCentric L-shape Desk and upCentric dual monitor arms

# Tables and Desks

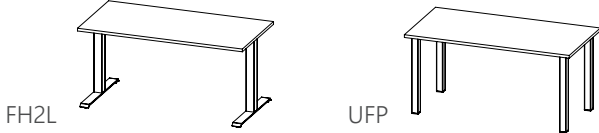
## Category 2 - Work Surface Products

# Table and Desk Lines

## upCentric Height Adjustable Desk



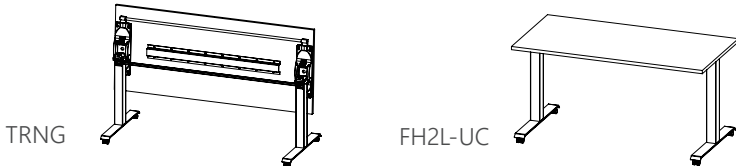
## Fixed height desk



## Fixed Height Meeting Tables - Small



## Training Tables



# Tabletop Specifications

## Frame Finish Options



Silver



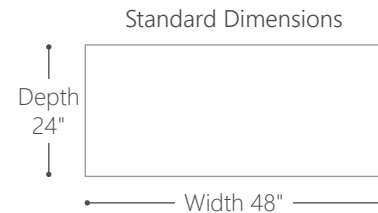
Black



White

## Tabletop Dimensions

- All standard tabletop sizes are exact to printed dimensions
- Tabletop sizes have an allowable tolerance of up to +/- 1/4"



### Non-standard Options come with a \$108 List upcharge per line item:

- 1" increment sizes between standards 6" increment sizes
  - ◊ To order non-standard sizes, use actual required dimensions in code, eg. 29" x 71" table = FH2L-29-29X71-XX-XX
  - ◊ Pricing for non-standard dimensions are equal to prices for next largest standard tabletop size
  - ◊ Dimensions must be in 1" increments (not fractions of inches)
- Non-matching edge band (i.e. black edge band with Asian Night laminate, or Light Grey edge band with White Laminate, etc)

### "Custom" table shape, size or cut – \$269 list upcharge per line item:

- Grommet holes different than those shown in the price book
  - ◊ Different locations, shapes or sizes – anything from moving a listed grommet location by 1 inch to adding a custom grommet hole for their own supplied equipment
- Any changes to tabletop dimensions (other than non-standard size changes in 1" increment adjustments) will require a drawing to be created and approved before placing an order
- Changes to shapes
  - ◊ Radius on corners (i.e. "1" radius corners instead of 90° corners)
  - ◊ Radiuses on edges (i.e. a concave or convex curve on front edge)
  - ◊ Other custom shapes that will still work with our frames/fit within a standard listed size

\* A drawing needs to be created, and approved by the customer before entering the order

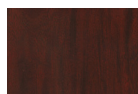
\*\* Once order is entered, changes cannot be guaranteed, and sale is final (cannot be cancelled or returned)

## High Pressure Laminates [HPL]

- HPL Laminate surfaces are 1" Thick, made with 45 LBS Particle Board and are available in 10 finishes



23 Wild Cherry



24 Figured Mahogany



27 Black



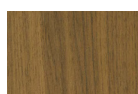
28 Designer White



31 Charcoal



37 Manitoba Maple



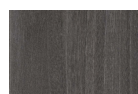
38 Sap Walnut



39 White Cypress



41 Light Grey

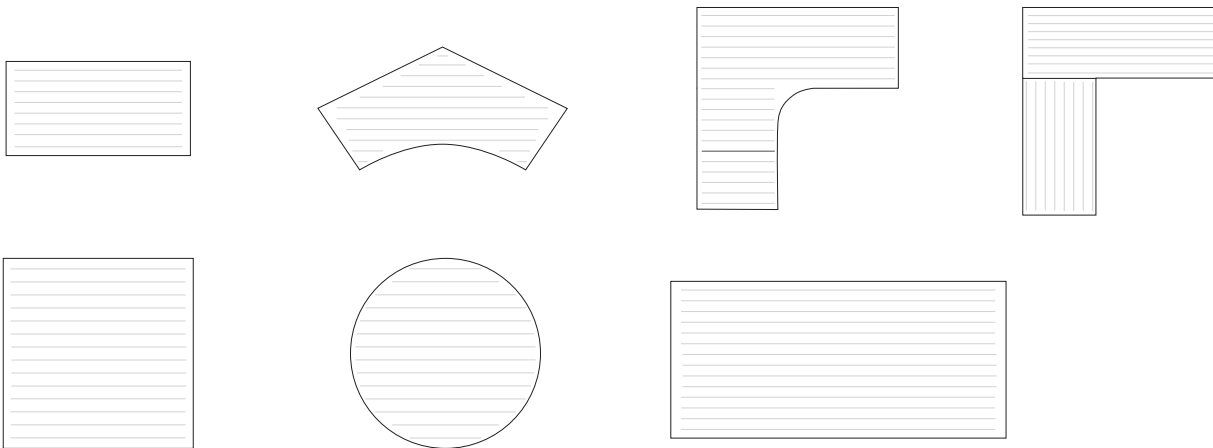


42 Graphite Wood

# Tabletop specifications

## Wood Grain Patterns

- The direction of the grain on all wood grain Laminate Tabletops runs horizontally, as shown.
- Grain pattern direction cannot be changed



## Tabletop Edges

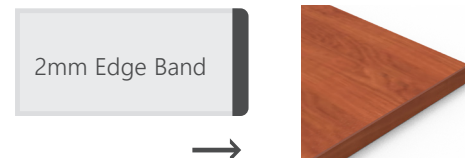
- Edge Band: 2mm thick
- Edge Colour: Finish Match, or Choice of 12 colours
- Edge Corners: 90° is the standard corner option (-90)

Note:

Edge Colour Options:

- Finish Match Edge (-FM)
- Choice Finish Edge (-XX)

Select from one of the finishes on page 13



## 3" Grommet Holes

- Standard for height adjustable desks and Fixed height desks
- Standard placement grommet holes are no upcharge, see the code for different positions in each table category.
- 3" grommet holes can be added in the field by end users, ergoCentric will not provide that service but can provide grommet covers for a \$11 list upcharge
- Non-standard grommet shapes and positions require a drawing with purchase order to show placement of grommet holes and will incur a \$269 list upcharge.





Silver cable management basket, cable management spine and upCentric monitor arms

# upCentric® Height Adjustable Desks

# upCentric Height Adjustable Desk Specification Sheet

	2LV RECTANGULAR DESKS	ES RECTANGULAR DESKS	L-SHAPE DESKS (3L)	120° V-SHAPE 3-LEG DESKS
Size range	24"d x 30"w - 36"d x 84"w	24"d x 42"w - 30"d x 72"w	Main section: 48"- 96" Extension: 42" - 96" Depth: 24", 30"	24" Depth: 36" - 54" 30" Depth: 36" - 42"
Height range	22.6" - 48.9" (include 1" tabletop)			
Weight capacity*	230 - 180 lbs	194 -163 lbs	375 - 290 lbs	350 - 330 lbs
Table weight **	92 - 159 lbs	85 - 122 lbs	185 - 270 lbs	155 -180 lbs
Assembly time	15-25 minutes	10-15 minutes	20-30 minutes	20-30 minutes
Travel speed	1.6" per second			
Digital memory control buttons	4-Position memory			
Electric timotion® motors	2 Motors	2 Motors	3 Motors	3 Motors
Max power draw***	180 W	180 W	280 W	280 W
Standby power draw	<0.1 W			
Sound level	39 dB			
Frame finish	Silver, Black, White	Silver, Black, White	Silver, Black, White	Silver, Black, White
Power cord length	118"			
Anti-collision gyro sensor	Standard			
One-touch adjustment preset	Standard			
Casters available	Available	Available	Not Available	Not Available
Parallel connectivity	Available	Not Available	Available	Available
Changeable inch or cm height display	Yes			
Settable min/max heights	Yes			
Certification	CSA/UL Listed   BIFMA G1   BIFMA X5.5   BIFMA e3 Level 2   GREENGUARD Gold®			

\* The weight capacity of a table is determined by the max weight the frame can hold minus the weight of the table top.

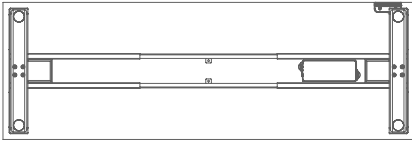
\*\* The weight of a table is the sum of the weight of the frame and the table top.

\*\*\* This is the Maximum Power Draw that the frame will draw when being adjusted upward under maximum rated load.  
This is not the average Power Draw.

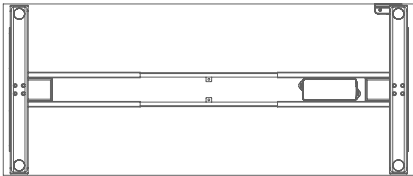
# Desk size and frames

## Available height adjustable desk configurations

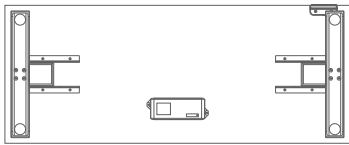
[ UP-2LV-22 ]  
2-Leg Expandable  
Min: 22"d x 44"w Max: 28"d x 84"w



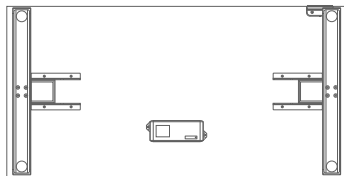
[ UP-2LV-29 ]  
2-Leg Expandable  
Min: 29"d x 44"w Max: 36"d x 84"w



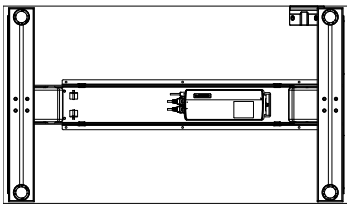
[ UPMOD-2LV-22 ]  
2-Leg Modular  
Min: 22"d x 30"w Max: 28"d x 47"w



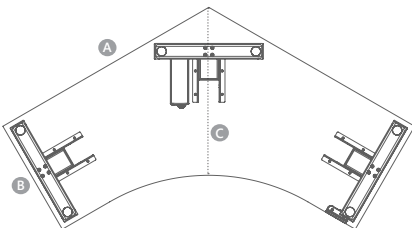
[ UPMOD-2LV-29 ]  
2-Leg Modular  
Min: 29"d x 30"w Max: 36"d x 47"w



[UP-ES]  
2-Leg Expandable  
Min: 24"d x 42"w Max: 30"d x 72"w



[UPMOD-3L-120]  
3-Leg Modular | 120° Corner  
Min: 42"w x 24"d x 35"l 48"w x 24"d x 40"l



A	B	C
36	24	33 5/8
42	24	35 1/4
48	24	36 7/8
54	24	38 1/2
36	30	39 5/8
42	30	41 1/4

Rectangular tabletops are mountable to upCentric 2LV, 2L and 2LMOD Frames only. For tabletops with depths of 22"-28", frame feet are 22" long. For tabletops with depths of 29"-36", frame feet are 29" long.

120° wing-shape 3-Leg tables: frame feet are 22" long.

# Desk size and frames

## Available height adjustable desk configurations

[ UP-3L ]

3-Leg Expandable | Left or Right

Min: 48" (A) x 48" (B) Max: 96" (A) x 96" (B)

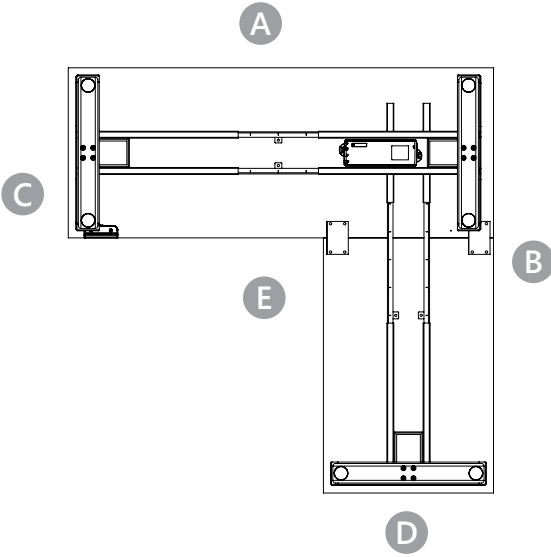
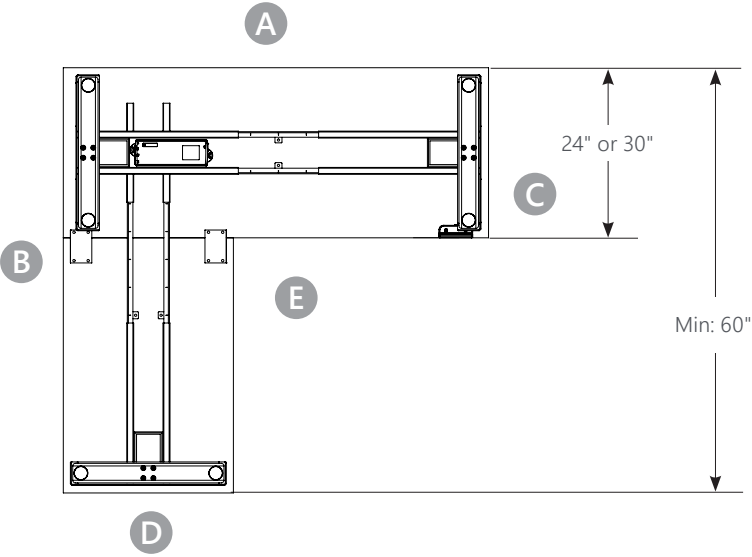
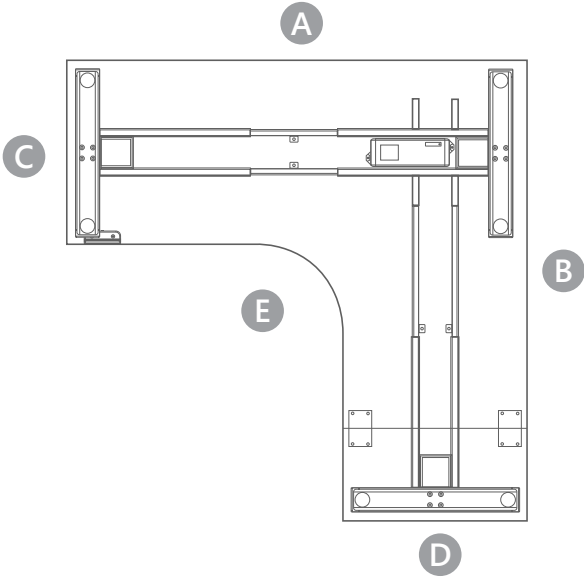
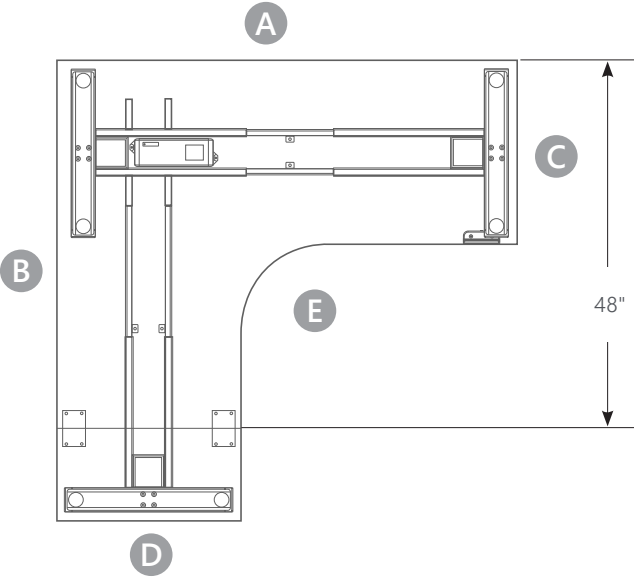
A: 48" - 96" (in 6" increments)

B: 48" - 96" (in 6" increments, except 54" is not available due to the stability.)

C: 24", 30"

D: 24", 30"

E: 11 (rounded). Option: 90 (right angle, not available for B=48")

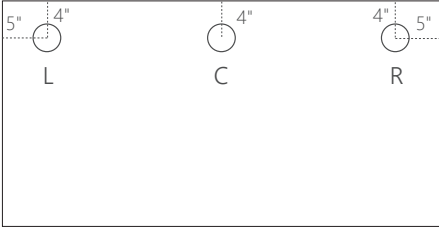


L-Shape tabletops are mountable to upCentric 3L Frames.

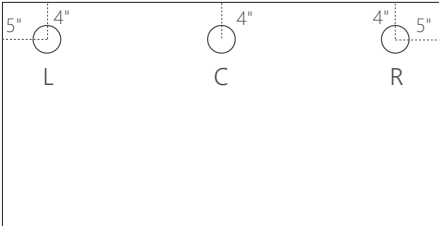


# Grommet Placements

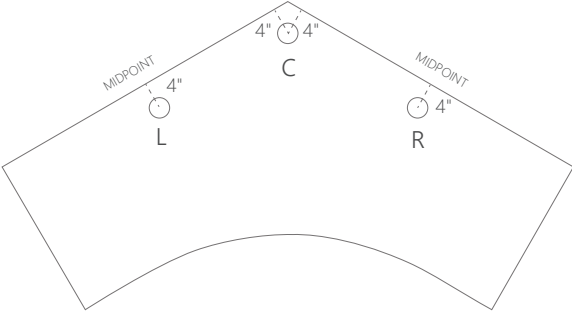
## 2LV Tabletops



## 2L Tabletops



## 120° V-shape Tabletops

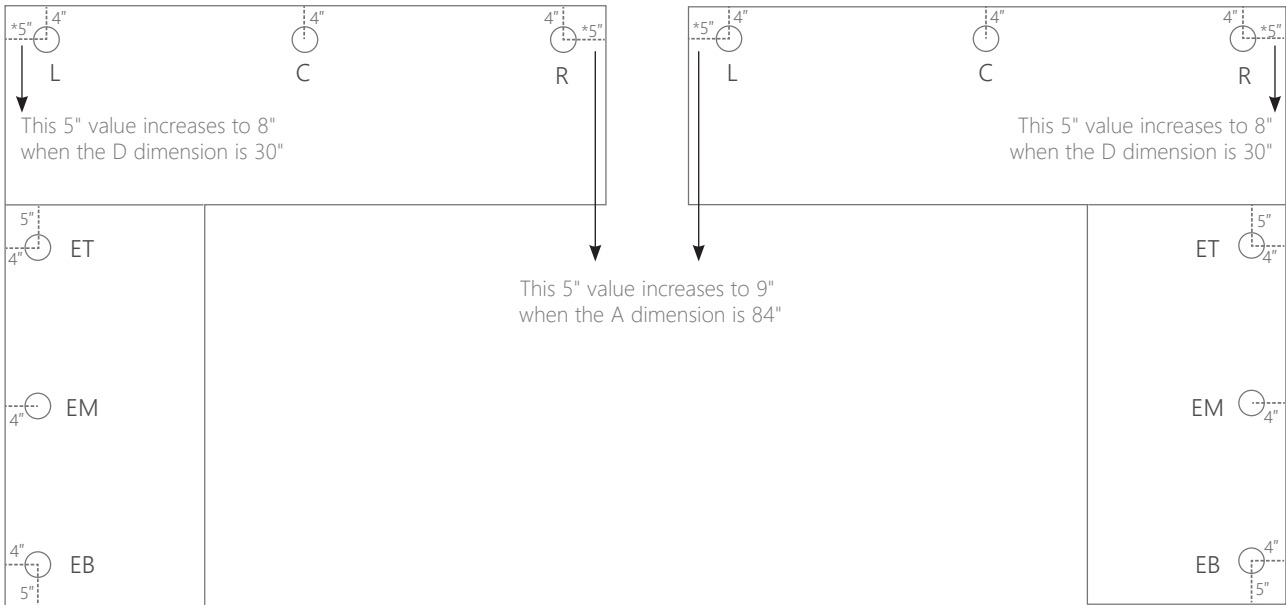
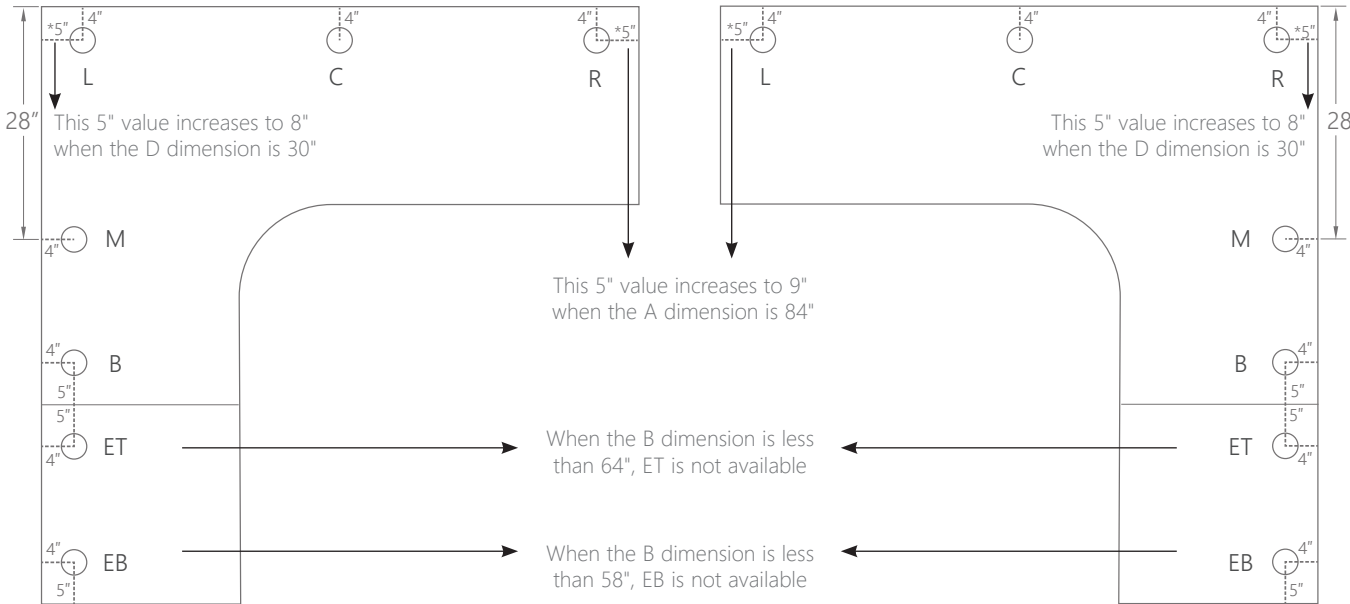


**Notes:**

- Standard placement grommet holes are no upcharge, see the code for different positions.
- 3" grommet holes come with black plastic grommet cover
- Non-standard grommet shapes and positions require a drawing with purchase order to show placement of grommet holes and will incur a **\$269** list upcharge.

# Grommet Placements

## 3L Tabletops



**Notes:**

- Standard placement grommet holes are no upcharge, see the code for different positions.
- 3" grommet holes come with black plastic grommet cover
- Non-standard grommet shapes and positions require a drawing with purchase order to show placement of grommet holes and will incur a **\$269** list upcharge.

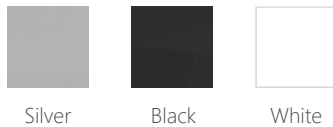
# How to order rectangular height adjustable desks

TABLE CODE						LIST PRICE
FRAME TYPE	FRAME COLOUR	SIZE (in.) (AxB)	FINISH	EDGE COLOUR	GROMMET HOLES	PRICE
Ex. CGSA-2LV-22 -	SLIVER -	24 x 48 -	21 -	FM -	LR	\$1,825
UP-2LV-22						
CGSA-2LV-22 -	xxxxx -	24 x 48 -	xx-	xx-	xx	\$1,825
CGSA-2LV-22 -	xxxxx -	24 x 54 -	xx-	xx-	xx	\$1,861
CGSA-2LV-22 -	xxxxx -	24 x 60 -	xx-	xx-	xx	\$1,896
CGSA-2LV-22 -	xxxxx -	24 x 66 -	xx-	xx-	xx	\$1,932
CGSA-2LV-22 -	xxxxx -	24 x 72 -	xx-	xx-	xx	\$1,968
CGSA-2LV-22 -	xxxxx -	24 x 78 -	xx-	xx-	xx	\$2,005

- 1
- 2
- 3
- 4
- 5
- 6

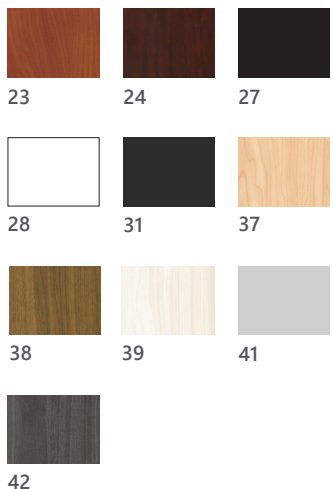
1 Select frame type

2 Select frame colour



3 Choose tabletop size

4 Select laminate finish



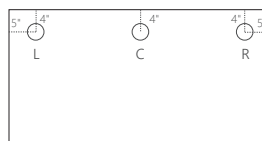
5 Select edge band finish

Edge Band	
Finish Match Edge	-FM
Choice Match Edge*	-XX

\* Select from one of the finishes in step 4

6 Add grommet holes to work surface

See page 17 for the options of grommet placements.



Notes: The upCentric vertical Cable Management Sleeve is included with Height adjustable desks. Please see page 88 for details.

# 2LV

## Rectangular Desks

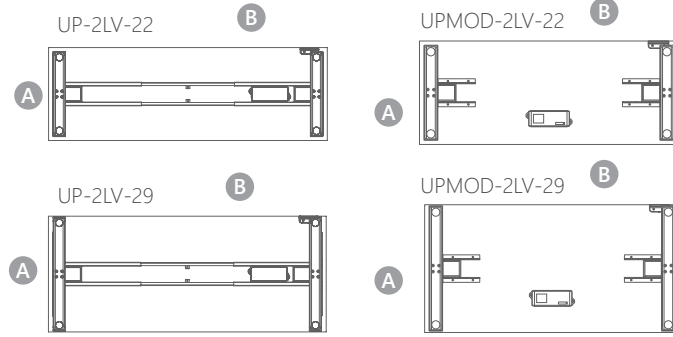


TABLE CODE							LIST PRICE	2LV DESKS	
FRAME TYPE	FRAME COLOUR	SIZE (in.) (AxB)	FINISH	EDGE COLOUR	GROMMET HOLES	PRICE	WEIGHT CAPACITY (LB)	TABLE WEIGHT (LB)	
Ex. CGSA-MOD-2LV-22-	SILVER -	24 x 30 -	21 -	FM -	LR	\$1,908	181	92	
<b>UPMOD-2LV-22</b>									
CGSA-MOD-2LV-22 -	xxxxx -	24 x 30 -	xx-	xx-	xx	\$1,908	181	92	
CGSA-MOD-2LV-22 -	xxxxx -	24 x 36 -	xx-	xx-	xx	\$1,908	177	96	
CGSA-MOD-2LV-22 -	xxxxx -	24 x 42 -	xx-	xx-	xx	\$1,908	173	100	
<b>UP-2LV-22</b>									
CGSA-2LV-22 -	xxxxx -	24 x 48	xx-	xx-	xx	\$1,943	190	103	
CGSA-2LV-22 -	xxxxx -	24 x 54	xx-	xx-	xx	\$1,979	186	107	
CGSA-2LV-22 -	xxxxx -	24 x 60	xx-	xx-	xx	\$2,014	182	111	
CGSA-2LV-22 -	xxxxx -	24 x 66	xx-	xx-	xx	\$2,050	178	115	
CGSA-2LV-22 -	xxxxx -	24 x 72	xx-	xx-	xx	\$2,086	174	119	
CGSA-2LV-22 -	xxxxx -	24 x 78	xx-	xx-	xx	\$2,123	171	122	
CGSA-2LV-22 -	xxxxx -	24 x 84	xx-	xx-	xx	\$2,159	167	126	
<b>UPMOD-2LV-29</b>									
CGSA-MOD-2LV-29 -	xxxxx -	30 x 30 -	xx-	xx-	xx	\$1,979	176	103	
CGSA-MOD-2LV-29 -	xxxxx -	30 x 36 -	xx-	xx-	xx	\$1,979	171	108	
CGSA-MOD-2LV-29 -	xxxxx -	30 x 42 -	xx-	xx-	xx	\$1,979	167	112	
CGSA-MOD-2LV-29 -	xxxxx -	36 x 36 -	xx-	xx-	xx	\$1,979	166	113	
CGSA-MOD-2LV-29 -	xxxxx -	36 x 42 -	xx-	xx-	xx	\$1,979	160	119	
<b>UP-2LV-29</b>									
CGSA-2LV-29 -	xxxxx -	30 x 48	xx-	xx-	xx	\$2,014	182	117	
CGSA-2LV-29 -	xxxxx -	30 x 54	xx-	xx-	xx	\$2,060	177	122	
CGSA-2LV-29 -	xxxxx -	30 x 60	xx-	xx-	xx	\$2,106	173	127	
CGSA-2LV-29 -	xxxxx -	30 x 66	xx-	xx-	xx	\$2,150	168	131	
CGSA-2LV-29 -	xxxxx -	30 x 72	xx-	xx-	xx	\$2,195	163	136	
CGSA-2LV-29 -	xxxxx -	30 x 78	xx-	xx-	xx	\$2,241	158	141	
CGSA-2LV-29 -	xxxxx -	30 x 84	xx-	xx-	xx	\$2,286	154	146	
CGSA-2LV-29 -	xxxxx -	36 x 48	xx-	xx-	xx	\$2,169	174	125	
CGSA-2LV-29 -	xxxxx -	36 x 54	xx-	xx-	xx	\$2,332	169	130	
CGSA-2LV-29 -	xxxxx -	36 x 60	xx-	xx-	xx	\$2,462	163	136	
CGSA-2LV-29 -	xxxxx -	36 x 66	xx-	xx-	xx	\$2,513	157	142	
CGSA-2LV-29 -	xxxxx -	36 x 72	xx-	xx-	xx	\$2,558	152	147	
CGSA-2LV-29 -	xxxxx -	36 x 78	xx-	xx-	xx	\$2,598	146	153	
CGSA-2LV-29 -	xxxxx -	36 x 84	xx-	xx-	xx	\$2,632	140	159	

**Notes: The upCentric vertical Cable Management Sleeve is included with Height adjustable desks. Please see page 88 for details.**

For tabletops with depths of 22"-28", frame feet are 22" long. For tabletops with depths of 29"-36", frame feet are 29" long. Rectangular tabletops are mountable to upCentric 2-Leg and 2-Leg Modular Frames. | See page 34-38 for specifications and options. | Tabletops not sold separately.

# UP-ES Rectangular Desks

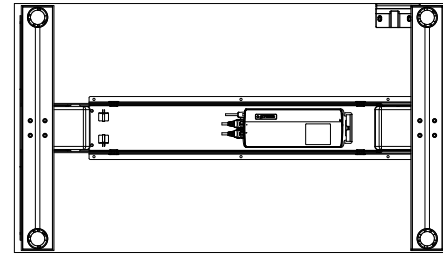


TABLE CODE						LIST PRICE	ES DESKS	
FRAME TYPE	FRAME COLOR	SIZE (in.) (AxB)	FINISH	EDGE COLOUR	GROMMET HOLES	PRICE	WEIGHT CAPACITY (LB)	TABLE WEIGHT (LB)
Ex. CGSA-ES -	SILVER -	24 x 42 -	37 -	FM -	LR	\$1,850	194	85
<b>UP-ES FRAMES</b>								
CGSA-ES -	xxxxx -	24 x 42 -	xx-	xx-	xx	\$1,850	194	85
CGSA-ES -	xxxxx -	24 x 48 -	xx-	xx-	xx	\$1,850	190	89
CGSA-ES -	xxxxx -	24 x 54 -	xx-	xx-	xx	\$1,886	186	93
CGSA-ES -	xxxxx -	24 x 60 -	xx-	xx-	xx	\$1,921	182	97
CGSA-ES -	xxxxx -	24 x 66 -	xx-	xx-	xx	\$1,957	178	101
CGSA-ES -	xxxxx -	24 x 72 -	xx-	xx-	xx	\$1,993	174	105
CGSA-ES -	xxxxx -	30 x 42 -	xx-	xx-	xx	\$ 1,886	187	98
CGSA-ES -	xxxxx -	30 x 48 -	xx-	xx-	xx	\$1,921	182	103
CGSA-ES -	xxxxx -	30 x 54 -	xx-	xx-	xx	\$1,967	177	108
CGSA-ES -	xxxxx -	30 x 60 -	xx-	xx-	xx	\$2,013	173	113
CGSA-ES -	xxxxx -	30 x 66 -	xx-	xx-	xx	\$2,057	168	117
CGSA-ES -	xxxxx -	30 x 72 -	xx-	xx-	xx	\$2,102	163	122

Notes: The upCentric vertical Cable Management Sleeve is included with Height adjustable desks. Please see page 88 for details.

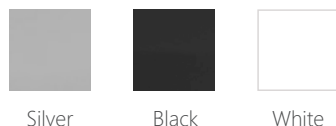
# How to order L-Shaped height adjustable desks

TABLE CODE								LIST PRICE
FRAME TYPE	FRAME COLOUR	ORIENTATION (L/R)	SIZE (in.) (ABCD)	SIZE (in.) (E)	FINISH	EDGE COLOUR	GROMMET HOLES	PRICE
Ex. CGSA-3L -	SILVER -	L -	48482424 -	11 -	21 -	FM -	LRET	\$2,999
<b>3L</b>								
CGSA-3L -	xxxxx -	x -	48482424 -	xx -	xx-	xx-	xxxx	\$2,999
CGSA-3L -	xxxxx -	x -	48602424 -	xx -	xx-	xx-	xxxx	\$3,075
CGSA-3L -	xxxxx -	x -	48662424 -	xx -	xx-	xx-	xxxx	\$3,115
CGSA-3L -	xxxxx -	x -	48722424 -	xx -	xx-	xx-	xxxx	\$3,153
CGSA-3L -	xxxxx -	x -	48782424 -	xx -	xx-	xx-	xxxx	\$3,193

- 1 2 3 4 5 6 7 8

1 Select frame type

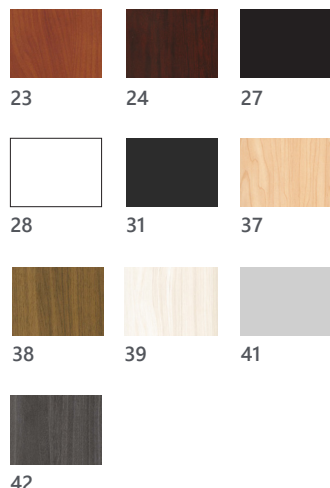
2 Select frame colour



3 Choose orientation

Left [L]; Right[R]

6 Select laminate finish



4 Choose tabletop size ABCD

See page 23 for size options

5 Choose tabletop size E

See page 23 for size options

7 Select edge band finish

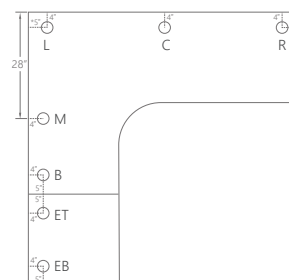
Edge Band	
Finish Match Edge	-FM
Choice Match Edge*	-XX

\* Select from one of the finishes in step 4

8 Add grommet holes to work surface

See page 18 for the options of grommet placements.

Notes: The upCentric vertical Cable Management Sleeve is included with Height adjustable desks. Please see page 88 for details.



# L-shaped Desks

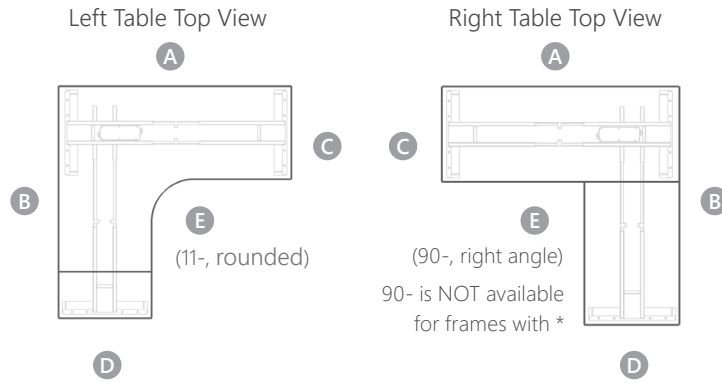


TABLE CODE								LIST PRICE	3L DESKS	
FRAME TYPE	FRAME COLOUR	ORIENTATION (L/R)	SIZE (in.) (ABCD)	SIZE (in.) (E)	FINISH	EDGE COLOUR	GROMMET HOLES	PRICE	WEIGHT CAPACITY (LB)	TABLE WEIGHT (LB)
Ex. *CGSA-3L -	SILVER -	L -	48482424 -	11 -	21 -	FM -	LRET	\$3,117	371	187
<b>3L</b>										
*CGSA-3L -	xxxxx -	x -	48482424 -	xx -	xx-	xx-	xxxx	\$3,117	371	187
CGSA-3L -	xxxxx -	x -	48602424 -	xx -	xx-	xx-	xxxx	\$3,193	364	194
CGSA-3L -	xxxxx -	x -	48662424 -	xx -	xx-	xx-	xxxx	\$3,233	360	198
CGSA-3L -	xxxxx -	x -	48722424 -	xx -	xx-	xx-	xxxx	\$3,271	356	202
CGSA-3L -	xxxxx -	x -	48782424 -	xx -	xx-	xx-	xxxx	\$3,311	352	206
CGSA-3L -	xxxxx -	x -	48842424 -	xx -	xx-	xx-	xxxx	\$3,349	348	210
CGSA-3L -	xxxxx -	x -	48902424 -	xx -	xx-	xx-	xxxx	\$3,388	345	213
CGSA-3L -	xxxxx -	x -	48962424 -	xx -	xx-	xx-	xxxx	\$3,427	341	217
*CGSA-3L -	xxxxx -	x -	54482424 -	xx -	xx-	xx-	xxxx	\$3,155	367	191
CGSA-3L -	xxxxx -	x -	54602424 -	xx -	xx-	xx-	xxxx	\$3,233	360	198
CGSA-3L -	xxxxx -	x -	54662424 -	xx -	xx-	xx-	xxxx	\$3,271	356	202
CGSA-3L -	xxxxx -	x -	54722424 -	xx -	xx-	xx-	xxxx	\$3,311	352	206
CGSA-3L -	xxxxx -	x -	54782424 -	xx -	xx-	xx-	xxxx	\$3,349	348	210
CGSA-3L -	xxxxx -	x -	54842424 -	xx -	xx-	xx-	xxxx	\$3,388	345	213
CGSA-3L -	xxxxx -	x -	54902424 -	xx -	xx-	xx-	xxxx	\$3,427	341	217
CGSA-3L -	xxxxx -	x -	54962424 -	xx -	xx-	xx-	xxxx	\$3,465	337	221
*CGSA-3L -	xxxxx -	x -	60482424 -	xx -	xx-	xx-	xxxx	\$3,193	364	194
CGSA-3L -	xxxxx -	x -	60602424 -	xx -	xx-	xx-	xxxx	\$3,271	356	202
CGSA-3L -	xxxxx -	x -	60662424 -	xx -	xx-	xx-	xxxx	\$3,311	352	206
CGSA-3L -	xxxxx -	x -	60722424 -	xx -	xx-	xx-	xxxx	\$3,349	348	210
CGSA-3L -	xxxxx -	x -	60782424 -	xx -	xx-	xx-	xxxx	\$3,388	345	213
CGSA-3L -	xxxxx -	x -	60842424 -	xx -	xx-	xx-	xxxx	\$3,427	341	217
CGSA-3L -	xxxxx -	x -	60902424 -	xx -	xx-	xx-	xxxx	\$3,465	337	221
CGSA-3L -	xxxxx -	x -	60962424 -	xx -	xx-	xx-	xxxx	\$3,504	333	225
*CGSA-3L -	xxxxx -	x -	66482424 -	xx -	xx-	xx-	xxxx	\$3,233	360	198
CGSA-3L -	xxxxx -	x -	66602424 -	xx -	xx-	xx-	xxxx	\$3,311	352	206
CGSA-3L -	xxxxx -	x -	66662424 -	xx -	xx-	xx-	xxxx	\$3,349	348	210
CGSA-3L -	xxxxx -	x -	66722424 -	xx -	xx-	xx-	xxxx	\$3,388	345	213
CGSA-3L -	xxxxx -	x -	66782424 -	xx -	xx-	xx-	xxxx	\$3,427	341	217
CGSA-3L -	xxxxx -	x -	66842424 -	xx -	xx-	xx-	xxxx	\$3,465	337	221
CGSA-3L -	xxxxx -	x -	66902424 -	xx -	xx-	xx-	xxxx	\$3,504	333	225
CGSA-3L -	xxxxx -	x -	66962424 -	xx -	xx-	xx-	xxxx	\$3,543	329	229

**Notes: The upCentric vertical Cable Management Sleeve is included with Height adjustable desks. Please see page 88 for details.**

L-Shape tabletops are mountable to upCentric 3-Leg Frames. | See page 37 for specifications and options. | Tabletops not sold separately.

# L-shaped Desks

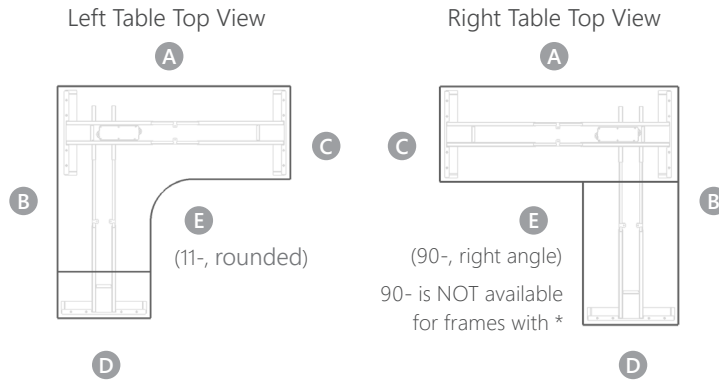


TABLE CODE								LIST PRICE	3L DESKS	
FRAME TYPE	FRAME COLOUR	ORIENTATION (L/R)	SIZE (in.) (ABCD)	SIZE (in.) (E)	FINISH	EDGE COLOUR	GROMMET HOLES	PRICE	WEIGHT CAPACITY (LB)	TABLE WEIGHT (LB)
Ex. *CGSA-3L -	SILVER -	L -	72482424 -	11 -	21 -	FM -	LRET	\$3,271	356	202
<b>3L</b>										
*CGSA-3L -	xxxxx -	x -	72482424 -	xx -	xx -	xx -	xxxx	\$3,271	356	202
CGSA-3L -	xxxxx -	x -	72602424 -	xx -	xx -	xx -	xxxx	\$3,349	348	210
CGSA-3L -	xxxxx -	x -	72662424 -	xx -	xx -	xx -	xxxx	\$3,388	345	213
CGSA-3L -	xxxxx -	x -	72722424 -	xx -	xx -	xx -	xxxx	\$3,427	341	217
CGSA-3L -	xxxxx -	x -	72782424 -	xx -	xx -	xx -	xxxx	\$3,465	337	221
CGSA-3L -	xxxxx -	x -	72842424 -	xx -	xx -	xx -	xxxx	\$3,504	333	225
CGSA-3L -	xxxxx -	x -	72902424 -	xx -	xx -	xx -	xxxx	\$3,543	329	229
CGSA-3L -	xxxxx -	x -	72962424 -	xx -	xx -	xx -	xxxx	\$3,582	326	232
*CGSA-3L -	xxxxx -	x -	78482424 -	xx -	xx -	xx -	xxxx	\$3,311	352	206
CGSA-3L -	xxxxx -	x -	78602424 -	xx -	xx -	xx -	xxxx	\$3,388	345	213
CGSA-3L -	xxxxx -	x -	78662424 -	xx -	xx -	xx -	xxxx	\$3,427	341	217
CGSA-3L -	xxxxx -	x -	78722424 -	xx -	xx -	xx -	xxxx	\$3,465	337	221
CGSA-3L -	xxxxx -	x -	78782424 -	xx -	xx -	xx -	xxxx	\$3,504	333	225
CGSA-3L -	xxxxx -	x -	78842424 -	xx -	xx -	xx -	xxxx	\$3,543	329	229
CGSA-3L -	xxxxx -	x -	78902424 -	xx -	xx -	xx -	xxxx	\$3,582	326	232
CGSA-3L -	xxxxx -	x -	78962424 -	xx -	xx -	xx -	xxxx	\$3,620	322	236
*CGSA-3L -	xxxxx -	x -	84482424 -	xx -	xx -	xx -	xxxx	\$3,349	348	210
CGSA-3L -	xxxxx -	x -	84602424 -	xx -	xx -	xx -	xxxx	\$3,427	341	217
CGSA-3L -	xxxxx -	x -	84662424 -	xx -	xx -	xx -	xxxx	\$3,465	337	221
CGSA-3L -	xxxxx -	x -	84722424 -	xx -	xx -	xx -	xxxx	\$3,504	333	225
CGSA-3L -	xxxxx -	x -	84782424 -	xx -	xx -	xx -	xxxx	\$3,543	329	229
CGSA-3L -	xxxxx -	x -	84842424 -	xx -	xx -	xx -	xxxx	\$3,582	326	232
CGSA-3L -	xxxxx -	x -	84902424 -	xx -	xx -	xx -	xxxx	\$3,620	322	236
CGSA-3L -	xxxxx -	x -	84962424 -	xx -	xx -	xx -	xxxx	\$3,659	318	240
*CGSA-3L -	xxxxx -	x -	90482424 -	xx -	xx -	xx -	xxxx	\$3,388	345	213
CGSA-3L -	xxxxx -	x -	90602424 -	xx -	xx -	xx -	xxxx	\$3,465	337	221
CGSA-3L -	xxxxx -	x -	90662424 -	xx -	xx -	xx -	xxxx	\$3,504	333	225
CGSA-3L -	xxxxx -	x -	90722424 -	xx -	xx -	xx -	xxxx	\$3,543	329	229
CGSA-3L -	xxxxx -	x -	90782424 -	xx -	xx -	xx -	xxxx	\$3,582	326	232
CGSA-3L -	xxxxx -	x -	90842424 -	xx -	xx -	xx -	xxxx	\$3,620	322	236
CGSA-3L -	xxxxx -	x -	90902424 -	xx -	xx -	xx -	xxxx	\$3,659	318	240
CGSA-3L -	xxxxx -	x -	90962424 -	xx -	xx -	xx -	xxxx	\$3,698	314	244

**Notes: The upCentric vertical Cable Management Sleeve is included with Height adjustable desks. Please see page 88 for details.**

L-Shape tabletops are mountable to upCentric 3-Leg Frames. | See page 37 for specifications and options. | Tabletops not sold separately.



# L-shaped Desks

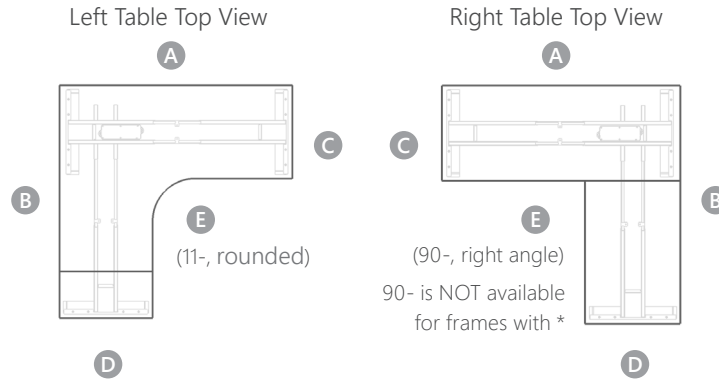


TABLE CODE								LIST PRICE	3L DESKS	
FRAME TYPE	FRAME COLOUR	ORIENTATION (L/R)	SIZE (in.) (ABCD)	SIZE (in.) (E)	FINISH	EDGE COLOUR	GROMMET HOLES	PRICE	WEIGHT CAPACITY (LB)	TABLE WEIGHT (LB)
Ex. *CGSA-3L -	SILVER -	L -	96482424 -	11 -	21 -	FM -	LRET	\$3,427	341	217
<b>3L</b>										
*CGSA-3L -	xxxxx -	x -	96482424 -	xx -	xx -	xx -	xxxx	\$3,427	341	217
CGSA-3L -	xxxxx -	x -	96602424 -	xx -	xx -	xx -	xxxx	\$3,504	333	225
CGSA-3L -	xxxxx -	x -	96662424 -	xx -	xx -	xx -	xxxx	\$3,543	329	229
CGSA-3L -	xxxxx -	x -	96722424 -	xx -	xx -	xx -	xxxx	\$3,582	326	232
CGSA-3L -	xxxxx -	x -	96782424 -	xx -	xx -	xx -	xxxx	\$3,620	322	236
CGSA-3L -	xxxxx -	x -	96842424 -	xx -	xx -	xx -	xxxx	\$3,659	318	240
CGSA-3L -	xxxxx -	x -	96902424 -	xx -	xx -	xx -	xxxx	\$3,698	314	244
CGSA-3L -	xxxxx -	x -	96962424 -	xx -	xx -	xx -	xxxx	\$3,737	310	248
*CGSA-3L -	xxxxx -	x -	48482430 -	xx -	xx -	xx -	xxxx	\$3,165	367	191
CGSA-3L -	xxxxx -	x -	48602430 -	xx -	xx -	xx -	xxxx	\$3,253	358	200
CGSA-3L -	xxxxx -	x -	48662430 -	xx -	xx -	xx -	xxxx	\$3,301	353	205
CGSA-3L -	xxxxx -	x -	48722430 -	xx -	xx -	xx -	xxxx	\$3,349	348	210
CGSA-3L -	xxxxx -	x -	48782430 -	xx -	xx -	xx -	xxxx	\$3,397	344	214
CGSA-3L -	xxxxx -	x -	48842430 -	xx -	xx -	xx -	xxxx	\$3,447	339	219
CGSA-3L -	xxxxx -	x -	48902430 -	xx -	xx -	xx -	xxxx	\$3,495	334	224
CGSA-3L -	xxxxx -	x -	48962430 -	xx -	xx -	xx -	xxxx	\$3,543	329	229
*CGSA-3L -	xxxxx -	x -	54482430 -	xx -	xx -	xx -	xxxx	\$3,214	364	194
CGSA-3L -	xxxxx -	x -	54602430 -	xx -	xx -	xx -	xxxx	\$3,291	354	204
CGSA-3L -	xxxxx -	x -	54662430 -	xx -	xx -	xx -	xxxx	\$3,339	349	209
CGSA-3L -	xxxxx -	x -	54722430 -	xx -	xx -	xx -	xxxx	\$3,388	345	213
CGSA-3L -	xxxxx -	x -	54782430 -	xx -	xx -	xx -	xxxx	\$3,436	340	218
CGSA-3L -	xxxxx -	x -	54842430 -	xx -	xx -	xx -	xxxx	\$3,485	335	223
CGSA-3L -	xxxxx -	x -	54902430 -	xx -	xx -	xx -	xxxx	\$3,533	330	228
CGSA-3L -	xxxxx -	x -	54962430 -	xx -	xx -	xx -	xxxx	\$3,582	326	232
*CGSA-3L -	xxxxx -	x -	60482430 -	xx -	xx -	xx -	xxxx	\$3,263	360	198
CGSA-3L -	xxxxx -	x -	60602430 -	xx -	xx -	xx -	xxxx	\$3,331	350	208
CGSA-3L -	xxxxx -	x -	60662430 -	xx -	xx -	xx -	xxxx	\$3,379	346	212
CGSA-3L -	xxxxx -	x -	60722430 -	xx -	xx -	xx -	xxxx	\$3,427	341	217
CGSA-3L -	xxxxx -	x -	60782430 -	xx -	xx -	xx -	xxxx	\$3,475	336	222
CGSA-3L -	xxxxx -	x -	60842430 -	xx -	xx -	xx -	xxxx	\$3,525	331	227
CGSA-3L -	xxxxx -	x -	60902430 -	xx -	xx -	xx -	xxxx	\$3,573	327	231
CGSA-3L -	xxxxx -	x -	60962430 -	xx -	xx -	xx -	xxxx	\$3,620	322	236

**Notes: The upCentric vertical Cable Management Sleeve is included with Height adjustable desks. Please see page 88 for details.**

L-Shape tabletops are mountable to upCentric 3-Leg Frames. | See page 37 for specifications and options. | Tabletops not sold separately.

# L-shaped Desks

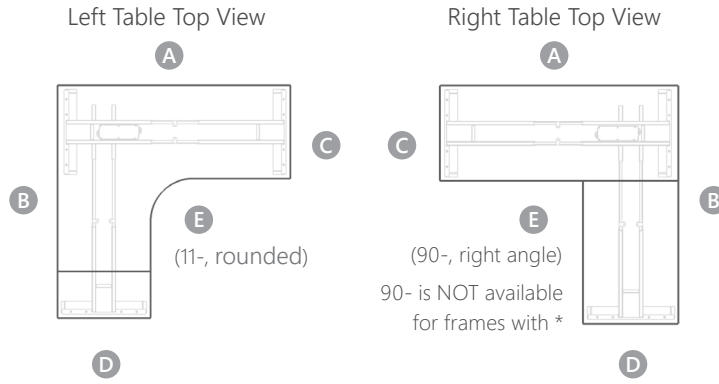


TABLE CODE								LIST PRICE	3L DESKS	
FRAME TYPE	FRAME COLOUR	ORIENTATION (L/R)	SIZE (in.) (ABCD)	SIZE (in.) (E)	FINISH	EDGE COLOUR	GROMMET HOLES	PRICE	WEIGHT CAPACITY (LB)	TABLE WEIGHT (LB)
Ex. *CGSA-3L -	SILVER -	L -	66482430 -	11 -	21 -	FM -	LRET	\$3,311	356	202
<b>3L</b>										
*CGSA-3L -	xxxxx -	x -	66482430 -	xx -	xx -	xx -	xxxx	\$3,311	356	202
CGSA-3L -	xxxxx -	x -	66602430 -	xx -	xx -	xx -	xxxx	\$3,369	347	211
CGSA-3L -	xxxxx -	x -	66662430 -	xx -	xx -	xx -	xxxx	\$3,417	342	216
CGSA-3L -	xxxxx -	x -	66722430 -	xx -	xx -	xx -	xxxx	\$3,465	337	221
CGSA-3L -	xxxxx -	x -	66782430 -	xx -	xx -	xx -	xxxx	\$3,514	332	226
CGSA-3L -	xxxxx -	x -	66842430 -	xx -	xx -	xx -	xxxx	\$3,563	328	230
CGSA-3L -	xxxxx -	x -	66902430 -	xx -	xx -	xx -	xxxx	\$3,611	323	235
CGSA-3L -	xxxxx -	x -	66962430 -	xx -	xx -	xx -	xxxx	\$3,659	318	240
*CGSA-3L -	xxxxx -	x -	72482430 -	xx -	xx -	xx -	xxxx	\$3,358	352	206
CGSA-3L -	xxxxx -	x -	72602430 -	xx -	xx -	xx -	xxxx	\$3,407	343	215
CGSA-3L -	xxxxx -	x -	72662430 -	xx -	xx -	xx -	xxxx	\$3,456	338	220
CGSA-3L -	xxxxx -	x -	72722430 -	xx -	xx -	xx -	xxxx	\$3,504	333	225
CGSA-3L -	xxxxx -	x -	72782430 -	xx -	xx -	xx -	xxxx	\$3,552	328	230
CGSA-3L -	xxxxx -	x -	72842430 -	xx -	xx -	xx -	xxxx	\$3,601	324	234
CGSA-3L -	xxxxx -	x -	72902430 -	xx -	xx -	xx -	xxxx	\$3,650	319	239
CGSA-3L -	xxxxx -	x -	72962430 -	xx -	xx -	xx -	xxxx	\$3,698	314	244
*CGSA-3L -	xxxxx -	x -	78482430 -	xx -	xx -	xx -	xxxx	\$3,407	348	210
CGSA-3L -	xxxxx -	x -	78602430 -	xx -	xx -	xx -	xxxx	\$3,447	339	219
CGSA-3L -	xxxxx -	x -	78662430 -	xx -	xx -	xx -	xxxx	\$3,495	334	224
CGSA-3L -	xxxxx -	x -	78722430 -	xx -	xx -	xx -	xxxx	\$3,543	329	229
CGSA-3L -	xxxxx -	x -	78782430 -	xx -	xx -	xx -	xxxx	\$3,592	325	233
CGSA-3L -	xxxxx -	x -	78842430 -	xx -	xx -	xx -	xxxx	\$3,641	320	238
CGSA-3L -	xxxxx -	x -	78902430 -	xx -	xx -	xx -	xxxx	\$3,689	315	243
CGSA-3L -	xxxxx -	x -	78962430 -	xx -	xx -	xx -	xxxx	\$3,737	310	248
*CGSA-3L -	xxxxx -	x -	84482430 -	xx -	xx -	xx -	xxxx	\$3,456	345	213
CGSA-3L -	xxxxx -	x -	84602430 -	xx -	xx -	xx -	xxxx	\$3,485	335	223
CGSA-3L -	xxxxx -	x -	84662430 -	xx -	xx -	xx -	xxxx	\$3,533	330	228
CGSA-3L -	xxxxx -	x -	84722430 -	xx -	xx -	xx -	xxxx	\$3,582	326	232
CGSA-3L -	xxxxx -	x -	84782430 -	xx -	xx -	xx -	xxxx	\$3,630	321	237
CGSA-3L -	xxxxx -	x -	84842430 -	xx -	xx -	xx -	xxxx	\$3,679	316	242
CGSA-3L -	xxxxx -	x -	84902430 -	xx -	xx -	xx -	xxxx	\$3,727	311	247
CGSA-3L -	xxxxx -	x -	84962430 -	xx -	xx -	xx -	xxxx	\$3,776	307	251

**Notes:** The upCentric vertical Cable Management Sleeve is included with Height adjustable desks. Please see page 88 for details.

L-Shape tabletops are mountable to upCentric 3-Leg Frames. | See page 37 for specifications and options. | Tabletops not sold separately.

# L-shaped Desks

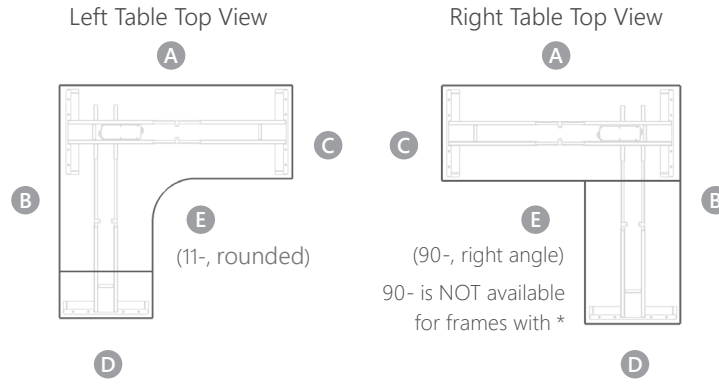


TABLE CODE								LIST PRICE	3L DESKS	
FRAME TYPE	FRAME COLOUR	ORIENTATION (L/R)	SIZE (in.) (ABCD)	SIZE (in.) (E)	FINISH	EDGE COLOUR	GROMMET HOLES	PRICE	WEIGHT CAPACITY (LB)	TABLE WEIGHT (LB)
Ex.*CGSA-3L -	SILVER -	L -	90482430 -	11 -	21 -	FM -	LRET	\$3,504	341	217
<b>3L</b>										
*CGSA-3L -	xxxxx -	x -	90482430 -	xx -	xx -	xx -	xxxx	\$3,504	341	217
CGSA-3L -	xxxxx -	x -	90602430 -	xx -	xx -	xx -	xxxx	\$3,525	331	227
CGSA-3L -	xxxxx -	x -	90662430 -	xx -	xx -	xx -	xxxx	\$3,573	327	231
CGSA-3L -	xxxxx -	x -	90722430 -	xx -	xx -	xx -	xxxx	\$3,620	322	236
CGSA-3L -	xxxxx -	x -	90782430 -	xx -	xx -	xx -	xxxx	\$3,668	317	241
CGSA-3L -	xxxxx -	x -	90842430 -	xx -	xx -	xx -	xxxx	\$3,718	312	246
CGSA-3L -	xxxxx -	x -	90902430 -	xx -	xx -	xx -	xxxx	\$3,766	308	250
CGSA-3L -	xxxxx -	x -	90962430 -	xx -	xx -	xx -	xxxx	\$3,814	303	255
*CGSA-3L -	xxxxx -	x -	96482430 -	xx -	xx -	xx -	xxxx	\$3,563	337	221
CGSA-3L -	xxxxx -	x -	96602430 -	xx -	xx -	xx -	xxxx	\$3,573	328	230
CGSA-3L -	xxxxx -	x -	96662430 -	xx -	xx -	xx -	xxxx	\$3,611	323	235
CGSA-3L -	xxxxx -	x -	96722430 -	xx -	xx -	xx -	xxxx	\$3,659	318	240
CGSA-3L -	xxxxx -	x -	96782430 -	xx -	xx -	xx -	xxxx	\$3,708	313	245
CGSA-3L -	xxxxx -	x -	96842430 -	xx -	xx -	xx -	xxxx	\$3,757	309	249
CGSA-3L -	xxxxx -	x -	96902430 -	xx -	xx -	xx -	xxxx	\$3,805	304	254
CGSA-3L -	xxxxx -	x -	96962430 -	xx -	xx -	xx -	xxxx	\$3,854	299	259
*CGSA-3L -	xxxxx -	x -	48483024 -	xx -	xx -	xx -	xxxx	\$3,155	367	191
CGSA-3L -	xxxxx -	x -	48603024 -	xx -	xx -	xx -	xxxx	\$3,233	360	198
CGSA-3L -	xxxxx -	x -	48663024 -	xx -	xx -	xx -	xxxx	\$3,271	356	202
CGSA-3L -	xxxxx -	x -	48723024 -	xx -	xx -	xx -	xxxx	\$3,311	352	206
CGSA-3L -	xxxxx -	x -	48783024 -	xx -	xx -	xx -	xxxx	\$3,349	348	210
CGSA-3L -	xxxxx -	x -	48843024 -	xx -	xx -	xx -	xxxx	\$3,388	345	213
CGSA-3L -	xxxxx -	x -	48903024 -	xx -	xx -	xx -	xxxx	\$3,427	341	217
CGSA-3L -	xxxxx -	x -	48963024 -	xx -	xx -	xx -	xxxx	\$3,465	337	221
*CGSA-3L -	xxxxx -	x -	54483024 -	xx -	xx -	xx -	xxxx	\$3,203	363	195
CGSA-3L -	xxxxx -	x -	54603024 -	xx -	xx -	xx -	xxxx	\$3,281	355	203
CGSA-3L -	xxxxx -	x -	54663024 -	xx -	xx -	xx -	xxxx	\$3,320	351	207
CGSA-3L -	xxxxx -	x -	54723024 -	xx -	xx -	xx -	xxxx	\$3,358	347	211
CGSA-3L -	xxxxx -	x -	54783024 -	xx -	xx -	xx -	xxxx	\$3,397	344	214
CGSA-3L -	xxxxx -	x -	54843024 -	xx -	xx -	xx -	xxxx	\$3,436	340	218
CGSA-3L -	xxxxx -	x -	54903024 -	xx -	xx -	xx -	xxxx	\$3,475	336	222
CGSA-3L -	xxxxx -	x -	54963024 -	xx -	xx -	xx -	xxxx	\$3,514	332	226

**Notes: The upCentric vertical Cable Management Sleeve is included with Height adjustable desks. Please see page 88 for details.**

L-Shape tabletops are mountable to upCentric 3-Leg Frames. | See page 37 for specifications and options. | Tabletops not sold separately.

# L-shaped Desks

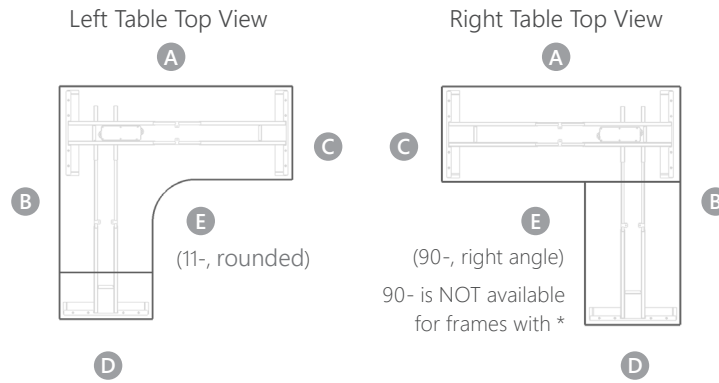


TABLE CODE								LIST PRICE	3L TABLES	
FRAME TYPE	FRAME COLOUR	ORIENTATION (L/R)	SIZE (in.) (ABCD)	SIZE (in.) (E)	FINISH	EDGE COLOUR	GROMMET HOLES	PRICE	WEIGHT CAPACITY (LB)	TABLE WEIGHT (LB)
Ex. *CGSA-3L -	SILVER -	L -	60483024 -	11 -	21 -	FM -	LRET	\$3,253	358	200
<b>3L</b>										
*CGSA-3L -	xxxxx -	x -	60483024 -	xx -	xx -	xx -	xxxx	\$3,253	358	200
CGSA-3L -	xxxxx -	x -	60603024 -	xx -	xx -	xx -	xxxx	\$3,331	350	208
CGSA-3L -	xxxxx -	x -	60663024 -	xx -	xx -	xx -	xxxx	\$3,369	347	211
CGSA-3L -	xxxxx -	x -	60723024 -	xx -	xx -	xx -	xxxx	\$3,407	343	215
CGSA-3L -	xxxxx -	x -	60783024 -	xx -	xx -	xx -	xxxx	\$3,447	339	219
CGSA-3L -	xxxxx -	x -	60843024 -	xx -	xx -	xx -	xxxx	\$3,485	335	223
CGSA-3L -	xxxxx -	x -	60903024 -	xx -	xx -	xx -	xxxx	\$3,525	331	227
CGSA-3L -	xxxxx -	x -	60963024 -	xx -	xx -	xx -	xxxx	\$3,563	328	230
*CGSA-3L -	xxxxx -	x -	66483024 -	xx -	xx -	xx -	xxxx	\$3,301	353	205
CGSA-3L -	xxxxx -	x -	66603024 -	xx -	xx -	xx -	xxxx	\$3,379	346	212
CGSA-3L -	xxxxx -	x -	66663024 -	xx -	xx -	xx -	xxxx	\$3,417	342	216
CGSA-3L -	xxxxx -	x -	66723024 -	xx -	xx -	xx -	xxxx	\$3,456	338	220
CGSA-3L -	xxxxx -	x -	66783024 -	xx -	xx -	xx -	xxxx	\$3,495	334	224
CGSA-3L -	xxxxx -	x -	66843024 -	xx -	xx -	xx -	xxxx	\$3,533	330	228
CGSA-3L -	xxxxx -	x -	66903024 -	xx -	xx -	xx -	xxxx	\$3,573	327	231
CGSA-3L -	xxxxx -	x -	66963024 -	xx -	xx -	xx -	xxxx	\$3,611	323	235
*CGSA-3L -	xxxxx -	x -	72483024 -	xx -	xx -	xx -	xxxx	\$3,349	348	210
CGSA-3L -	xxxxx -	x -	72603024 -	xx -	xx -	xx -	xxxx	\$3,427	341	217
CGSA-3L -	xxxxx -	x -	72663024 -	xx -	xx -	xx -	xxxx	\$3,465	337	221
CGSA-3L -	xxxxx -	x -	72723024 -	xx -	xx -	xx -	xxxx	\$3,504	333	225
CGSA-3L -	xxxxx -	x -	72783024 -	xx -	xx -	xx -	xxxx	\$3,543	329	229
CGSA-3L -	xxxxx -	x -	72843024 -	xx -	xx -	xx -	xxxx	\$3,582	326	232
CGSA-3L -	xxxxx -	x -	72903024 -	xx -	xx -	xx -	xxxx	\$3,620	322	236
CGSA-3L -	xxxxx -	x -	72963024 -	xx -	xx -	xx -	xxxx	\$3,659	318	240
*CGSA-3L -	xxxxx -	x -	78483024 -	xx -	xx -	xx -	xxxx	\$3,397	344	214
CGSA-3L -	xxxxx -	x -	78603024 -	xx -	xx -	xx -	xxxx	\$3,475	336	222
CGSA-3L -	xxxxx -	x -	78663024 -	xx -	xx -	xx -	xxxx	\$3,514	332	226
CGSA-3L -	xxxxx -	x -	78723024 -	xx -	xx -	xx -	xxxx	\$3,552	328	230
CGSA-3L -	xxxxx -	x -	78783024 -	xx -	xx -	xx -	xxxx	\$3,592	325	233
CGSA-3L -	xxxxx -	x -	78843024 -	xx -	xx -	xx -	xxxx	\$3,630	321	237
CGSA-3L -	xxxxx -	x -	78903024 -	xx -	xx -	xx -	xxxx	\$3,668	317	241
CGSA-3L -	xxxxx -	x -	78963024 -	xx -	xx -	xx -	xxxx	\$3,708	313	245

Notes: The upCentric vertical Cable Management Sleeve is included with Height adjustable desks. Please see page 88 for details.

L-Shape tabletops are mountable to upCentric 3-Leg Frames. | See page 37 for specifications and options. | Tabletops not sold separately.

# L-shaped Desks

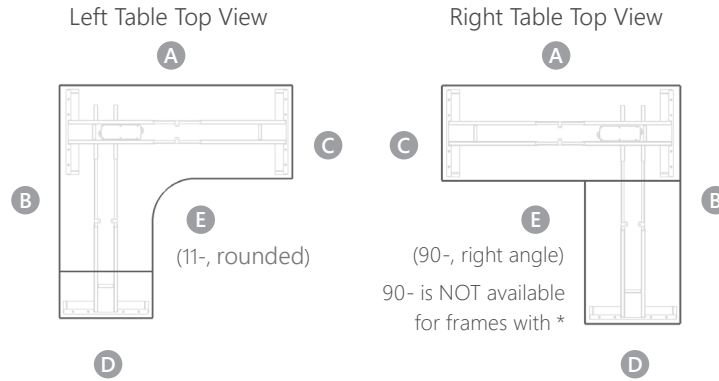


TABLE CODE								LIST PRICE	3L DESKS	
FRAME TYPE	FRAME COLOUR	ORIENTATION (L/R)	SIZE (in.) (ABCD)	SIZE (in.) (E)	FINISH	EDGE COLOUR	GROMMET HOLES	PRICE	WEIGHT CAPACITY (LB)	TABLE WEIGHT (LB)
Ex.*CGSA-3L -	SILVER -	L -	84483024 -	11 -	21 -	FM -	LRET	\$3,447	339	219
<b>3L</b>										
*CGSA-3L -	xxxxx -	x -	84483024 -	xx -	xx -	xx -	xxxx	\$3,447	339	219
CGSA-3L -	xxxxx -	x -	84603024 -	xx -	xx -	xx -	xxxx	\$3,525	331	227
CGSA-3L -	xxxxx -	x -	84663024 -	xx -	xx -	xx -	xxxx	\$3,563	328	230
CGSA-3L -	xxxxx -	x -	84723024 -	xx -	xx -	xx -	xxxx	\$3,601	324	234
CGSA-3L -	xxxxx -	x -	84783024 -	xx -	xx -	xx -	xxxx	\$3,641	320	238
CGSA-3L -	xxxxx -	x -	84843024 -	xx -	xx -	xx -	xxxx	\$3,679	316	242
CGSA-3L -	xxxxx -	x -	84903024 -	xx -	xx -	xx -	xxxx	\$3,718	312	246
CGSA-3L -	xxxxx -	x -	84963024 -	xx -	xx -	xx -	xxxx	\$3,757	309	249
*CGSA-3L -	xxxxx -	x -	90483024 -	xx -	xx -	xx -	xxxx	\$3,495	334	224
CGSA-3L -	xxxxx -	x -	90603024 -	xx -	xx -	xx -	xxxx	\$3,573	327	231
CGSA-3L -	xxxxx -	x -	90663024 -	xx -	xx -	xx -	xxxx	\$3,611	323	235
CGSA-3L -	xxxxx -	x -	90723024 -	xx -	xx -	xx -	xxxx	\$3,650	319	239
CGSA-3L -	xxxxx -	x -	90783024 -	xx -	xx -	xx -	xxxx	\$3,689	315	243
CGSA-3L -	xxxxx -	x -	90843024 -	xx -	xx -	xx -	xxxx	\$3,727	311	247
CGSA-3L -	xxxxx -	x -	90903024 -	xx -	xx -	xx -	xxxx	\$3,766	308	250
CGSA-3L -	xxxxx -	x -	90963024 -	xx -	xx -	xx -	xxxx	\$3,805	304	254
*CGSA-3L -	xxxxx -	x -	96483024 -	xx -	xx -	xx -	xxxx	\$3,543	329	229
CGSA-3L -	xxxxx -	x -	96603024 -	xx -	xx -	xx -	xxxx	\$3,620	322	236
CGSA-3L -	xxxxx -	x -	96663024 -	xx -	xx -	xx -	xxxx	\$3,659	318	240
CGSA-3L -	xxxxx -	x -	96723024 -	xx -	xx -	xx -	xxxx	\$3,698	314	244
CGSA-3L -	xxxxx -	x -	96783024 -	xx -	xx -	xx -	xxxx	\$3,737	310	248
CGSA-3L -	xxxxx -	x -	96843024 -	xx -	xx -	xx -	xxxx	\$3,776	307	251
CGSA-3L -	xxxxx -	x -	96903024 -	xx -	xx -	xx -	xxxx	\$3,814	303	255
CGSA-3L -	xxxxx -	x -	96963024 -	xx -	xx -	xx -	xxxx	\$3,854	299	259
*CGSA-3L -	xxxxx -	x -	48483030 -	xx -	xx -	xx -	xxxx	\$3,185	365	193
CGSA-3L -	xxxxx -	x -	48603030 -	xx -	xx -	xx -	xxxx	\$3,281	355	203
CGSA-3L -	xxxxx -	x -	48663030 -	xx -	xx -	xx -	xxxx	\$3,331	350	208
CGSA-3L -	xxxxx -	x -	48723030 -	xx -	xx -	xx -	xxxx	\$3,379	346	212
CGSA-3L -	xxxxx -	x -	48783030 -	xx -	xx -	xx -	xxxx	\$3,427	341	217
CGSA-3L -	xxxxx -	x -	48843030 -	xx -	xx -	xx -	xxxx	\$3,475	336	222
CGSA-3L -	xxxxx -	x -	48903030 -	xx -	xx -	xx -	xxxx	\$3,525	331	227
CGSA-3L -	xxxxx -	x -	48963030 -	xx -	xx -	xx -	xxxx	\$3,573	327	231

**Notes: The upCentric vertical Cable Management Sleeve is included with Height adjustable desks. Please see page 88 for details.**

L-Shape tabletops are mountable to upCentric 3-Leg Frames. | See page 37 for specifications and options. | Tabletops not sold separately.

# L-shaped Desks

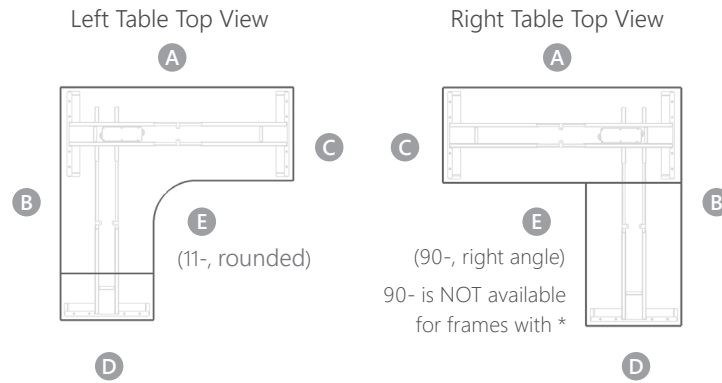


TABLE CODE								LIST PRICE	3L DESKS	
FRAME TYPE	FRAME COLOUR	ORIENTATION (L/R)	SIZE (in.) (ABCD)	SIZE (in.) (E)	FINISH	EDGE COLOUR	GROMMET HOLES	PRICE	WEIGHT CAPACITY (LB)	TABLE WEIGHT (LB)
Ex. *CGSA-3L -	SILVER -	L -	54483030 -	11 -	21 -	FM -	LRET	\$3,233	360	198
<b>3L</b>										
*CGSA-3L -	xxxxx -	x -	54483030 -	xx -	xx -	xx -	xxxx	\$3,233	360	198
CGSA-3L -	xxxxx -	x -	54603030 -	xx -	xx -	xx -	xxxx	\$3,331	350	208
CGSA-3L -	xxxxx -	x -	54663030 -	xx -	xx -	xx -	xxxx	\$3,379	346	212
CGSA-3L -	xxxxx -	x -	54723030 -	xx -	xx -	xx -	xxxx	\$3,427	341	217
CGSA-3L -	xxxxx -	x -	54783030 -	xx -	xx -	xx -	xxxx	\$3,475	336	222
CGSA-3L -	xxxxx -	x -	54843030 -	xx -	xx -	xx -	xxxx	\$3,525	331	227
CGSA-3L -	xxxxx -	x -	54903030 -	xx -	xx -	xx -	xxxx	\$3,573	327	231
CGSA-3L -	xxxxx -	x -	54963030 -	xx -	xx -	xx -	xxxx	\$3,620	322	236
*CGSA-3L -	xxxxx -	x -	60483030 -	xx -	xx -	xx -	xxxx	\$3,281	355	203
CGSA-3L -	xxxxx -	x -	60603030 -	xx -	xx -	xx -	xxxx	\$3,379	346	212
CGSA-3L -	xxxxx -	x -	60663030 -	xx -	xx -	xx -	xxxx	\$3,427	341	217
CGSA-3L -	xxxxx -	x -	60723030 -	xx -	xx -	xx -	xxxx	\$3,475	336	222
CGSA-3L -	xxxxx -	x -	60783030 -	xx -	xx -	xx -	xxxx	\$3,525	331	227
CGSA-3L -	xxxxx -	x -	60843030 -	xx -	xx -	xx -	xxxx	\$3,573	327	231
CGSA-3L -	xxxxx -	x -	60903030 -	xx -	xx -	xx -	xxxx	\$3,620	322	236
CGSA-3L -	xxxxx -	x -	60963030 -	xx -	xx -	xx -	xxxx	\$3,668	317	241
*CGSA-3L -	xxxxx -	x -	66483030 -	xx -	xx -	xx -	xxxx	\$3,331	350	208
CGSA-3L -	xxxxx -	x -	66603030 -	xx -	xx -	xx -	xxxx	\$3,427	341	217
CGSA-3L -	xxxxx -	x -	66663030 -	xx -	xx -	xx -	xxxx	\$3,475	336	222
CGSA-3L -	xxxxx -	x -	66723030 -	xx -	xx -	xx -	xxxx	\$3,525	331	227
CGSA-3L -	xxxxx -	x -	66783030 -	xx -	xx -	xx -	xxxx	\$3,573	327	231
CGSA-3L -	xxxxx -	x -	66843030 -	xx -	xx -	xx -	xxxx	\$3,620	322	236
CGSA-3L -	xxxxx -	x -	66903030 -	xx -	xx -	xx -	xxxx	\$3,668	317	241
CGSA-3L -	xxxxx -	x -	66963030 -	xx -	xx -	xx -	xxxx	\$3,718	312	246
*CGSA-3L -	xxxxx -	x -	72483030 -	xx -	xx -	xx -	xxxx	\$3,379	346	212
CGSA-3L -	xxxxx -	x -	72603030 -	xx -	xx -	xx -	xxxx	\$3,475	336	222
CGSA-3L -	xxxxx -	x -	72663030 -	xx -	xx -	xx -	xxxx	\$3,525	331	227
CGSA-3L -	xxxxx -	x -	72723030 -	xx -	xx -	xx -	xxxx	\$3,573	327	231
CGSA-3L -	xxxxx -	x -	72783030 -	xx -	xx -	xx -	xxxx	\$3,620	322	236
CGSA-3L -	xxxxx -	x -	72843030 -	xx -	xx -	xx -	xxxx	\$3,668	317	241
CGSA-3L -	xxxxx -	x -	72903030 -	xx -	xx -	xx -	xxxx	\$3,718	312	246
CGSA-3L -	xxxxx -	x -	72963030 -	xx -	xx -	xx -	xxxx	\$3,766	308	250

**Notes:** The upCentric vertical Cable Management Sleeve is included with Height adjustable desks. Please see page 88 for details.

L-Shape tabletops are mountable to upCentric 3-Leg Frames. | See page 37 for specifications and options. | Tabletops not sold separately.

# L-shaped Desks

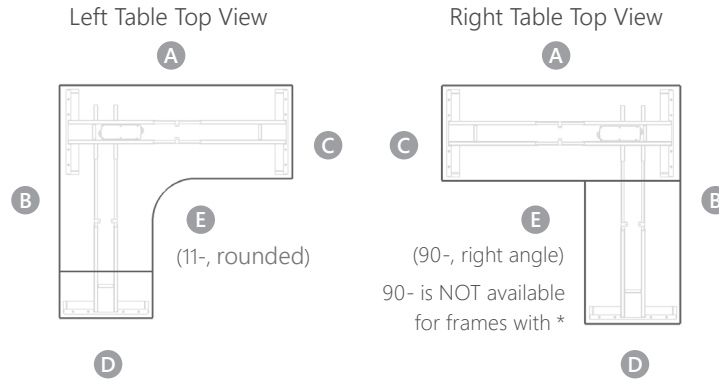


TABLE CODE								LIST PRICE	3L DESKS	
FRAME TYPE	FRAME COLOUR	ORIENTATION (L/R)	SIZE (in.) (ABCD)	SIZE (in.) (E)	FINISH	EDGE COLOUR	GROMMET HOLES	PRICE	WEIGHT CAPACITY (LB)	TABLE WEIGHT (LB)
Ex. *CGSA-3L -	SILVER -	L -	78483030 -	11 -	21 -	FM -	LRET	\$3,427	341	217
<b>3L</b>										
*CGSA-3L -	xxxxx -	x -	78483030 -	xx -	xx -	xx -	xxxx	\$3,427	341	217
CGSA-3L -	xxxxx -	x -	78603030 -	xx -	xx -	xx -	xxxx	\$3,525	331	227
CGSA-3L -	xxxxx -	x -	78663030 -	xx -	xx -	xx -	xxxx	\$3,573	327	231
CGSA-3L -	xxxxx -	x -	78723030 -	xx -	xx -	xx -	xxxx	\$3,620	322	236
CGSA-3L -	xxxxx -	x -	78783030 -	xx -	xx -	xx -	xxxx	\$3,668	317	241
CGSA-3L -	xxxxx -	x -	78843030 -	xx -	xx -	xx -	xxxx	\$3,718	312	246
CGSA-3L -	xxxxx -	x -	78903030 -	xx -	xx -	xx -	xxxx	\$3,766	308	250
CGSA-3L -	xxxxx -	x -	78963030 -	xx -	xx -	xx -	xxxx	\$3,814	303	255
*CGSA-3L -	xxxxx -	x -	84483030 -	xx -	xx -	xx -	xxxx	\$3,475	336	222
CGSA-3L -	xxxxx -	x -	84603030 -	xx -	xx -	xx -	xxxx	\$3,573	327	231
CGSA-3L -	xxxxx -	x -	84663030 -	xx -	xx -	xx -	xxxx	\$3,620	322	236
CGSA-3L -	xxxxx -	x -	84723030 -	xx -	xx -	xx -	xxxx	\$3,668	317	241
CGSA-3L -	xxxxx -	x -	84783030 -	xx -	xx -	xx -	xxxx	\$3,718	312	246
CGSA-3L -	xxxxx -	x -	84843030 -	xx -	xx -	xx -	xxxx	\$3,766	308	250
CGSA-3L -	xxxxx -	x -	84903030 -	xx -	xx -	xx -	xxxx	\$3,814	303	255
CGSA-3L -	xxxxx -	x -	84963030 -	xx -	xx -	xx -	xxxx	\$3,862	298	260
*CGSA-3L -	xxxxx -	x -	90483030 -	xx -	xx -	xx -	xxxx	\$3,525	331	227
CGSA-3L -	xxxxx -	x -	90603030 -	xx -	xx -	xx -	xxxx	\$3,620	322	236
CGSA-3L -	xxxxx -	x -	90663030 -	xx -	xx -	xx -	xxxx	\$3,668	317	241
CGSA-3L -	xxxxx -	x -	90723030 -	xx -	xx -	xx -	xxxx	\$3,718	312	246
CGSA-3L -	xxxxx -	x -	90783030 -	xx -	xx -	xx -	xxxx	\$3,766	308	250
CGSA-3L -	xxxxx -	x -	90843030 -	xx -	xx -	xx -	xxxx	\$3,814	303	255
CGSA-3L -	xxxxx -	x -	90903030 -	xx -	xx -	xx -	xxxx	\$3,862	298	260
CGSA-3L -	xxxxx -	x -	90963030 -	xx -	xx -	xx -	xxxx	\$3,912	293	265
*CGSA-3L -	xxxxx -	x -	96483030 -	xx -	xx -	xx -	xxxx	\$3,573	327	231
CGSA-3L -	xxxxx -	x -	96603030 -	xx -	xx -	xx -	xxxx	\$3,668	317	241
CGSA-3L -	xxxxx -	x -	96663030 -	xx -	xx -	xx -	xxxx	\$3,718	312	246
CGSA-3L -	xxxxx -	x -	96723030 -	xx -	xx -	xx -	xxxx	\$3,766	308	250
CGSA-3L -	xxxxx -	x -	96783030 -	xx -	xx -	xx -	xxxx	\$3,814	303	255
CGSA-3L -	xxxxx -	x -	96843030 -	xx -	xx -	xx -	xxxx	\$3,862	298	260
CGSA-3L -	xxxxx -	x -	96903030 -	xx -	xx -	xx -	xxxx	\$3,912	293	265
CGSA-3L -	xxxxx -	x -	96963030 -	xx -	xx -	xx -	xxxx	\$3,960	289	269

**Notes:** The upCentric vertical Cable Management Sleeve is included with Height adjustable desks. Please see page 88 for details.

L-Shape tabletops are mountable to upCentric 3-Leg Frames. | See page 37 for specifications and options. | Tabletops not sold separately.

# 120° V-shape 3-Leg Desks

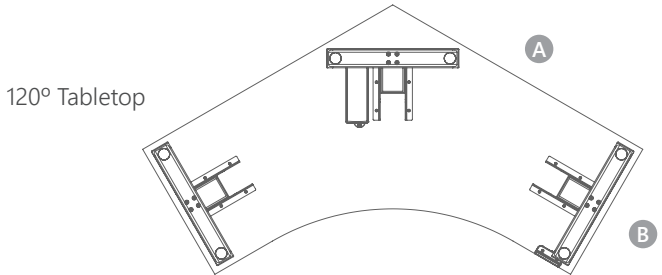


TABLE CODE							LIST PRICE	3L-120 DESKS	
FRAME TYPE	FRAME COLOUR	120° CORNER TABLE	SIZE (in.) (AxB)	FINISH	EDGE COLOUR	GROMMET HOLES	PRICE	WEIGHT CAPACITY (LB)	TABLE WEIGHT (LB)
Ex. CGSA-MOD-3L -	SILVER -	120 -	36 x 24 -	21 -	FM -	LR	\$3,820	354	155
<b>120° WING-SHAPE 3-LEG TABLE</b>									
CGSA-MOD-3L -	xxxxx -	120 -	36 x 24 -	xx-	xx-	xx	\$3,820	354	155
CGSA-MOD-3L -	xxxxx -	120 -	42 x 24 -	xx-	xx-	xx	\$3,820	347	162
CGSA-MOD-3L -	xxxxx -	120 -	48 x 24 -	xx-	xx-	xx	\$3,887	339	170
CGSA-MOD-3L -	xxxxx -	120 -	54 x 24 -	xx-	xx-	xx	\$3,887	332	177
CGSA-MOD-3L -	xxxxx -	120 -	36 x 30 -	xx-	xx-	xx	\$3,820	343	166
CGSA-MOD-3L -	xxxxx -	120 -	42 x 30 -	xx-	xx-	xx	\$3,887	334	176

- 1
- 2
- 3
- 4
- 5
- 6

1 Select frame type

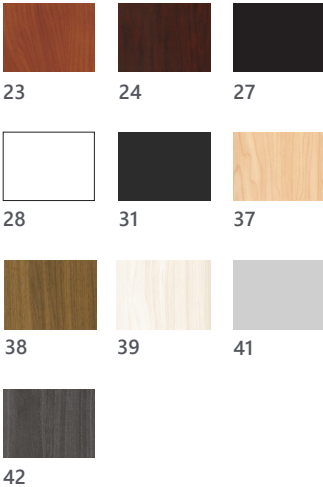
2 Select frame color



White

3 Choose tabletop size

4 Select laminate finish



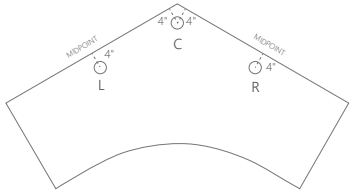
5 Select edge band finish

Edge Band	
Finish Match Edge	-FM
Choice Match Edge*	-XX

\* Select from one of the finishes in step 4

6 Add grommet holes to work surface

See page 17 for the options of grommet placements.



Notes: The upCentric vertical Cable Management Sleeve is included with Height adjustable desks. Please see page 88 for details.

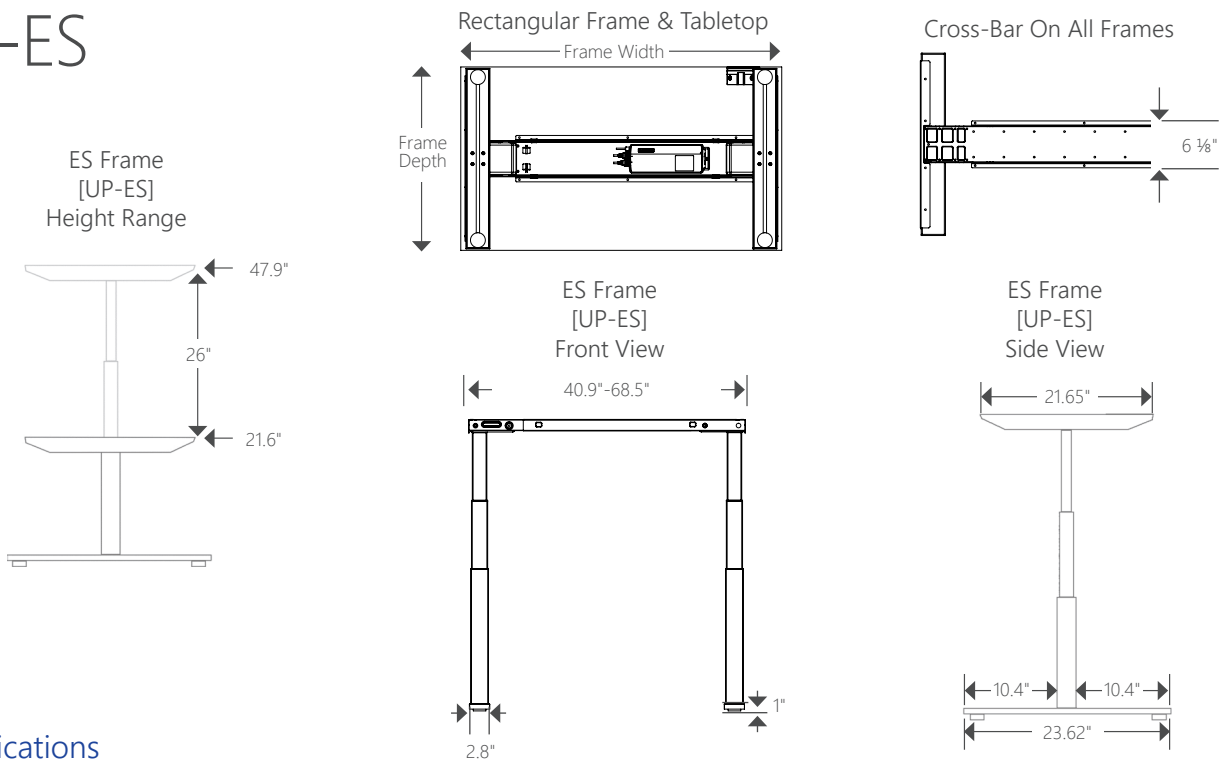
Frame feet are 22" long. | See page 37 for specifications and options. | Tabletops not sold separately.





# upCentric Height Adjustable Tables Technical Specs and Options

# UP-ES



## Specifications

	UP-ES FRAME
Frame code	UP-ES
Height range*	21.6" - 47.9"
Width range	40.9" - 68.5"
Depth of foot (tabletop bracket)†	23.6" (21.65")
Assembly time	10-15 minutes
Travel speed	1.6" per second
Digital memory control buttons	4-Position memory
Weight capacity**	220 lbs
Electric TiMOTION® motors	2 Motors
Max power draw	180 W
Standby power draw	<0.1 W
Sound level	39 dB
Accommodates tabletop sizes	24"X42" up to 30"X72"
Frame finish	Silver, Black or White
Power cord length	118"
Anti-collision gyro sensor	Standard
One-touch adjustment preset	Standard
Frame weight	53 lbs
Certification	CSA/UL Listed   BIFMA G1   BIFMA X5.5   BIFMA e3 Level 2   GREENGUARD Gold®

Options	Code	List Price
Caster, set of 4	CAS4	\$84
Single caster	CAS	\$27

\* The height range does not include the thickness of the tabletop.

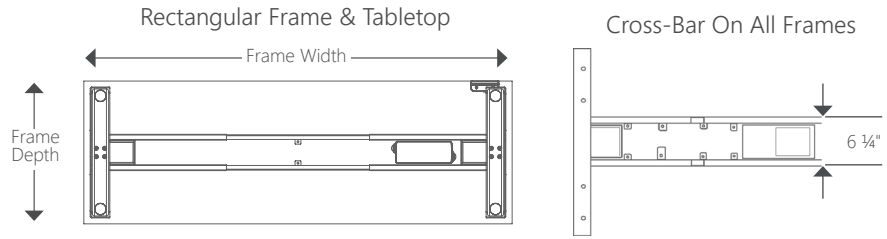
† Refers to depth of the bracket which tabletops are mounted to.

\*\* Frame weight capacity based on standard operation, used in combination with a 1" thick table top, constructed with 45 lbs particleboard and high-pressure laminate, within the range of sizes offered by ergoCentric Seating Systems. See page 21 for individual table weights and weight capacities.

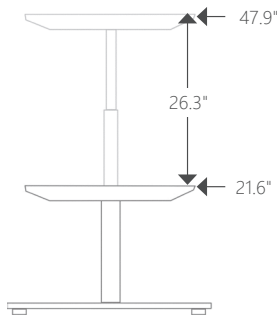
# UP-2LV Table Specifications

\* The height range does not include the thickness of the tabletop.

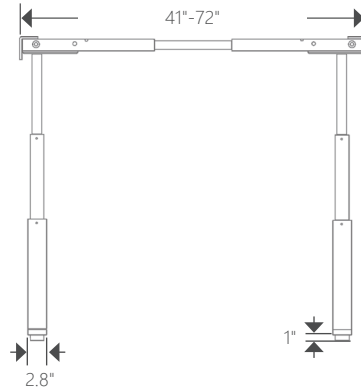
† Refers to depth of the bracket which tabletops are mounted to.



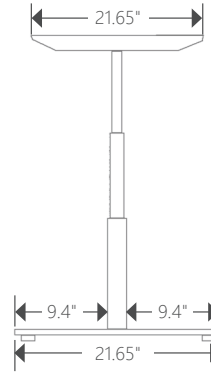
2LV Frame  
[CGSA-2L-22 & CGSA-2L-29]  
Height Range



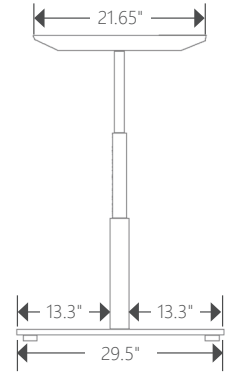
2LV Frame  
[CGSA-2LV-22 & CGSA-2LV-29]  
Front View



2LV-22 Frame  
[CGSA-2LV-22]  
Side View



2LV-29 Frame  
[CGSA-2LV-29]  
Side View



## Specifications

	2LV-22 FRAME	2LV-29 FRAME
Frame code	CGSA-2LV-22	CGSA-2LV-29
Height range*	21.6"-47.9"	21.6"-47.9"
Width range	41.3"-72.8"	41.3"-72.8"
Depth of foot (tabletop bracket)†	21.65" (21.65")	29.5" (21.65")
Assembly time	15-25 minutes	15-25 minutes
Travel speed	1.6" per second	1.6" per second
Digital memory control buttons	4-Position memory	4-Position memory
Weight capacity**	260 lbs	260 lbs
Electric TiMOTION® motors	2 Motors	2 Motors
Max power draw	180 W	180 W
Standby power draw	<0.1 W	<0.1 W
Sound level	39 dB	39 dB
Accommodates tabletop sizes	22"x44" up to 28"x84"	29"x44" up to 36"x84"
Frame finish	Silver, black or White	Silver, Black or White
Power cord length	71"	71"
Anti-collision gyro sensor	Standard	Standard
One-touch adjustment preset	Standard	Standard
Frame weight	73 lbs	80 lbs
Battery option	Not Available	Not Available
Certification	CSA/UL   GREENGUARD Gold   BIFMA e3 Level 2   BIFMA X5.5	CSA/UL   GREENGUARD Gold   BIFMA e3 Level 2   BIFMA X5.5

Options	Code	List Price
Gyro Sensor	GYROSENSOR	\$117
Caster, set of 4	CAS4	\$84
Single caster	CAS	\$27

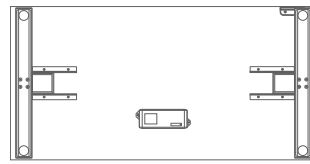
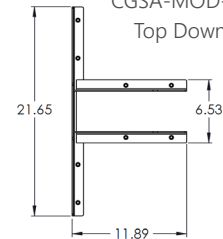
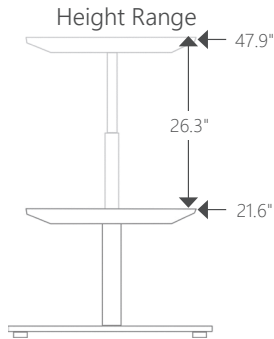
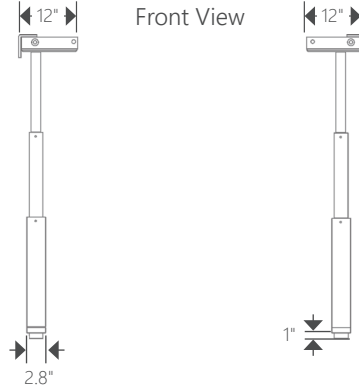
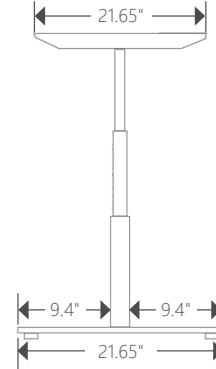
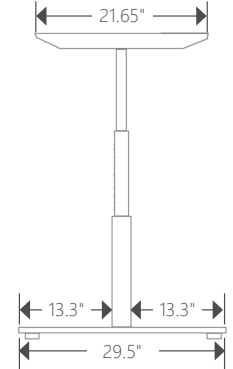
\*\* Frame weight capacity based on standard operation, used in combination with a 1" thick table top, constructed with 45 lbs particleboard and high-pressure laminate, within the range of sizes offered by ergoCentric Seating Systems. See page 20 for individual table weights and weight capacities.

# UPMOD-2LV

## Table Specifications

\* The height range does not include the thickness of the tabletop.

Rectangular Frame &amp; Tabletop


 2-Leg Modular Frames  
 [CGSA-MOD-2LV-22 &  
 CGSA-MOD-2LV-29]  
 Top Down View

 2-Leg Modular Frames  
 [CGSA-MOD-2LV-22 &  
 CGSA-MOD-2LV-29]

 2-Leg Modular Frames  
 [CGSA-MOD-2LV-22 &  
 CGSA-MOD-2LV-29]

 2-Leg 22 Modular  
 [CGSA-MOD-2LV-22]

 2-Leg Modular  
 [CGSA-MOD-2LV-29]


### Specifications

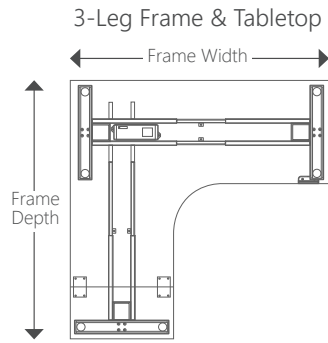
	2-LEG 22 MODULAR FRAME	2-LEG 29 MODULAR FRAME
Frame code	CGSA-MOD-2LV-22	CGSA-MOD-2LV-29
Height range*	21.6"-47.9"	21.6"-47.9"
Width range	N/A	N/A
Depth of foot (tabletop bracket)	21.65" (21.65")	29.5" (21.65")
Assembly time	15- 25 minutes	15- 25 minutes
Travel speed	1.6" per second	1.6" per second
Digital memory control buttons	4-Position memory	4-Position memory
Weight capacity**	220 lbs	220 lbs
Electric TiMOTION® motors	2 Motors	2 Motors
Max power draw	180 W	180 W
Standby power draw	<0.1 W	<0.1 W
Sound level	39 dB	39 dB
Accommodates tabletop sizes	22"d x 30" w up to 28"d x 47"w	29"d x30"w up to 36"d x 47"w
Frame finish	Silver, black or White	Silver, black or White
Power cord length	71"	71"
Anti-collision gyro sensor	Standard	Standard
One-touch adjustment preset	Standard	Standard
Frame weight	73 lbs	80 lbs
Certification	CSA/UL   GREENGUARD Gold   BIFMA e3 Level 2   BIFMA X5.5	CSA/UL   GREENGUARD Gold   BIFMA e3 Level 2   BIFMA X5.5

Options	Code	List Price
Gyro Sensor	GYROSENSOR	\$117
Caster, set of 4	CAS4	\$84
Single caster	CAS	\$27

\*\* Frame weight capacity based on standard operation, used in combination with a 1" thick table top, constructed with 45 lbs particleboard and high-pressure laminate, within the range of sizes offered by ergoCentric Seating Systems. See page 20 for individual table weights and weight capacities.

# UP-3L Table Specifications

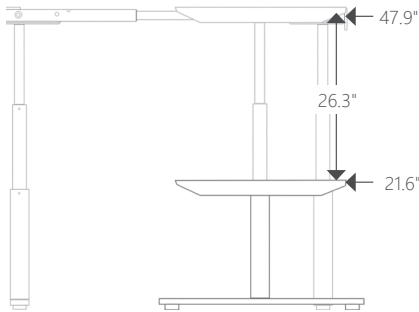
\* The height range does not include the thickness of the tabletop.  
† Refers to depth of the bracket which tabletops are mounted to.



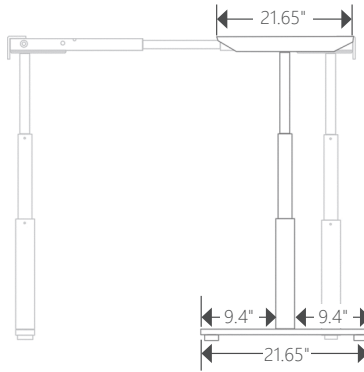
Cross-Bar On All Frames



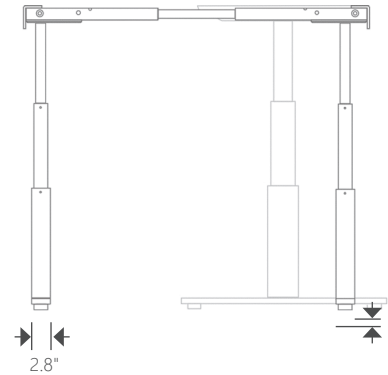
3-Leg Frame [CGSA-3L]  
Height Range



3-Leg Frame [CGSA-3L]  
Side View



3-Leg Frame [CGSA-3L]  
Front View



## Specifications

	3-LEG FRAME
Frame code	CGSA-3L
Height range*	21.6"-47.9"
Width range	Long side 46"-77"   Short side 42"-72"
Depth of frame	21.65"(21.65")†
Assembly time	20-30 minutes
Travel speed	1.6" per second
Digital memory control buttons	4-Position memory
Weight capacity**	420 lbs
Electric TiMOTION® motors	3 Motors
Max power draw	280 W
Standby power draw	<0.1 W
Sound level	39 dB
Accommodates tabletop sizes	Main frame: 48"- 96"   Extension leg: 42"- 96"
Frame finish	White, silver or black
Power cord length	71"
Anti-collision gyro sensor	Standard
One-touch adjustment preset	Standard
Frame weight	138 lbs
Battery option	Not Available
Certification	CSA/UL   GREENGUARD Gold   BIFMA e3 Level 2   BIFMA X5.5

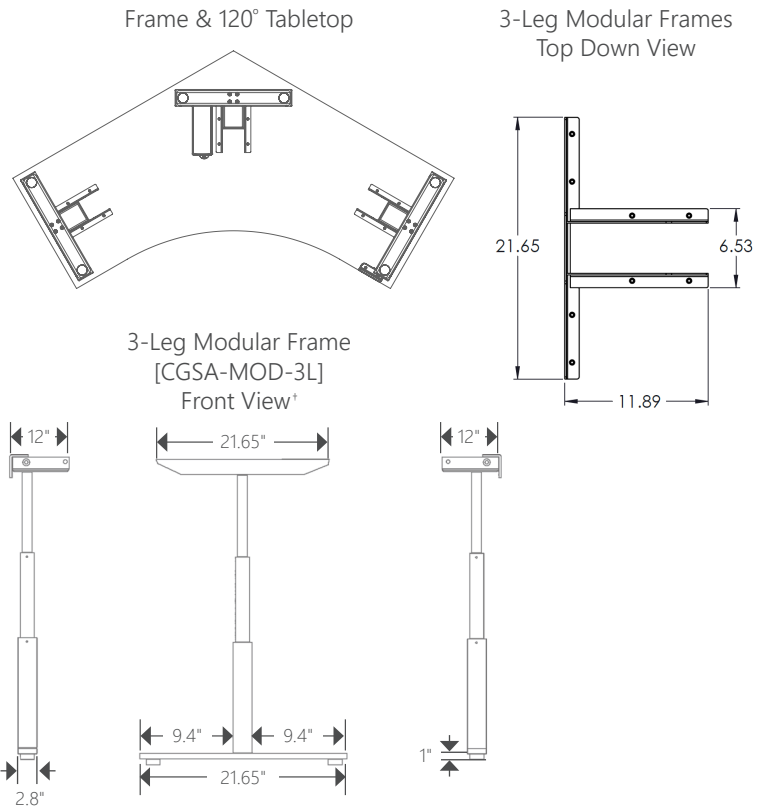
Options	Code	List Price
Gyro Sensor	GYROSENSOR	\$117
Peg Leg White	PEG-WH	\$126
Peg Leg Black	PEG-BK	\$126
Peg Leg Silver	PEG-SL	\$126

\*\* Frame weight capacity based on standard operation, used in combination with a 1" thick table top, constructed with 45 lbs particleboard and high-pressure laminate, within the range of sizes offered by ergoCentric Seating Systems. See page 23-31 for individual table weights and weight capacities.

# UPMOD-3L Table Specifications

\* The height range does not include the thickness of the tabletop.

† Representation of the legs at 0° and 90° respectively.



## Specifications

	3-LEG MODULAR FRAME
Frame code	CGSA-MOD-3L
Height range*	21.6" - 47.9"
Width range	24" Depth: 36" - 54"   30" Depth: 36" - 42"
Depth of foot (tabletop bracket)†	21.65" (21.65")
Assembly time	20 - 30 minutes
Travel speed	1.6" per second
Digital memory control buttons	4-Position memory
Weight capacity**	400 lbs
Electric TiMOTION® motors	3 Motors
Max power draw	280 W
Standby power draw	<0.1 W
Sound level	39 dB
Accommodates tabletop sizes	24" Depth: 36" - 54"   30" Depth: 36" - 42"
Frame finish	Silver, black or White
Power cord length	71"
Anti-collision gyro sensor	Standard
One-touch adjustment preset	Standard
Frame weight	105 lbs
Battery option	Not Available
Certification	CSA/UL   GREENGUARD Gold   BIFMA e3 Level 2   BIFMA X5.5

Options	Code	List Price
Gyro Sensor	GYROSENSOR	\$117

\*\* Frame weight capacity based on standard operation, used in combination with a 1" thick table top, constructed with 45 lbs particleboard and high-pressure laminate, within the range of sizes offered by ergoCentric Seating Systems. See page 32 for individual table weights and weight capacities.



# Fixed height desks

Category 2 - Work Surface Products

# How to order Fixed height desks

TABLE CODE						LIST PRICE
FRAME TYPE	FRAME COLOUR	SIZE (in.) (AxB)	FINISH	EDGE COLOUR	GROMMET HOLES	PRICE
Ex. FH2L -	SILVER -	24 x 36 -	21 -	FM -	LR	\$1,037
FIXED 2L TABLES WITH GLIDES						
CGSA-FH2L -	xxxxx -	24 x 36 -	xx -	xx -	xx	\$1,037
CGSA-FH2L -	xxxxx -	24 x 42 -	xx -	xx -	xx	\$1,037
CGSA-FH2L -	xxxxx -	24 x 48 -	xx -	xx -	xx	\$1,121
CGSA-FH2L -	xxxxx -	24 x 54 -	xx -	xx -	xx	\$1,155
CGSA-FH2L -	xxxxx -	24 x 60 -	xx -	xx -	xx	\$1,189
CGSA-FH2L -	xxxxx -	24 x 66 -	xx -	xx -	xx	\$1,224

1

2

3

4

5

6

1 Select frame type

2 Select frame colour



Silver



Black

3 Choose tabletop size

4 Select laminate finish



23



24



27



28



31



37



38



39



41



42

5 Select edge band finish

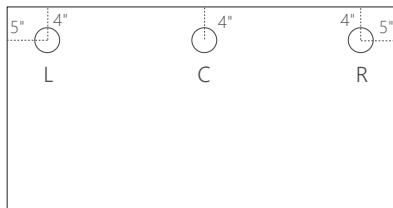
Edge Band

Finish Match Edge -FM

Choice Match Edge\* -XX

\* Select from one of the finishes in step 4

6 Add grommet holes to work surface





# Fixed Height 2L Training Room Tables

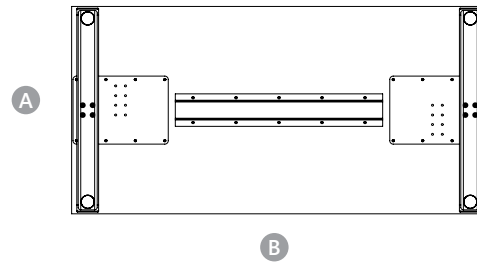
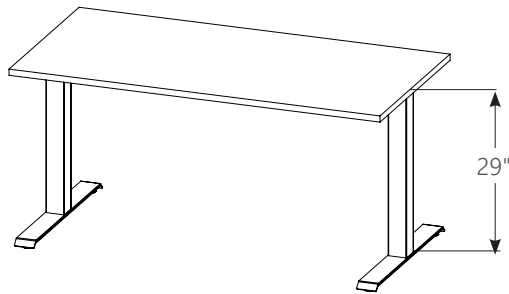


TABLE CODE						LIST PRICE
FRAME TYPE	FRAME COLOUR	SIZE (in.) (AxB)	FINISH	EDGE COLOUR	GROMMET HOLES	PRICE
Ex. CGSA-FH2L -	SILVER -	24 x 30 -	21 -	FM -	LR	\$1,037
<b>FIXED 2L TABLES WITH GLIDES</b>						
CGSA-FH2L -	xxxxx -	24 x 30 -	xx -	xx -	xx	\$1,037
CGSA-FH2L -	xxxxx -	24 x 36 -	xx -	xx -	xx	\$1,037
CGSA-FH2L -	xxxxx -	24 x 42 -	xx -	xx -	xx	\$1,037
CGSA-FH2L -	xxxxx -	24 x 48 -	xx -	xx -	xx	\$1,121
CGSA-FH2L -	xxxxx -	24 x 54 -	xx -	xx -	xx	\$1,155
CGSA-FH2L -	xxxxx -	24 x 60 -	xx -	xx -	xx	\$1,189
CGSA-FH2L -	xxxxx -	24 x 66 -	xx -	xx -	xx	\$1,224
CGSA-FH2L -	xxxxx -	24 x 72 -	xx -	xx -	xx	\$1,257
CGSA-FH2L -	xxxxx -	24 x 78 -	xx -	xx -	xx	\$1,292
CGSA-FH2L -	xxxxx -	24 x 84 -	xx -	xx -	xx	\$1,326
CGSA-FH2L -	xxxxx -	30 x 36 -	xx -	xx -	xx	\$1,141
CGSA-FH2L -	xxxxx -	30 x 42 -	xx -	xx -	xx	\$1,141
CGSA-FH2L -	xxxxx -	30 x 48 -	xx -	xx -	xx	\$1,234
CGSA-FH2L -	xxxxx -	30 x 54 -	xx -	xx -	xx	\$1,277
CGSA-FH2L -	xxxxx -	30 x 60 -	xx -	xx -	xx	\$1,320
CGSA-FH2L -	xxxxx -	30 x 66 -	xx -	xx -	xx	\$1,363
CGSA-FH2L -	xxxxx -	30 x 72 -	xx -	xx -	xx	\$1,404
CGSA-FH2L -	xxxxx -	30 x 78 -	xx -	xx -	xx	\$1,447
CGSA-FH2L -	xxxxx -	30 x 84 -	xx -	xx -	xx	\$1,490
CGSA-FH2L -	xxxxx -	36 x 48 -	xx -	xx -	xx	\$1,381
CGSA-FH2L -	xxxxx -	36 x 54 -	xx -	xx -	xx	\$1,535
CGSA-FH2L -	xxxxx -	36 x 60 -	xx -	xx -	xx	\$1,657
CGSA-FH2L -	xxxxx -	36 x 66 -	xx -	xx -	xx	\$1,705
CGSA-FH2L -	xxxxx -	36 x 72 -	xx -	xx -	xx	\$1,748
CGSA-FH2L -	xxxxx -	36 x 78 -	xx -	xx -	xx	\$1,785
CGSA-FH2L -	xxxxx -	36 x 84 -	xx -	xx -	xx	\$1,817



### T-Legs

- 70mm Square Tube Leg with 22" or 29" feet, depending on depth
- Powder Coat Painted Steel – Silver or Black
- Lowest exact height of table is 28 ¾", with ½" adjustable glides

# Post Leg Work Tables

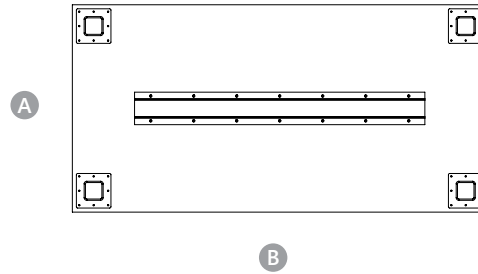
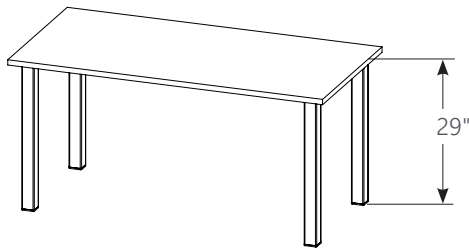


TABLE CODE						LIST PRICE
FRAME TYPE	FRAME COLOUR	SIZE (in.) (AxB)	FINISH	EDGE COLOUR	GROMMET HOLES	PRICE
Ex. CGSA-UFP -	SILVER -	24 x 30 -	21 -	FM -	LR	\$730
POST LEG WORK TABLE						
CGSA-UFP -	xxxxx -	24 x 36 -	xx -	xx -	xx	\$730
CGSA-UFP -	xxxxx -	24 x 42 -	xx -	xx -	xx	\$730
CGSA-UFP -	xxxxx -	24 x 48 -	xx -	xx -	xx	\$730
CGSA-UFP -	xxxxx -	24 x 54 -	xx -	xx -	xx	\$912
CGSA-UFP -	xxxxx -	24 x 60 -	xx -	xx -	xx	\$912
CGSA-UFP -	xxxxx -	24 x 66 -	xx -	xx -	xx	\$939
CGSA-UFP -	xxxxx -	24 x 72 -	xx -	xx -	xx	\$964
CGSA-UFP -	xxxxx -	24 x 78 -	xx -	xx -	xx	\$982
CGSA-UFP -	xxxxx -	24 x 84 -	xx -	xx -	xx	\$982
CGSA-UFP -	xxxxx -	30 x 36 -	xx -	xx -	xx	\$886
CGSA-UFP -	xxxxx -	30 x 42 -	xx -	xx -	xx	\$886
CGSA-UFP -	xxxxx -	30 x 48 -	xx -	xx -	xx	\$886
CGSA-UFP -	xxxxx -	30 x 54 -	xx -	xx -	xx	\$939
CGSA-UFP -	xxxxx -	30 x 60 -	xx -	xx -	xx	\$964
CGSA-UFP -	xxxxx -	30 x 66 -	xx -	xx -	xx	\$1,056
CGSA-UFP -	xxxxx -	30 x 72 -	xx -	xx -	xx	\$1,094
CGSA-UFP -	xxxxx -	30 x 78 -	xx -	xx -	xx	\$1,174
CGSA-UFP -	xxxxx -	30 x 84 -	xx -	xx -	xx	\$1,174
CGSA-UFP -	xxxxx -	36 x 48 -	xx -	xx -	xx	\$964
CGSA-UFP -	xxxxx -	36 x 54 -	xx -	xx -	xx	\$1,433
CGSA-UFP -	xxxxx -	36 x 60 -	xx -	xx -	xx	\$1,433
CGSA-UFP -	xxxxx -	36 x 66 -	xx -	xx -	xx	\$1,433
CGSA-UFP -	xxxxx -	36 x 72 -	xx -	xx -	xx	\$1,467
CGSA-UFP -	xxxxx -	36 x 78 -	xx -	xx -	xx	\$1,467
CGSA-UFP -	xxxxx -	36 x 84 -	xx -	xx -	xx	\$1,467



## Post Legs

- 60mm Square Tube Leg
- Min 28 ¾" high – with a ½" adjustable glide
- Powder coat painted steel  
– black and silver



# Divider Panels

Category 5 - Ancillary Products

# How to order Panels

PRODUCT CODE					LIST PRICE		
Panel Type	Panel Material	Size	Mount Options	Bracket Colour	Grade 1	Grade 2	Grade 3
PRIVACY-FRM -	04 -	16 x 24 -	FL -	BL -	\$487	\$526	\$558
PRIVACY-FRM -	xx -	16 x 24 -	xx-	xx-	\$487	\$526	\$558
PRIVACY-FRM -	xx -	16 x 30 -	xx-	xx-	\$503	\$544	\$578
PRIVACY-FRM -	xx -	16 x 36 -	xx-	xx-	\$521	\$563	\$597

1

2

3

## 1 Select Panel Type

- Privacy Panels
- Framed Privacy Panels
- Privacy Panels

## 2 Select Panel Material or Colour

See page 85-86 for panel material and colour options

## 3 Choose Panel Size

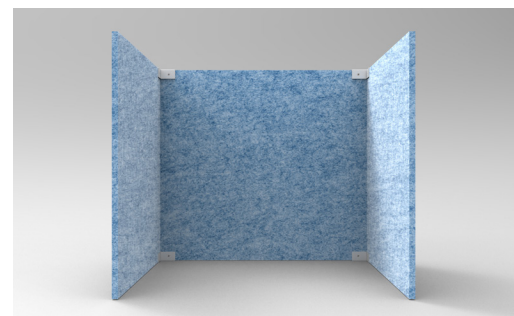
**Notes:** additional bracket options available for privacy panels and framed privacy panels.



## To make L-shaped or U-shaped non-framed Privacy Panels

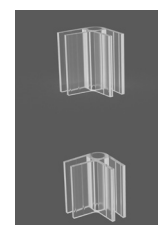
- Use Corner connectors to make 2-piece L-shaped or 3-piece U-shaped non-framed privacy panels
- Each corner connector kit includes 2 connectors
- L-shaped panels require one corner connector kit
- U-shaped panels require two corner connector kits
- Acrylic corner connector kit is used for acrylic panels
- Metal corner connector kit is used for decorative acoustic panels

Options	Code	List Price
Corner Connector Kit, Acrylic	CRN-KIT-ACR	\$18
Corner Connector Kit, Metal	CRN-KIT-DAP	\$48

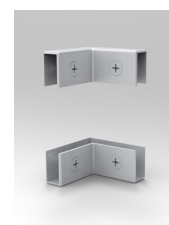


**Notes:** Corner connector kit can be used on Modesty+Privacy panels.

Framed Privacy Panels do not require a connector kit for L-Shaped or U Shaped configurations  
- They are rigid enough to maintain position without connectors



CRN-KIT-ACR



CRN-KIT-DAP

# Panel Material Options

## - Privacy Panels and Framed Privacy Panels

### Decorative Acoustic Panels (Grade 1)

- Acoustic panels absorb internal and external sound influences reducing the noise level in a room
- Sturdy, tackable, recycled plastic
- Available in 6 colours
- Privacy Panels are 1/2" thick, Framed Privacy Panels are 3/4" thick



Blue 01



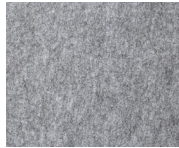
Navy 02



Cream 03



Silver 04



Gray 05



Ash 06



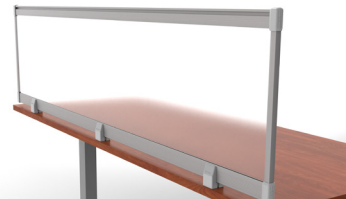
### Clear Acrylic Panels (Grade 1)

- Shatter-resistant thermoplastics
- Aesthetically pleasing, durable
- Privacy Panels are 1/4" thick, Framed Privacy Panels are 3/4" thick



### Frosted Acrylic Panels (Grade 2)

- Shatter-resistant thermoplastics
- Aesthetically pleasing, durable, visual privacy
- Privacy Panels are 1/4" thick, Framed Privacy Panels are 3/4" thick



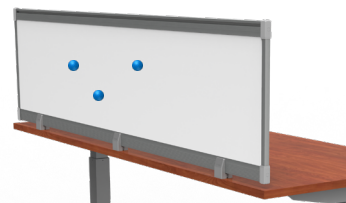
### Whiteboard Panels (Grade 2)

- High Pressure Laminates
- Writable surface, easy dry erase
- Framed Privacy Panels only, 3/4" thick



### Magnetic Whiteboard Panels (Grade 3)

- High Pressure Laminates
- Writable surface, easy dry erase, use as pinboard
- Framed Privacy Panels only, 3/4" thick



# Panel Material Options

## - Modesty Panels and Modesty+Privacy Panels

### Decorative Acoustic Panels [DAP]

- Acoustic panels absorb internal and external sound influences reducing the noise level in a room
- Sturdy, tackable, recycled plastic
- ½" thick and available in 6 colours
- Modesty Panels and Modesty+Privacy Panels



Blue 01



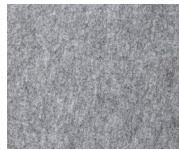
Navy 02



Cream 03



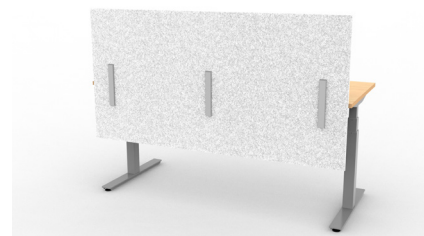
Silver 04



Gray 05



Ash 06



### High Pressure Laminates [HPL]

- Stylish, attractive and perfectly match surface finish
- Durable, easy to clean and disinfect
- 1" thick and available in 10 finishes
- Modesty Panels only



23 Wild Cherry



24 Figured Mahogany



27 Black



28 Designer White



31 Charcoal



37 Manitoba Maple



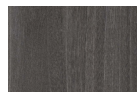
38 Sap Walnut



39 White Cypress



41 Light Grey



42 Graphite Wood



Double sided laminates



Single sided laminates

**Notes:**

Nominal sizes are used in product codes and do not match the exact dimensions of the panels. Panel widths are 1 ½" reduced from the nominal sizes in the panel codes. For example, a 72" wide panel will actually be 70 ½" wide.

When selecting a panel, select the panel that correlates with the tabletop size you are ordering it for. For example, if you order a 30" d x 60" w tabletop, you will need to order a 60" wide Modesty or Privacy Panel and the panel you will receive will be 58 ½" wide.

# Panel Mount Options

## - Privacy Panels and Framed Privacy Panels

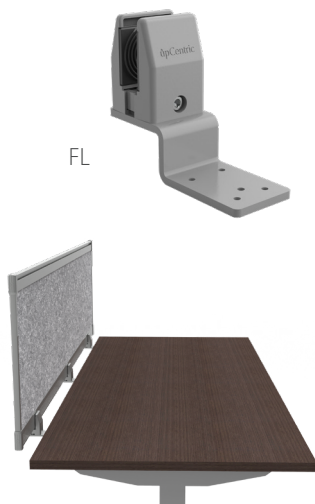
### Clamp Brackets

- For use with Privacy Panels and Framed Privacy Panels
- Available in silver and black
- **2, 3, or 4 Clamp Brackets are included with panel order depending on size of panel:**
  - 2 Clamp Brackets: 24" - 48" wide panel
  - 3 Clamp Brackets: 54" - 72" wide panel
  - 4 Clamp Brackets: 78" - 96" wide panel
- See the following pages for panel option guidelines

Options	Code
Floating mount bracket	FL
Direct mount shell clamp	DM
Clamp mount bracket*	CM

\* Clamp on table tops up to 1 1/8" thick.

To purchase additional Clamp Brackets, see parts list on page 133.



Floating Mount [FL]

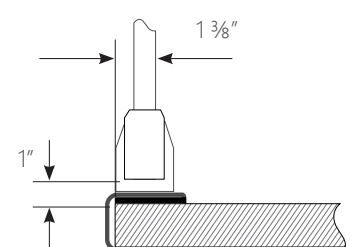
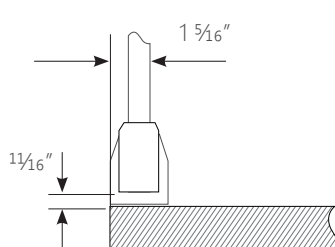
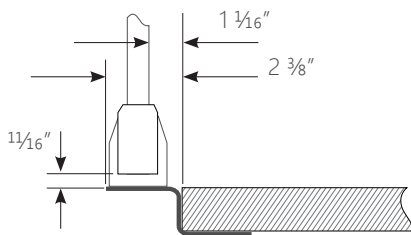


Direct Mount [DM]

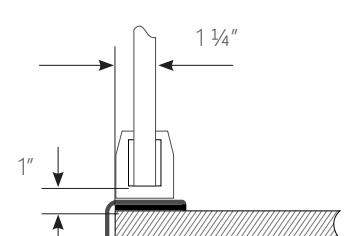
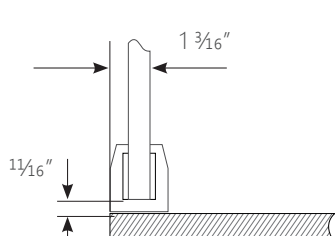
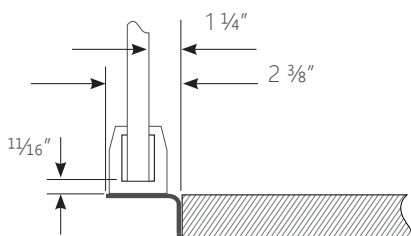


Clamp Mount [CM]

### Framed Privacy Panels



### Privacy Panels



# Panel Mount Guidelines

## - Privacy Panels and Framed Privacy Panels

### Rectangular Desk Top Guidelines

- Back Edge Panels can be attached with Floating Mount [FL], Direct Mount [DM] or Clamp Mount [CM]



Shown with FL- Back Edge DAP Panel

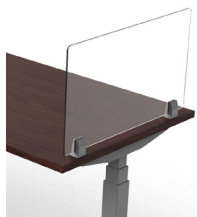


Shown with DM- Back Edge DAP Panel



Shown with CM- Back Edge DAP Panel

- Side Edge Panels can be attached with Direct Mount [DM] ONLY



Shown with Direct Mount [DM]  
Side Edge Acrylic Panel

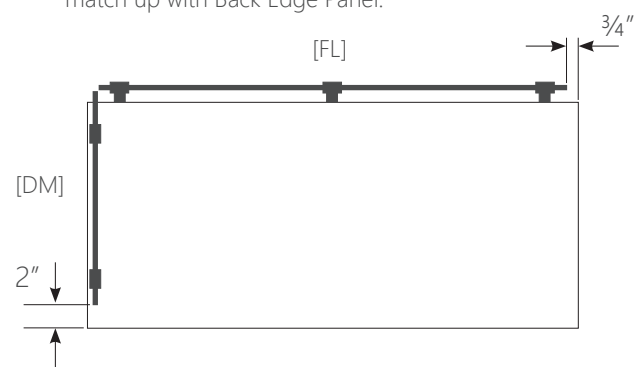
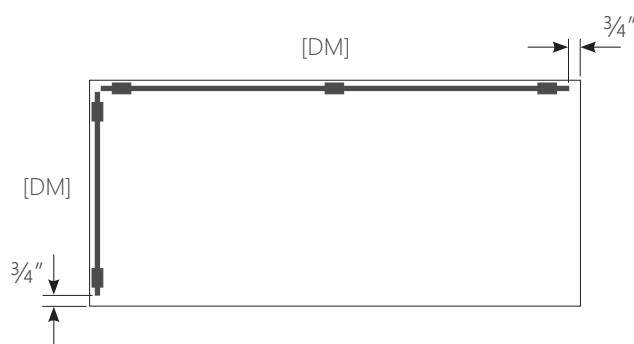
- When combined with Side Edge Panel, Back Edge Panel can only be attached with DM or FL mount

- DM- Back Edge Panel:

Back Edge Panel and Side Edge Panels are placed in the normal positions.

- FL- Back Edge Panel:

Back Edge Panel is placed in the normal position. Side Edge Panels is placed in the appropriate position to match up with Back Edge Panel.



- When combining Back Edge Panels and Side Edge Panels, the same panel material must be used for Non-Framed Privacy Panels

Warning: Failure to follow the guidelines can result in spacing, alignment, and fitment issues.



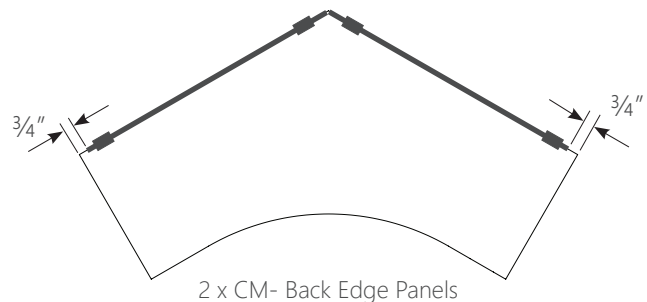
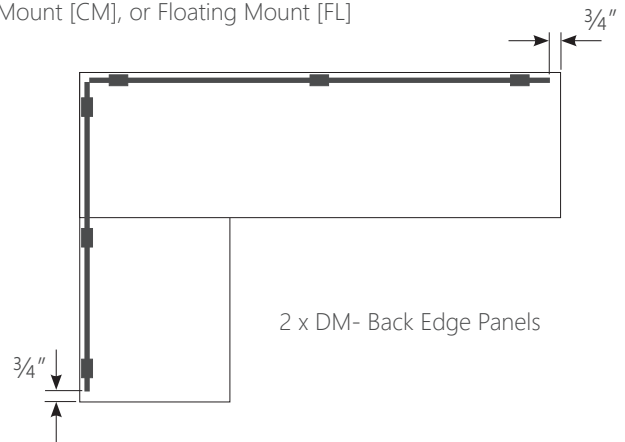
# Panel Mount Guidelines

## - Privacy Panels and Framed Privacy Panels

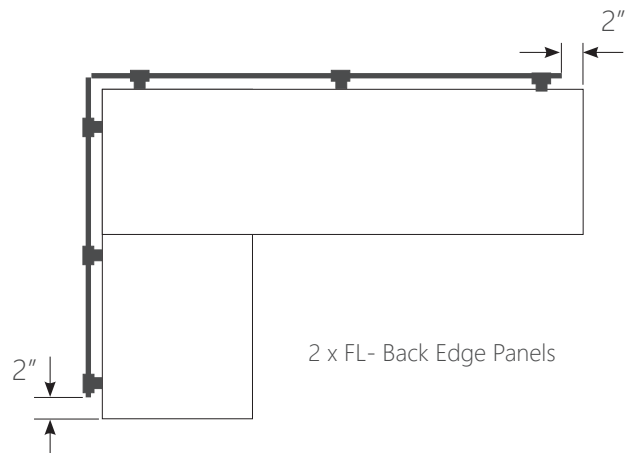
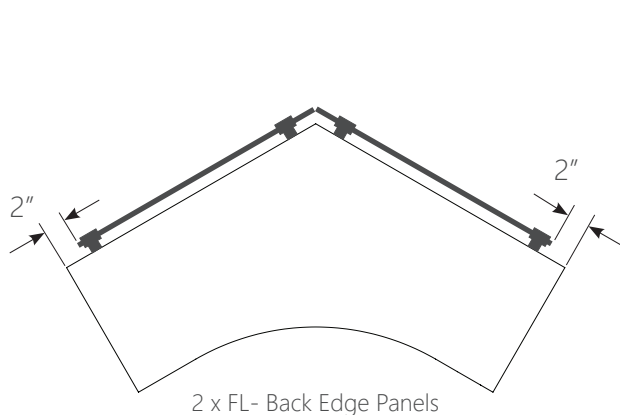
### L-shaped (3L) and V-shaped (3L-120°) Desk Top Guidelines

- Back Edge Panels can be attached with Direct Mount [DM], Clamp Mount [CM], or Floating Mount [FL]

- When combining two Back Edge Panels, the same mount options must be used.
  - 2 x DM – Back Edge Panels are placed in the normal positions.
  - 2 x CM – Back Edge Panels are placed in the normal positions.
  - 2 x FL – Back Edge Panel are placed in the appropriate position to match up with the other Back Edge Panel.



- When combining two Back Edge Panels, the same panel material must be used for Non-Framed Privacy Panels



# Panel Mount Guidelines

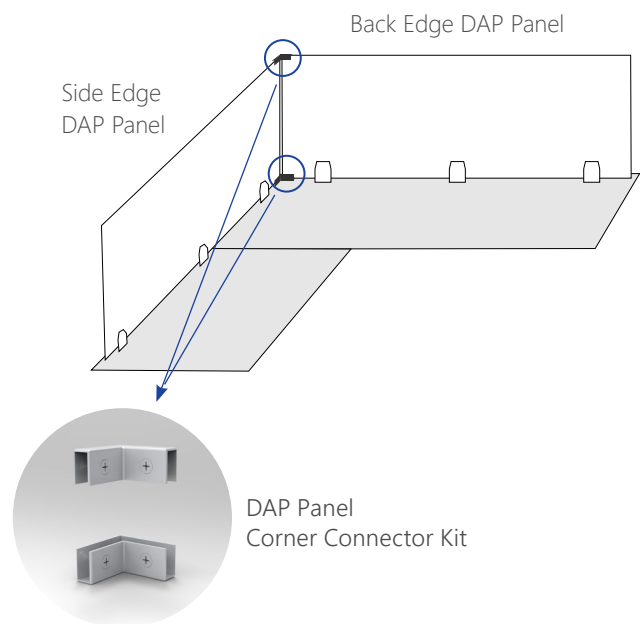
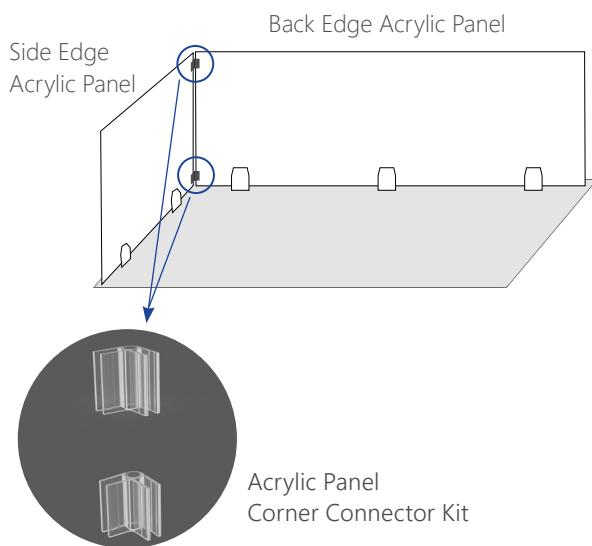
## - Privacy Panels and Framed Privacy Panels

### Connecting Guidelines - Non-Framed Privacy Panels

Rectangular desks: when combining Back Edge Panels and Side Edge Panels, the same panel material must be used

L-shaped desks: when combining Back Edge Panels and Back Edge Panels, the same panel material must be used

Use Acrylic Corner Connector Kit [CRN-KIT-ACR] to connect Acrylic Panels, and DAP Corner Connector Kit [CRN-KIT-DAP] to connect Decorative Acoustic Panels (DAP)

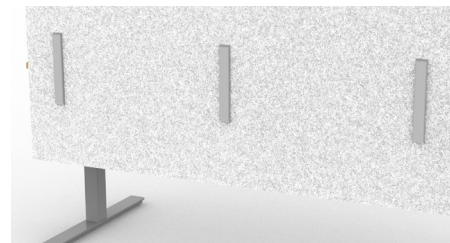
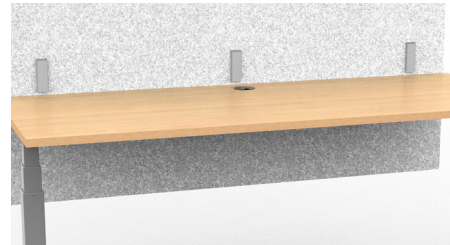


# Panel Mount Options

- Modesty Panels and Modesty+Privacy Panels

## L-shape Brackets

- For use with Modesty Panels and Modesty+Privacy Panels
- Available in silver
- Brackets are included with panel order:
  - 2 brackets: 24" - 48" wide panel
  - 3 brackets: 54" - 72" wide panel
  - 4 brackets: 78" - 96" wide panel





# Privacy Panels

Category 5 - Ancillary Products

# Side Edge Privacy Panels

Panel Type	Panel Material	Size (H x W)	Mount Option	Bracket Colour	List Price (Grade 1)	List Price (Grade 2)
Ex. PRIVACY-UNF -	01-	12 x 24 -	FL-	BL -	\$423	\$445
PRIVACY-UNF -	xx -	12 x 24 -	xx -	xx -	\$423	\$445
PRIVACY-UNF -	xx -	12 x 30 -	xx -	xx -	\$423	\$445
PRIVACY-UNF -	xx -	12 x 36 -	xx -	xx -	\$423	\$445
PRIVACY-UNF -	xx -	16 x 24 -	xx -	xx -	\$464	\$494
PRIVACY-UNF -	xx -	16 x 30 -	xx -	xx -	\$464	\$494
PRIVACY-UNF -	xx -	16 x 36 -	xx -	xx -	\$464	\$494
PRIVACY-UNF -	xx -	20 x 24 -	xx -	xx -	\$536	\$579
PRIVACY-UNF -	xx -	20 x 30 -	xx -	xx -	\$536	\$579
PRIVACY-UNF -	xx -	20 x 36 -	xx -	xx -	\$536	\$579
PRIVACY-UNF -	xx -	24 x 24 -	xx -	xx -	\$555	\$600
PRIVACY-UNF -	xx -	24 x 30 -	xx -	xx -	\$555	\$600
PRIVACY-UNF -	xx -	24 x 36 -	xx -	xx -	\$555	\$600

Panel Bracket Colour	Code
Black	BL
Silver	SL

Grade 1 Materials	Code
Blue Decorative Acoustic Panel	01
Navy Decorative Acoustic Panel	02
Cream Decorative Acoustic Panel	03
Silver Decorative Acoustic Panel	04
Gray Decorative Acoustic Panel	05
Ash Decorative Acoustic Panel	06
Clear Acrylic Panel	CL

Grade 2 Materials	Code
Frosted Acrylic Panel	FR

Mount Options	Code	List Price
Direct mount shell clamp	DM	No Charge

## Side Edge Privacy Panels

- Non-framed acoustic or acrylic privacy panels
- Height options: 12", 16", 20", 24"
- Width options: 24", 30", 36"
- Direct mount only
- 2 clamp brackets included
- See panel mount options and rules on page 85 - 91



# Back Edge Privacy Panels

Panel Type	Panel Material	Size (H x W)	Mount Option	Bracket Colour	List Price (Grade 1)	List Price (Grade 2)
PRIVACY-UNF -	01-	12 x 42 -	FL-	BL -	\$423	\$445
Ex. PRIVACY-UNF -	xx -	12 x 42 -	xx -	xx -	\$423	\$445
PRIVACY-UNF -	xx -	12 x 48 -	xx -	xx -	\$429	\$451
PRIVACY-UNF -	xx -	12 x 54 -	xx -	xx -	\$551	\$595
PRIVACY-UNF -	xx -	12 x 60 -	xx -	xx -	\$587	\$631
PRIVACY-UNF -	xx -	12 x 66 -	xx -	xx -	\$593	\$638
PRIVACY-UNF -	xx -	12 x 72 -	xx -	xx -	\$593	\$638
PRIVACY-UNF -	xx -	12 x 78 -	xx -	xx -	\$599	\$643
PRIVACY-UNF -	xx -	12 x 84 -	xx -	xx -	\$635	\$680
PRIVACY-UNF -	xx -	16 x 42 -	xx -	xx -	\$464	\$494
PRIVACY-UNF -	xx -	16 x 48 -	xx -	xx -	\$470	\$499
PRIVACY-UNF -	xx -	16 x 54 -	xx -	xx -	\$632	\$692
PRIVACY-UNF -	xx -	16 x 60 -	xx -	xx -	\$669	\$728
PRIVACY-UNF -	xx -	16 x 66 -	xx -	xx -	\$674	\$735
PRIVACY-UNF -	xx -	16 x 72 -	xx -	xx -	\$674	\$735
PRIVACY-UNF -	xx -	16 x 78 -	xx -	xx -	\$681	\$740
PRIVACY-UNF -	xx -	16 x 84 -	xx -	xx -	\$717	\$777
PRIVACY-UNF -	xx -	20 x 42 -	xx -	xx -	\$536	\$579
PRIVACY-UNF -	xx -	20 x 48 -	xx -	xx -	\$541	\$584
PRIVACY-UNF -	xx -	20 x 54 -	xx -	xx -	\$780	\$867
PRIVACY-UNF -	xx -	20 x 60 -	xx -	xx -	\$815	\$902
PRIVACY-UNF -	xx -	20 x 66 -	xx -	xx -	\$822	\$909
PRIVACY-UNF -	xx -	20 x 72 -	xx -	xx -	\$822	\$909
PRIVACY-UNF -	xx -	20 x 78 -	xx -	xx -	\$827	\$914
PRIVACY-UNF -	xx -	20 x 84 -	xx -	xx -	\$863	\$950
PRIVACY-UNF -	xx -	24 x 42 -	xx -	xx -	\$555	\$600
PRIVACY-UNF -	xx -	24 x 48 -	xx -	xx -	\$560	\$606
PRIVACY-UNF -	xx -	24 x 54 -	xx -	xx -	\$810	\$900
PRIVACY-UNF -	xx -	24 x 60 -	xx -	xx -	\$846	\$937
PRIVACY-UNF -	xx -	24 x 66 -	xx -	xx -	\$853	\$943
PRIVACY-UNF -	xx -	24 x 72 -	xx -	xx -	\$853	\$943
PRIVACY-UNF -	xx -	24 x 78 -	xx -	xx -	\$858	\$949
PRIVACY-UNF -	xx -	24 x 84 -	xx -	xx -	\$896	\$986



Panel Bracket Colour	Code
Black	BL
Silver	SL

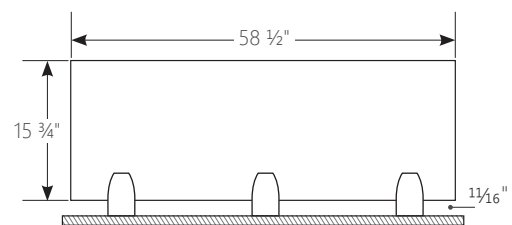
Grade 1 Materials	Code
Blue Decorative Acoustic Panel	01
Navy Decorative Acoustic Panel	02
Cream Decorative Acoustic Panel	03
Silver Decorative Acoustic Panel	04
Gray Decorative Acoustic Panel	05
Ash Decorative Acoustic Panel	06
Clear Acrylic Panel	CL

Grade 2 Materials	Code
Frosted Acrylic Panel	FR

Mount Options	Code	List Price
Floating mount bracket	FL	No Charge
Direct mount shell clamp	DM	No Charge
Clamp mounting bracket	CM	No Charge

## Back Edge Privacy Panels

- Non-framed acoustic or acrylic privacy panels
- Height options: 12", 16", 20", 24"
- Width options: 42" - 84" (in 6" increments)
- Clamp Brackets:
  - 2 Clamp Brackets: 42" - 48" wide panel
  - 3 Clamp Brackets: 54" - 72" wide panel
  - 4 Clamp Brackets: 78" - 84" wide panel
- Select one of the following panel mount options:
  - Floating mount bracket [FL],
  - Direct mount shell clamp [DM], or
  - Clamp mount bracket [CM]
- See panel mount options and rules on page 85 - 91



ex. PRIVACY-UNF-01-16X60  
shown with 3 direct mount to surface brackets



# Framed Privacy Panels

Category 5 - Ancillary Products

# Side Edge Framed Privacy Panels

	Panel Type	Panel Material	Size (H x W)	Mount Option	Bracket Colour	List Price (Grade 1)	List Price (Grade 2)	List Price (Grade 3)
Ex.	PRIVACY-FRM -	04 -	16 x 24 -	FL -	BL -	\$487	\$526	\$558
	PRIVACY-FRM -	xx -	16 x 24 -	xx -	xx -	\$487	\$526	\$558
	PRIVACY-FRM -	xx -	16 x 30 -	xx -	xx -	\$503	\$544	\$578
	PRIVACY-FRM -	xx -	16 x 36 -	xx -	xx -	\$521	\$563	\$597
	PRIVACY-FRM -	xx -	20 x 24 -	xx -	xx -	\$528	\$571	\$607
	PRIVACY-FRM -	xx -	20 x 30 -	xx -	xx -	\$543	\$587	\$624
	PRIVACY-FRM -	xx -	20 x 36 -	xx -	xx -	\$560	\$606	\$643
	PRIVACY-FRM -	xx -	24 x 24 -	xx -	xx -	\$569	\$615	\$654
	PRIVACY-FRM -	xx -	24 x 30 -	xx -	xx -	\$587	\$636	\$676
	PRIVACY-FRM -	xx -	24 x 36 -	xx -	xx -	\$637	\$689	\$733
	PRIVACY-FRM -	xx -	28 x 24 -	xx -	xx -	\$596	\$645	\$686
	PRIVACY-FRM -	xx -	28 x 30 -	xx -	xx -	\$605	\$655	\$696
	PRIVACY-FRM -	xx -	28 x 36 -	xx -	xx -	\$683	\$740	\$787

Panel Bracket Colour	Code
Black	BL
Silver	SL

Grade 1 Materials	Code
Blue Decorative Acoustic Panel	01
Navy Decorative Acoustic Panel	02
Cream Decorative Acoustic Panel	03
Silver Decorative Acoustic Panel	04
Gray Decorative Acoustic Panel	05
Ash Decorative Acoustic Panel	06
Clear Acrylic Panel	CL

Grade 2 Materials	Code
Frosted Acrylic Panel	FR
Whiteboard Panel	WB

Grade 3 Materials	Code
Magnetic Whiteboard Panel	MW

Mount Options	Code	List Price
Direct mount shell clamp	DM	No Charge



## Framed Privacy Panels

- Height options: 16", 20", 24", 28"
- Width options: 24", 30", 36"
- Direct mount only
- 2 clamp brackets included
- See panel mount options and rules on page 85 - 91

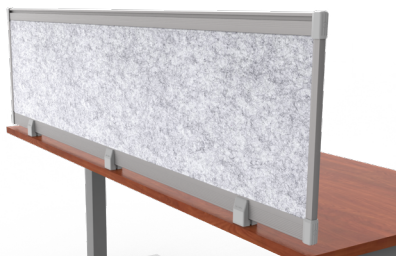


# Back Edge Framed Privacy Panels

	Panel Type	Panel Material	Size (H x W)	Mount Option	Bracket Colour	List Price (Grade 1)	List Price (Grade 2)	List Price (Grade 3)
Ex.	PRIVACY-FRM -	04 -	16 x 42 -	FL -	BL -	\$523	\$566	\$601
	PRIVACY-FRM -	xx -	16 x 42 -	xx -	xx -	\$523	\$566	\$601
	PRIVACY-FRM -	xx -	16 x 48 -	xx -	xx -	\$624	\$675	\$718
	PRIVACY-FRM -	xx -	16 x 54 -	xx -	xx -	\$658	\$713	\$758
	PRIVACY-FRM -	xx -	16 x 60 -	xx -	xx -	\$692	\$750	\$797
	PRIVACY-FRM -	xx -	16 x 66 -	xx -	xx -	\$790	\$857	\$912
	PRIVACY-FRM -	xx -	16 x 72 -	xx -	xx -	\$825	\$895	\$953
	PRIVACY-FRM -	xx -	16 x 78 -	xx -	xx -	\$888	\$965	\$1,028
	PRIVACY-FRM -	xx -	16 x 84 -	xx -	xx -	\$924	\$1,002	\$1,068
	PRIVACY-FRM -	xx -	16 x 90 -	xx -	xx -	\$974	\$1,058	\$1,128
	PRIVACY-FRM -	xx -	16 x 96 -	xx -	xx -	\$987	\$1,072	\$1,143
	PRIVACY-FRM -	xx -	20 x 42 -	xx -	xx -	\$564	\$610	\$648
	PRIVACY-FRM -	xx -	20 x 48 -	xx -	xx -	\$677	\$734	\$780
	PRIVACY-FRM -	xx -	20 x 54 -	xx -	xx -	\$716	\$777	\$826
	PRIVACY-FRM -	xx -	20 x 60 -	xx -	xx -	\$757	\$821	\$873
	PRIVACY-FRM -	xx -	20 x 66 -	xx -	xx -	\$833	\$904	\$963
	PRIVACY-FRM -	xx -	20 x 72 -	xx -	xx -	\$865	\$938	\$999
	PRIVACY-FRM -	xx -	20 x 78 -	xx -	xx -	\$919	\$998	\$1,063
	PRIVACY-FRM -	xx -	20 x 84 -	xx -	xx -	\$986	\$1,071	\$1,141
	PRIVACY-FRM -	xx -	20 x 90 -	xx -	xx -	\$1,073	\$1,166	\$1,243
	PRIVACY-FRM -	xx -	20 x 96 -	xx -	xx -	\$1,089	\$1,184	\$1,262
	PRIVACY-FRM -	xx -	24 x 42 -	xx -	xx -	\$720	\$781	\$831
	PRIVACY-FRM -	xx -	24 x 48 -	xx -	xx -	\$792	\$858	\$914
	PRIVACY-FRM -	xx -	24 x 54 -	xx -	xx -	\$880	\$955	\$1,017
	PRIVACY-FRM -	xx -	24 x 60 -	xx -	xx -	\$926	\$1,005	\$1,071
	PRIVACY-FRM -	xx -	24 x 66 -	xx -	xx -	\$976	\$1,061	\$1,131
	PRIVACY-FRM -	xx -	24 x 72 -	xx -	xx -	\$1,009	\$1,096	\$1,168
	PRIVACY-FRM -	xx -	24 x 78 -	xx -	xx -	\$1,026	\$1,114	\$1,187
	PRIVACY-FRM -	xx -	24 x 84 -	xx -	xx -	\$1,039	\$1,128	\$1,202
	PRIVACY-FRM -	xx -	24 x 90 -	xx -	xx -	\$1,110	\$1,207	\$1,286
	PRIVACY-FRM -	xx -	24 x 96 -	xx -	xx -	\$1,154	\$1,254	\$1,337
	PRIVACY-FRM -	xx -	28 x 42 -	xx -	xx -	\$763	\$827	\$880
	PRIVACY-FRM -	xx -	28 x 48 -	xx -	xx -	\$813	\$883	\$940
	PRIVACY-FRM -	xx -	28 x 54 -	xx -	xx -	\$968	\$1,052	\$1,121
	PRIVACY-FRM -	xx -	28 x 60 -	xx -	xx -	\$1,019	\$1,108	\$1,180
	PRIVACY-FRM -	xx -	28 x 66 -	xx -	xx -	\$1,050	\$1,141	\$1,216
	PRIVACY-FRM -	xx -	28 x 72 -	xx -	xx -	\$1,094	\$1,188	\$1,267
	PRIVACY-FRM -	xx -	28 x 78 -	xx -	xx -	\$1,131	\$1,230	\$1,312
	PRIVACY-FRM -	xx -	28 x 84 -	xx -	xx -	\$1,154	\$1,254	\$1,337
	PRIVACY-FRM -	xx -	28 x 90 -	xx -	xx -	\$1,237	\$1,344	\$1,434
	PRIVACY-FRM -	xx -	28 x 96 -	xx -	xx -	\$1,275	\$1,386	\$1,478

## Framed Privacy Panels

- Height options: 16", 20", 24", 28"
- Width options: 42" - 96" (in 6" increments)
- Clamp Brackets:
  - 2 Clamp Brackets: 42" - 48" wide panel
  - 3 Clamp Brackets: 54" - 72" wide panel
  - 4 Clamp Brackets: 78" - 96" wide panel
- Select one of the following panel mount options:
  - Floating mount bracket [FL],
  - Direct mount shell clamp [DM], or
  - Clamp mount bracket [CM]
- See panel mount options and rules on page 85 - 91



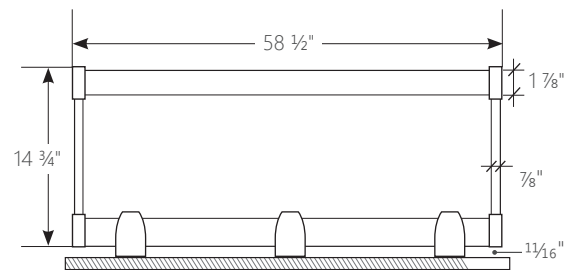
Panel Bracket Colour	Code
Black	BL
Silver	SL

Grade 1 Materials	Code
Blue Decorative Acoustic Panel	01
Navy Decorative Acoustic Panel	02
Cream Decorative Acoustic Panel	03
Silver Decorative Acoustic Panel	04
Gray Decorative Acoustic Panel	05
Ash Decorative Acoustic Panel	06
Clear Acrylic Panel	CL

Grade 2 Materials	Code
Frosted Acrylic Panel	FR
Whiteboard Panel	WB

Grade 3 Materials	Code
Magnetic Whiteboard Panel	MW

Mount Options	Code	List Price
Floating mount bracket	FL	No Charge
Direct mount shell clamp	DM	No Charge
Clamp mounting bracket	CM	No Charge



ex. PRIVACY-FRM-CL-16X60  
shown with 3 direct mount to surface brackets



# Modesty Panels

Category 5 - Ancillary Products

## Single-sided HPL Modesty Panels

	PANEL TYPE	Panel Colour	Size (H x W)	List Price
Ex.	MODESTY-HPL -	21 -	12 x 24 -	\$181
	MODESTY-HPL -	xx -	12 x 24 -	\$181
	MODESTY-HPL -	xx -	12 x 30 -	\$198
	MODESTY-HPL -	xx -	12 x 36 -	\$207
	MODESTY-HPL -	xx -	12 x 42 -	\$217
	MODESTY-HPL -	xx -	12 x 48 -	\$256
	MODESTY-HPL -	xx -	12 x 54 -	\$266
	MODESTY-HPL -	xx -	12 x 60 -	\$272
	MODESTY-HPL -	xx -	12 x 66 -	\$280
	MODESTY-HPL -	xx -	12 x 72 -	\$292
	MODESTY-HPL -	xx -	12 x 78 -	\$343
	MODESTY-HPL -	xx -	12 x 84 -	\$358
	MODESTY-HPL -	xx -	12 x 90 -	\$417
	MODESTY-HPL -	xx -	12 x 96 -	\$426
	MODESTY-HPL -	xx -	16 x 24 -	\$199
	MODESTY-HPL -	xx -	16 x 30 -	\$241
	MODESTY-HPL -	xx -	16 x 36 -	\$253
	MODESTY-HPL -	xx -	16 x 42 -	\$270
	MODESTY-HPL -	xx -	16 x 48 -	\$284
	MODESTY-HPL -	xx -	16 x 54 -	\$301
	MODESTY-HPL -	xx -	16 x 60 -	\$318
	MODESTY-HPL -	xx -	16 x 66 -	\$364
	MODESTY-HPL -	xx -	16 x 72 -	\$381
	MODESTY-HPL -	xx -	16 x 78 -	\$422
	MODESTY-HPL -	xx -	16 x 84 -	\$428
	MODESTY-HPL -	xx -	16 x 90 -	\$484
	MODESTY-HPL -	xx -	16 x 96 -	\$494

## Double-sided HPL Modesty Panels

	PANEL TYPE	Panel Colour	Size (H x W)	List Price
Ex.	MODESTY-HPL -	21D -	12 x 24 -	\$218
	MODESTY-HPL -	xxD -	12 x 24 -	\$218
	MODESTY-HPL -	xxD -	12 x 30 -	\$238
	MODESTY-HPL -	xxD -	12 x 36 -	\$249
	MODESTY-HPL -	xxD -	12 x 42 -	\$261
	MODESTY-HPL -	xxD -	12 x 48 -	\$308
	MODESTY-HPL -	xxD -	12 x 54 -	\$320
	MODESTY-HPL -	xxD -	12 x 60 -	\$327
	MODESTY-HPL -	xxD -	12 x 66 -	\$336
	MODESTY-HPL -	xxD -	12 x 72 -	\$351
	MODESTY-HPL -	xxD -	12 x 78 -	\$412
	MODESTY-HPL -	xxD -	12 x 84 -	\$430
	MODESTY-HPL -	xxD -	12 x 90 -	\$501
	MODESTY-HPL -	xxD -	12 x 96 -	\$512
	MODESTY-HPL -	xxD -	16 x 24 -	\$239
	MODESTY-HPL -	xxD -	16 x 30 -	\$290
	MODESTY-HPL -	xxD -	16 x 36 -	\$304
	MODESTY-HPL -	xxD -	16 x 42 -	\$324
	MODESTY-HPL -	xxD -	16 x 48 -	\$341
	MODESTY-HPL -	xxD -	16 x 54 -	\$362
	MODESTY-HPL -	xxD -	16 x 60 -	\$382
	MODESTY-HPL -	xxD -	16 x 66 -	\$437
	MODESTY-HPL -	xxD -	16 x 72 -	\$458
	MODESTY-HPL -	xxD -	16 x 78 -	\$507
	MODESTY-HPL -	xxD -	16 x 84 -	\$514
	MODESTY-HPL -	xxD -	16 x 90 -	\$581
	MODESTY-HPL -	xxD -	16 x 96 -	\$593

### Modesty Panels - High Pressure Laminate [HPL]

- Height options: 12", 16"
- Width options: 24" - 96" (in 6" increments)
- Select one of the following panel mount option:
  - L-shape brackets
  - 2 brackets: 24" - 48" wide panel
  - 3 brackets: 54" - 72" wide panel
  - 4 brackets: 78" - 96" wide panel

Laminate colour	Code
Wild Cherry	23
Figured Mahogany	24
Black	27
Designer White	28
Charcoal	31
Manitoba Maple	37
Sap Walnut	38
White Cypress	39
Light Grey	41
Graphite Wood	42



Double sided laminates



Single sided laminates

	PANEL TYPE	Panel Colour	Size (H x W)	List Price
Ex.	MODESTY-DAP -	01 -	12 x 24 -	\$225
	MODESTY-DAP -	xx -	12 x 24 -	\$225
	MODESTY-DAP -	xx -	12 x 30 -	\$236
	MODESTY-DAP -	xx -	12 x 36 -	\$246
	MODESTY-DAP -	xx -	12 x 42 -	\$283
	MODESTY-DAP -	xx -	12 x 48 -	\$318
	MODESTY-DAP -	xx -	12 x 54 -	\$329
	MODESTY-DAP -	xx -	12 x 60 -	\$347
	MODESTY-DAP -	xx -	12 x 66 -	\$384
	MODESTY-DAP -	xx -	12 x 72 -	\$423
	MODESTY-DAP -	xx -	12 x 78 -	\$429
	MODESTY-DAP -	xx -	12 x 84 -	\$444
	MODESTY-DAP -	xx -	12 x 90 -	\$520
	MODESTY-DAP -	xx -	12 x 96 -	\$544
	MODESTY-DAP -	xx -	16 x 24 -	\$270
	MODESTY-DAP -	xx -	16 x 30 -	\$305
	MODESTY-DAP -	xx -	16 x 36 -	\$314
	MODESTY-DAP -	xx -	16 x 42 -	\$320
	MODESTY-DAP -	xx -	16 x 48 -	\$358
	MODESTY-DAP -	xx -	16 x 54 -	\$381
	MODESTY-DAP -	xx -	16 x 60 -	\$403
	MODESTY-DAP -	xx -	16 x 66 -	\$478
	MODESTY-DAP -	xx -	16 x 72 -	\$501
	MODESTY-DAP -	xx -	16 x 78 -	\$515
	MODESTY-DAP -	xx -	16 x 84 -	\$526
	MODESTY-DAP -	xx -	16 x 90 -	\$600
	MODESTY-DAP -	xx -	16 x 96 -	\$612

**Note:** The optional items are available on all height adjustable 2 leg, 3 leg, and training tables and as well as fixed height tables.

### Modesty Panels - Decorative Acoustic Panels [DAP]

- Width options: 24" - 96" (in 6" increments)
- Select one of the following panel mount option:  
L-shape brackets  
2 brackets: 24" - 48" wide panel  
3 brackets: 54" - 72" wide panel  
4 brackets: 78" - 96" wide panel

Acoustic Panel colour	Code
Blue	01
Navy	02
Cream	03
Silver	04
Gray	05
Ash	06





# Modesty+Privacy Panels

Category 5 - Ancillary Products

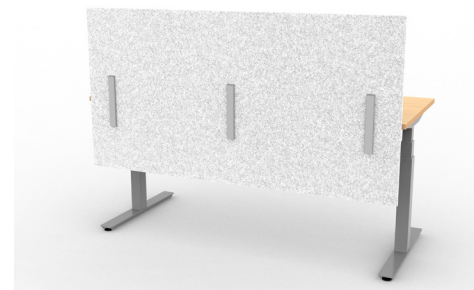
	PANEL TYPE	Panel Colour	Size (H x W)	List Price
Ex.	MODPRIV-DAP -	01 -	24 x 24 -	\$446
	MODPRIV-DAP -	xx -	24 x 24 -	\$446
	MODPRIV-DAP -	xx -	24 x 30 -	\$446
	MODPRIV-DAP -	xx -	24 x 36 -	\$449
	MODPRIV-DAP -	xx -	24 x 42 -	\$455
	MODPRIV-DAP -	xx -	24 x 48 -	\$468
	MODPRIV-DAP -	xx -	24 x 54 -	\$708
	MODPRIV-DAP -	xx -	24 x 60 -	\$724
	MODPRIV-DAP -	xx -	24 x 66 -	\$725
	MODPRIV-DAP -	xx -	24 x 72 -	\$725
	MODPRIV-DAP -	xx -	24 x 78 -	\$730
	MODPRIV-DAP -	xx -	24 x 84 -	\$736
	MODPRIV-DAP -	xx -	28 x 24 -	\$552
	MODPRIV-DAP -	xx -	28 x 30 -	\$552
	MODPRIV-DAP -	xx -	28 x 36 -	\$556
	MODPRIV-DAP -	xx -	28 x 42 -	\$564
	MODPRIV-DAP -	xx -	28 x 48 -	\$580
	MODPRIV-DAP -	xx -	28 x 54 -	\$878
	MODPRIV-DAP -	xx -	28 x 60 -	\$897
	MODPRIV-DAP -	xx -	28 x 66 -	\$898
	MODPRIV-DAP -	xx -	28 x 72 -	\$898
	MODPRIV-DAP -	xx -	28 x 78 -	\$906
	MODPRIV-DAP -	xx -	28 x 84 -	\$912
	MODPRIV-DAP -	xx -	32 x 24 -	\$639
	MODPRIV-DAP -	xx -	32 x 30 -	\$639
	MODPRIV-DAP -	xx -	32 x 36 -	\$647
	MODPRIV-DAP -	xx -	32 x 42 -	\$656
	MODPRIV-DAP -	xx -	32 x 48 -	\$666
	MODPRIV-DAP -	xx -	32 x 54 -	\$1,044
	MODPRIV-DAP -	xx -	32 x 60 -	\$1,068
	MODPRIV-DAP -	xx -	32 x 66 -	\$1,069
	MODPRIV-DAP -	xx -	32 x 72 -	\$1,069
	MODPRIV-DAP -	xx -	32 x 78 -	\$1,078
	MODPRIV-DAP -	xx -	32 x 84 -	\$1,085
	MODPRIV-DAP -	xx -	36 x 24 -	\$690
	MODPRIV-DAP -	xx -	36 x 30 -	\$690
	MODPRIV-DAP -	xx -	36 x 36 -	\$698
	MODPRIV-DAP -	xx -	36 x 42 -	\$709
	MODPRIV-DAP -	xx -	36 x 48 -	\$720
	MODPRIV-DAP -	xx -	36 x 54 -	\$1,128
	MODPRIV-DAP -	xx -	36 x 60 -	\$1,153
	MODPRIV-DAP -	xx -	36 x 66 -	\$1,155
	MODPRIV-DAP -	xx -	36 x 72 -	\$1,155
	MODPRIV-DAP -	xx -	36 x 78 -	\$1,164
	MODPRIV-DAP -	xx -	36 x 84 -	\$1,171

**Note:** The optional items are available on all height adjustable 2 leg, 3 leg, and training tables and as well as fixed height tables.

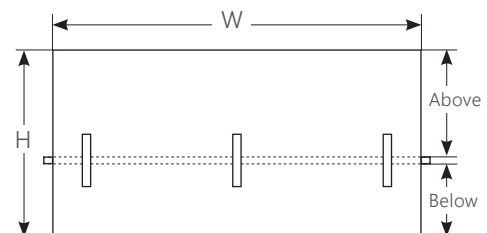
Acoustic Panel Colour	Code
Blue	01
Navy	02
Cream	03
Silver	04
Gray	05
Ash	06

### Modesty+Privacy Panels

- Available in decorative acoustic panels [DAP]
- Height options: 24", 28", 32", 36"
- Width options: 24" - 84" (in 6" increments)
- Panel mount: L-shape brackets  
2 brackets: 24" - 48" wide panel  
3 brackets: 54" - 72" wide panel  
4 brackets: 78" - 84" wide panel



Panel Height	Above Surface	Below Surface
24"	12"	10.75"
28"	16"	10.75"
32"	16"	14.75"
36"	20"	14.75"





Cable management spine and upCentric dual monitor arms

# Accessories

## Category 5 - Ancillary Products

Overview

Tables and Desks

Divider Panels

Accessories

Replacement Parts





# Zgonic Monitor Arms

## Zgonic technologies monitor arm solutions



## Features

- Improved ergonomics with a cleaner, better performing workstation
- Modular design meets the most demanding setups
- Full monitor-to-base cable management
- Quick, easy installation with built-in installation tools
- Customizable side panels showcase your brand or match the office design
- Optional integrated docking station eliminates desktop cables and saves valuable workspace

# Code Guide

## Zgonic Monitor Arm - ZG Series

- Extended Arm Reach (from Desk Edge): 26.5"
- Vertical Arm Adjustment Range: 11.4"
- VESA Compliance: 75mm and 100mm
- Dual Rotation Stops: 180° and 360° (no stop) at both center and rear joints for enhanced safety
- Quick Release VESA Attachment: For ease of attaching/replacing monitors, crossbars, notebook holders, etc
- Monitor Pivot Range: 90°, portrait/landscape
- Monitor Tilt Range: Forward 20/Backward 20
- Cable Management: Concealed within upper and lower arm
- Handle: Optional for more intuitive adjustments
- For Grommet mount bases, min hole size – ½" and max hole Size – 3"



ZG1, Single Monitor Arm with Top-Down Clamp Mount

### ZG1D-B-TD-BL

Code	Description
ZG1D	ZG1D Single Monitor Arm
B	Arm Colour: Black
TD	Mount: Top-Down Clamp
BL	Side Panel: Black



ZG2, Dual Monitor Arm with Top-Down Clamp Mount

### ZG2D-B-TD-BL

Code	Description
ZG2D	ZG2D Dual Monitor Arm
B	Arm Colour: Black
TD	Mount: Top-Down Clamp
BL	Side Panel: Black



ZG2, Dual Monitor Arm with Top-Down Clamp Mount and 2 Sliders

### ZG2D-B-TD-BL-2S

Code	Description
ZG2D	ZG2D Dual Monitor Arm
B	Arm Colour: Black
TD	Mount: Top-Down Clamp
BL	Side Panel: Black
2S	2 Sliders

# Code Guide

## Zgonic Monitor Arm - ZG Series

- Extended Arm Reach (from Desk Edge): 26.5"
- Vertical Arm Adjustment Range: 11.4"
- VESA Compliance: 75mm and 100mm
- Dual Rotation Stops: 180° and 360° (no stop) at both center and rear joints for enhanced safety
- Quick Release VESA Attachment: For ease of attaching/replacing monitors, crossbars, notebook holders, etc
- Monitor Pivot Range: 90°, portrait/landscape
- Monitor Tilt Range: Forward 20/Backward 20
- Cable Management: Concealed within upper and lower arm
- Handle: Optional for more intuitive adjustments
- For Grommet mount bases, min hole size – ½" and max hole Size – 3"



ZGX, Dual Monitor Arm with Top-Down Clamp Mount

### ZGXD-B-TD-BL-CB

Code	Description
ZGXD	ZGXD Monitor Arm
B	Arm Colour: Black
TD	Mount: Top-Down Clamp
BL	Side Panel: Black
CB	Crossbar

## Zgonic Monitor Arm - ZPX System

- Maximum Arm Weightload: 24.3 lbs.
- Maximum Post Weightload: 90 lbs.
- Arm Support: Up to 3 monitor per row, 2 rows, 6 monitors
- Monitor Height Adjustment Range: Total: 11.7", 5.9" above and 5.8" below mounting point
- Monitor Depth Adjustment Range: 24.9" fully extended to 3.4" in front of post
- Monitor Mount (Shoulder) Length: Centerpoint of post to centerpoint of arm insert: 2.8"
- Post Heights: 12" for single Row, 24" for Dual Row
- Mounts Available: Clamp Mount, Top-Down Slide Clamp, Bolt-Through Mount, Rail Mount
- Monitor Support Brackets: Individual "Shoulders" slide vertically along full length of post and lock into place tool-lessly using a locking lever
- Sustainability: 29% recycled and 99% recyclable content
- VESA Compliance: 75mm and 100mm
- Dual Rotation Stops: 180° and 360° (no stop) at both center and rear joints for enhanced safety
- For Grommet mount bases, min hole size – ½" and max hole Size – 3"



ZP2, ZPX Post System for 2 monitors, Dynamic Arms/ Sliders, Top-Down Slide Clamp

### ZP2-1-AA-B-SC-BL-2S

Code	Description
ZP2	ZPX post system for 2 monitors
1	Post height: 1 row
AA	2 Dynamic arms
B	Arm colour: Black
SC	Top-down slide clamp
BL	Side panel: Black
2S	2 Sliders



ZP3, ZPX Post System for 3 monitors, Straight/Dynamic/Slider (right/left) Tilt only in center, with Top-Down Slide Clamp

### ZP3-1-BEB-B-SC-BL-2S

Code	Description
ZP3	ZPX Post System for 3 monitors
1	Post Height: 1 Row
BEB	Straight/Dynamic Arm, Tilt only, Straight/Dynamic Arm
B	Arm Colour: Black
SC	Top-Down Slide Clamp
BL	Side Panel: Black
2S	2 Sliders



ZP4, ZPX Post System for 4 Monitors, 2 over 2, Dynamic/Slider, Top-Down Slide Clamp

### ZP4-2-AAAA-B-SC-BL-4S

Code	Description
ZP4	ZPX Post System for 4 monitors
2	Post Height: 2 Row
AAAA	4 Dynamic Arms
B	Arm Colour: Black
SC	Top-Down Slide Clamp
BL	Side Panel: Black
4S	4 sliders

# ZG Series Monitor Arms

## ZG1 Single Monitor Arm

- Monitor Size Supportable: 17" to 34" (Monitor size for reference only; Weight Capacity should be key factor)

Item	Weight Capacity	Code	List Price
ZG1 Black Single Monitor Arm Top-Down Clamp	6.6 to 24.3 lbs	ZG1D-B-TD-BL	\$481
ZG1 White Single Monitor Arm Top-Down Clamp	6.6 to 24.3 lbs	ZG1D-W-TD-WH	\$481
ZG1 Silver Single Monitor Arm Top-Down Clamp	6.6 to 24.3 lbs	ZG1D-S-TD-SL	\$481



## ZG2 Dual Monitor Arm

- Monitor Size Supportable: 17" to 34" (Monitor size for reference only; Weight Capacity should be key factor)

Item	Weight Capacity	Code	List Price
ZG2 Black Dual Monitor Arm Top-Down Clamp	6.6 to 24.3 lbs	ZG2D-B-TD-BL	\$910
ZG2 White Dual Monitor Arm Top-Down Clamp	6.6 to 24.3 lbs	ZG2D-W-TD-WH	\$910
ZG2 Silver Dual Monitor Arm Top-Down Clamp	6.6 to 24.3 lbs	ZG2D-S-TD-SL	\$910



## ZG2 Dual Monitor Arm with 2 Sliders

- Monitor Size Supportable: 17" to 34" (Monitor size for reference only; Weight Capacity should be key factor)

Item	Weight Capacity	Code	List Price
ZG2 Black Dual Monitor Arm Top-Down Clamp with 2 sliders	6.6 to 24.3 lbs	ZG2D-B-TD-BL-2S	\$1,086
ZG2 White Dual Monitor Arm Top-Down Clamp with 2 sliders	6.6 to 24.3 lbs	ZG2D-W-TD-WH-2S	\$1,086
ZG2 Silver Dual Monitor Arm Top-Down Clamp with 2 sliders	6.6 to 24.3 lbs	ZG2D-S-TD-SL-2S	\$1,086



## ZGX Monitor Arm with Crossbar & Handle for 2 Monitors

- Monitor Size Supportable: 2 x 27"

Item	Weight Capacity	Code	List Price
ZGX Black Monitor Arm with Crossbar & Handle for 2 Monitors Top-Down Clamp	Up to 20 lbs total	ZGXD-B-TD-BL-CB	\$870
ZGX White Monitor Arm with Crossbar & Handle for 2 Monitors Top-Down Clamp	Up to 20 lbs total	ZGXD-W-TD-WH-CB	\$870
ZGX Silver Monitor Arm with Crossbar & Handle for 2 Monitors Top-Down Clamp	Up to 20 lbs total	ZGXD-S-TD-SL-CB	\$870



# ZG Series Monitor Arms

## ZGND Single Monitor Arm - Laptop Support

- Laptop Size Supportable: up to 17"
- Laptop tray
  - ◇ Size: 13.4" x 10.5"
  - ◇ Tilt range: +20° / -35°
  - ◇ Finish: Silver
  - ◇ Material: heavy-duty powder coated steel

Item	Weight Capacity	Code	List Price
ZGND Black Single Laptop Support Arm, Top-Down Clamp	2 to 15 lbs	ZGND-B-TD-BL	\$614
ZGND White Single Laptop Support Arm, Top-Down Clamp	2 to 15 lbs	ZGND-W-TD-WH	\$614
ZGND Silver Single Laptop Support Arm, Top-Down Clamp	2 to 15 lbs	ZGND-S-TD-SL	\$614



## ZG2ND Dual Monitor Arm - Monitor+Laptop Support

- Monitor Size Supportable: up to 38"
- Laptop Size Supportable: up to 17"
- Laptop tray
  - ◇ Size: 13.4" x 10.5"
  - ◇ Tilt range: +20° / -35°
  - ◇ Finish: Silver
  - ◇ Material: heavy-duty powder coated steel

Item	Weight Capacity	Code	List Price
ZG2ND Black Dual Monitor+Laptop Support Arm, Top-Down Clamp	Monitor arm: 6.6 to 24.3 lbs Laptop arm: 2 to 15 lbs	ZG2ND-B-TD-BL	\$1,043
ZG2ND White Dual Monitor+Laptop Support Arm, Top-Down Clamp	Monitor arm: 6.6 to 24.3 lbs Laptop arm: 2 to 15 lbs	ZG2ND-W-TD-WH	\$1,043
ZG2ND Silver Dual Monitor+Laptop Support Arm, Top-Down Clamp	Monitor arm: 6.6 to 24.3 lbs Laptop arm: 2 to 15 lbs	ZG2ND-S-TD-SL	\$1,043



# ZPX Series Monitor Arms

## ZP2 Dual, Post Mounted Monitor Arm

Item	Code	List Price
ZP2 Post Mount, Dual Black Monitor Arms - 2 Dynamic Arms, Dual Sliders, Top-Down Slide Clamp	ZP2-1-AA-B-SC-BL-2S	\$1,017
ZP2 Post Mount, Dual White Monitor Arms - 2 Dynamic Arms, Dual Sliders, Top-Down Slide Clamp	ZP2-1-AA-W-SC-WH-2S	\$1,017
ZP2 Post Mount, Dual Silver Monitor Arms - 2 Dynamic Arms, Dual Sliders, Top-Down Slide Clamp	ZP2-1-AA-S-SC-SL-2S	\$1,017



## ZP3 Triple, Post Mounted Monitor Arm

Item	Code	List Price
ZP3 Post Mount, 3 Black Monitor Arms - 2 Straight/Dynamic Arms and 1 Tilt Only, 2 Slider Brackets, Top-Down Slide Clamp	ZP3-1-BEB-B-SC-BL-2S	\$1,438
ZP3 Post Mount, 3 White Monitor Arms - 2 Straight/Dynamic Arms and 1 Tilt Only, 2 Slider Brackets, Top-Down Slide Clamp	ZP3-1-BEB-W-SC-WH-2S	\$1,438
ZP3 Post Mount, 3 Silver Monitor Arms - 2 Straight/Dynamic Arms and 1 Tilt Only, 2 Slider Brackets, Top-Down Slide Clamp	ZP3-1-BEB-S-SC-SL-2S	\$1,438



## ZP4 Quad Monitor Arm

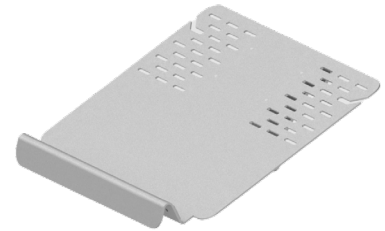
Item	Code	List Price
ZP4 Post Mount, 4 Black Monitor Arms- 4 Dynamic Arms, 4 Sliding Brackets, Top-Down Slide Clamp	ZP4-2-AAAA-B-SC-BL-4S	\$1,893
ZP4 Post Mount, 4 White Monitor Arms- 4 Dynamic Arms, 4 Sliding Brackets, Top-Down Slide Clamp	ZP4-2-AAAA-W-SC-WH-4S	\$1,893
ZP4 Post Mount, 4 Silver Monitor Arms- 4 Dynamic Arms, 4 Sliding Brackets, Top-Down Slide Clamp	ZP4-2-AAAA-S-SC-SL-4S	\$1,893



# Zgonic Monitor Arm Accessories

## Ztray

- Compatible s with all Zgonic Monitor Arms
- Provides 3-dimensional adjustability
- Open on 3 sides and has no size limitation to support any notebook or tablet
- Available in Silver only
- Tray size is 13.4" x 10.5", made of powder coated steel



Item	Code	List Price
Ztray Silver Laptop Tray For Monitor Arms	ZTN	\$133

## Slider

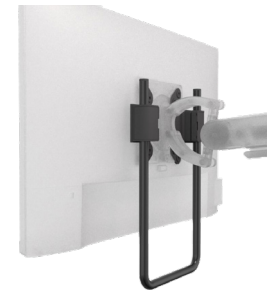
- Sliders install behind the monitor exactly as a VESA Plate
- 9" of lateral adjustability
- Available in black only
- Includes 75 x 75mm and 100 x 100mm VESA compliance
- Made of aluminum extrusion, nylon, and ABS
- Provides the flexibility to move multiple monitors all the way to the rear of the desk while keeping them adjacent to each other (side-to-side)



Item	Code	List Price
Zslider Black Monitor Slider Brackets	ZSLB	\$88

## Monitor Handle

- Easily grasp the handle and adjust the monitor to the desired position
- Key to instant, intuitive adjustment
- Especially critical in shared-desking environments where users have different requirements



Item	Code	List Price
Zhandle Black Monitor Adjuster Handle	ZHDB	\$59

## Side Panels - Infinite Design

- Black, Silver and White come standard depending on Monitor Arm colour
- Custom design includes logo, text, or any custom colour.
- Complete custom Side Panel form (download) and include with order.



Item	Code	List Price
Custom Design Side Panels	CDSP-xx	\$13/panel

### Standard



### Samples of Custom Colour and Design





# Zgonic Monitor Arm Accessories

## Conversion Kit, ZG1 to ZG2

- Easily convert ZG1 to ZG2
- Kit includes VESA plate, dynamic arm, angled arm, ZG2 adaptor and magnetic side panels
- Color options: Black, Silver and White

Item	Code	List Price
Conversion Kit ZG1 to ZG2, Black	Z2C-B	\$481
Conversion Kit ZG1 to ZG2, Silver	Z2C-S	\$481
Conversion Kit ZG1 to ZG2, White	Z2C-W	\$481



## Conversion Kit, ZG1 to ZGX

- Easily convert ZG1 to ZGX
- Kit includes VESA plate, cross bar with handle, and tilt stop
- Black only

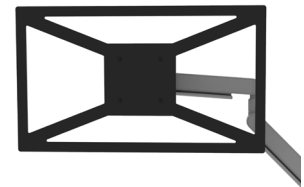
Item	Code	List Price
Conversion Kit ZG1 to ZGX, Black	ZXC-B	\$401



## Zgonic Metal Display Panel

- The 8 lbs metal panel is to be used on Zgonic monitor arms on display in showrooms, tradeshow and on product demos
- Black only

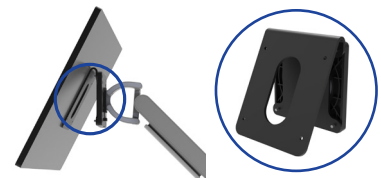
Item	Code	List Price
Zgonic Metal Display Panel	ZDP	\$235



## Zgonic Angle Bracket

- This bracket is added to enable an extreme angle to be achieved on the Zgonic arms
- This angle bracket can be used when an angle greater than 25° is required
- Black only

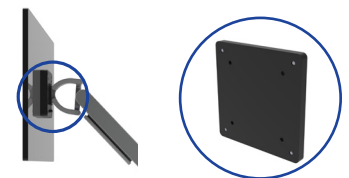
Item	Code	List Price
Zgonic Angle Bracket	VESA-ANGLE-27	\$59



## Zgonic VESA/Slider Weight Plate

- 2 lbs weight plates would be installed if the monitor is lighter than the minimum 6.6lbs
- The plates would be installed between the VESA attachment bracket and the monitor
- The weight plates come with 2 sets of different length hardware for various monitor styles
- Black only

Item	Code	List Price
VESA Weight Plate 2lbs	2LB-VESA	\$85
Slider 2lbs Weight Plate	2LB-SLIDER	\$85



# Zgonic Docking Products

## Integrated Zdock/ Stand-Alone Zdock

- USB Port (Upstream): USB-C full feature with 100W PD charging. Support PD2.0 version 1.2
- USB Port (Downstream): 2x USB-A 3.1 Gen1 (5V,0.9A max)
- USB Charging ports (No Data): USB-C (5V, 3.0A max) / USB-A (5V, 2.4A max)
- Microphone / Headphone: TRRS 3.5mm combo jack for Apple/Samsung type
- Video Output: 2 x DP++ (Dual mode DP1.2)
- Support: 1900x1080p60 up to 5120x2880p60 (5K)
- Network:Gigabit Ethernet / Transfer rate 10Mbit/100Mbit/1Gbit
- Back USB Port (Downstream): 3x USB-A 3.1Gen1 (5V, 0.9A)
- Operating System: Windows 7 and above, Apple OS X Version 10.8.3 and above
- Standard colours: Black, White, Silver

Item	Code	List Price
Zdock, Integrated with Zgonic monitor arm, Black	ZDIB	\$1004
Zdock, Integrated with Zgonic monitor arm, White	ZDIW	\$1004
Zdock, Integrated with Zgonic monitor arm, Silver	ZDIS	\$1004



Item	Code	List Price
Zdock, Stand-Alone, Black	ZDSB	\$1004
Zdock, Stand-Alone, Silver	ZDSS	\$1004
Zdock, Stand-Alone, White	ZDSW	\$1004



# ZG series product builder

Product code: ①     ②  ③   ④   ⑤   ⑥    
QTY\* Model

Use the following steps to build the code:

## ① MONITOR ARM STYLE



ZG1 Single Monitor Arm  
[ZG1D], \$481



ZG2 Dual Monitor Arm  
[ZG2D], \$910



ZGX Monitor Arm with Crossbar  
[ZGXD], \$870

## ② ARM COLOUR



Silver  
[S]



White  
[W]



Black  
[B]

## ③ MOUNT



Top-Down Clamp  
[TD]  
Desk thickness: 0.6" - 2.0"



Bolt-Thru  
[BT]  
Desk thickness: 0.4" - 2.5"



2-Piece Clamp  
[CM]  
Desk thickness: 0.2" - 3.6"



Wall Mount\*  
[WM]

## ④ SIDE PANEL

Standard Color



Black [BL]



Silver [SL]



White [WH]

Custom Design\*\*



[CDSP]  
\$13/Panel

## ⑤ CROSSBAR – For ZGX only. Crossbar includes handle.



Black Crossbar  
[CB], \$401

## ⑥ ACCESSORIES – Add quantity and model if required. Leave blank for no accessories. e.g. -2S for 2 Sliders, -1H for 1 Handle, etc.



Handle  
[H], \$59



Slider  
[S], \$88

Notes:

\* The Wall mount is only available in Black, although it can be ordered with Silver or White arms

\*\* For custom design (colour, logo, text), please complete the Custom Side Panel Form and include it with the order.

Please contact your local sales representative for models not listed, or to customize and price the monitor arms that suit your needs.

# ZPX system product builder

Product code: ①    ②  ③       ④  ⑤   ⑥   ⑦   QTY\* Model

Use the following steps to build the code:

## ① MONITOR ARM STYLE

## ② POST HEIGHT

ZP1, ZPX Post System for 1 Monitor [ZP1]	ZP2, ZPX Post System for 2 Monitors [ZP2]	ZP3, ZPX Post System for 3 Monitors [ZP3]	ZP4, ZPX Post System for 4 Monitors [ZP4]	ZP5, ZPX Post System for 5 Monitors [ZP5]	ZP6, ZPX Post System for 6 Monitors [ZP6]	1 Row [1], \$178	2 Row [2], \$226

## ③ ARM STYLE – There must be 1 Arm Style for each # of Monitors. List the arm(s) LEFT to RIGHT and TOP to BOTTOM (if applicable)

Dynamic Arm Only [A], \$328	Straight/Dynamic [B], \$440	Straight/Straight [C], \$336	Straight Arm Only [D], \$225	Tilt Only [E], \$204

## ④ ARM COLOUR

Black [B]	Silver [S]	White [W]

## ⑤ MOUNT

2-Piece Clamp Mount [CM] Desk thickness: 0.2" - 2.0"	Bolt-Thru Mount [BT] Desk thickness: 0.4" - 2.5"	Sliding Desk Clamp Mount [SC]

## ⑥ SIDE PANEL

Standard Color	Custom Design*
Black [BL]	[CDSP] \$13/Panel
Silver [SL]	
White [WH]	

## ⑦ ACCESSORIES – Add quantity and model if required. Leave blank for no accessories. e.g. -2S for 2 Sliders, -1H for 1 Handle, etc.

Handle [H], \$59	Slider [S], \$88

Notes:  
\* For custom design (colour, logo, text), please complete the Custom Side Panel Form and include it with the order.  
Please contact your local sales representative for models not listed, or to customize and price the monitor arms that suit your needs.



# Screen Support

## upCentric® Single and Dual Monitor Arms



### Optimal Flexibility

- Easy installation with top clamping base
- Variable arm tension allows you to counterbalance monitor weight and height requirements
- Tilt, pan and rotate monitors from landscape to portrait
- Convenient 180° lockout prevents monitor arm(s) from swinging back / behind desk or into a wall, ideal in home office or cubicle setting
- Hide, protect and keep monitor cables tidy with the integrated cable management channel
- Effortless monitor installation and removal with the quick release VESA mount
- Integrate monitor arms with our laptop tray for greater convenience

Note: Shipping is free for all upCentric Monitor arms, this applies to any quantity or type ordered.

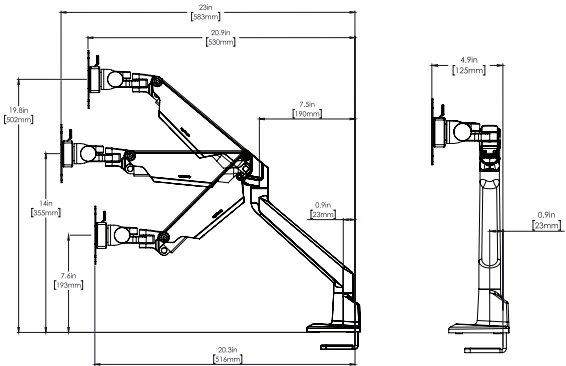
# Screen Support

## upCentric® single and dual monitor arm

- Pneumatic gas cylinder for smooth one touch adjustment
- Single monitor arm accomodates monitors up to 34" in size
- Dual monitor arm accomodates monitors up to 27" in size
- Quick release VESA mount with two size options: 75x75mm and 100x100mm
- Integrated cable management channel on arms
- 360° pivot range at base and elbow joint
- 180° lockout
- Mounting type: clamp or grommet mount
- Single monitor arm desktop mounting range: 0.59" - 1.96" thickness
- Dual monitor arm desktop mounting range: 0.67" - 2.4" thickness
- Constructed of sturdy cast aluminum
- Weight capacity - 5 lbs - 19 lbs
- 160° Monitor tilt range (85° upward, 75° downwards)
- 180° Yaw adjustment range
- 360° Monitor rotation
- Allan key included and easily accessible
- UP-DMA-MSB Arm comes with 2X Monitor Sliders. To add a Slider to the Single arm, order UP-MSB-SGL from the Spare Parts List



Item	Weight Capacity	Code	List Price
Single Monitor Arm	5-19.8 lbs	UP-SMA	\$346
Dual monitor arm	5-19.8 lbs per arm	UP-DMA	\$566
Dual Monitor Arm with Monitor slider bracket	4.5 lbs - 19 lbs	UP-DMA-MSB	\$780



## Laptop tray

- Turns your adjustable monitor into an adjustable laptop tray
- Compatible with upCentric single monitor arm and dual monitor arm
- Easy to install, mounting hardware included (vesa 100x100mm hole pattern)
- Adhesive foam pad strips and velcro attachment strips included
- Adjustable to accommodate a wide range of laptop sizes



Item	Weight Capacity	Code	List Price
Laptop tray	2.5-10 lbs	LAPTOPTRAY	\$117

# MIKI Clamp-on Power Dock

DOCK-MIKI Series is a convenient power solution that offers 3 types of desk top charging or power. It can be left portable, clamped to desktop surface, secured directly to a desktop surface, mounted under a desktop surface or even mounted to a monitor arm.

Outlets	Code	Colour	List Price
<ul style="list-style-type: none"><li>• 108" cord length</li><li>• 2x AC</li><li>• 1x USB-A</li><li>• 1x USB-C</li><li>• Multiple Mounting options</li><li>• Built with Byrne's Tamper-Resistant Simplexes</li></ul>	DOCK-MIKI-SLV	White	\$460
	DOCK-MIKI-BLK	Black	\$460





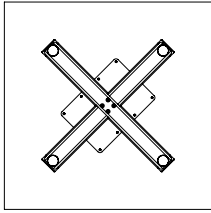
# Fixed Height Meeting Tables - Small

Category 6 - Collaborative Products

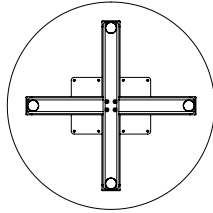


# Fixed Height Meeting Tables - Small

SQR (Square)



RND (Round)



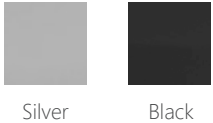
Ex.

TABLE CODE						LIST PRICE
FRAME TYPE	FRAME COLOUR	SHAPE	SIZE (in.)	FINISH	EDGE COLOUR	PRICE
CGSA-SMT -	SILVER -	SQR -	30 x 30 -	21 -	FM -	\$995
<b>FIXED HEIGHT MEETING TABLES - SMALL</b>						
CGSA-SMT -	xxxxx -	xxx -	30 x 30 -	xx -	xx -	\$995
CGSA-SMT -	xxxxx -	xxx -	36 x 36 -	xx -	xx -	\$1,009
CGSA-SMT -	xxxxx -	xxx -	42 x 42 -	xx -	xx -	\$1,024
<b>FIXED HEIGHT MEETING TABLES WITH CASTERS - SMALL</b>						
CGSA-SMT-UC -	xxxxx -	xxx -	30 x 30 -	xx -	xx -	\$1,048
CGSA-SMT-UC -	xxxxx -	xxx -	36 x 36 -	xx -	xx -	\$1,062
CGSA-SMT-UC -	xxxxx -	xxx -	42 x 42 -	xx -	xx -	\$1,077

- ①
- ②
- ③
- ④
- ⑤

① Select frame type

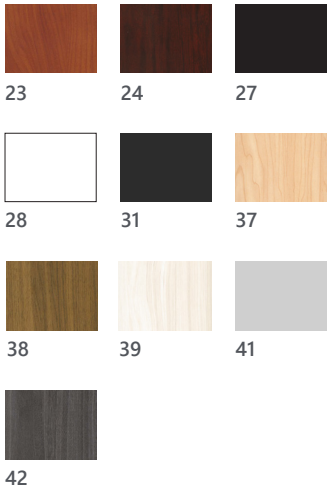
② Select frame colour



③ Choose tabletop shape & size

Square [SQR]  
Round [RND]

④ Select laminate finish



⑤ Select edge band finish

Edge Band	
Finish Match Edge	FM-
Choice Match Edge*	-XX

\* Select from one of the finishes in step 4





# Training Tables

Category 6 - Collaborative Products

# How to order Training Tables

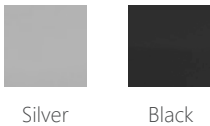
TABLE CODE					LIST PRICE
FRAME TYPE	FRAME COLOUR	SIZE (in.) (AxB)	FINISH	EDGE COLOUR	PRICE
Ex. CGSA-TRNG -	SILVER -	24 x 48 -	21 -	FM -	\$1,569
TRAINING TABLES					
CGSA-TRNG -	xxxxx -	24 x 48 -	xx -	xx -	\$1,569
CGSA-TRNG -	xxxxx -	24 x 60 -	xx -	xx -	\$1,691
CGSA-TRNG -	xxxxx -	24 x 72 -	xx -	xx -	\$1,815
CGSA-TRNG -	xxxxx -	30 x 48 -	xx -	xx -	\$1,623
CGSA-TRNG -	xxxxx -	30 x 60 -	xx -	xx -	\$1,752
CGSA-TRNG -	xxxxx -	30 x 72 -	xx -	xx -	\$1,872

- ①
- ②
- ③
- ④
- ⑤

**1** Select frame type

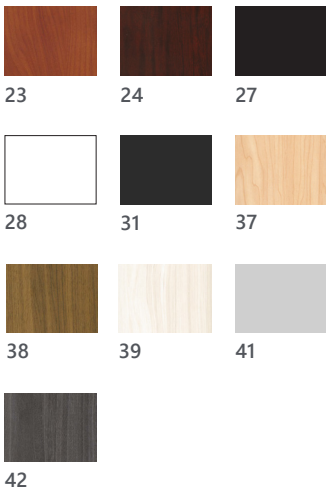
- TRNG
- FH2L-UC

**2** Select frame colour



**3** Choose tabletop size

**4** Select laminate finish



**5** Select edge band finish

Edge Band	
Finish Match Edge	-FM
Choice Match Edge*	-XX

\* Select from one of the finishes in step 4



# Training Tables

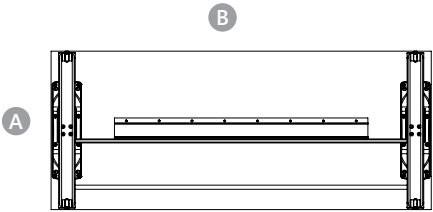


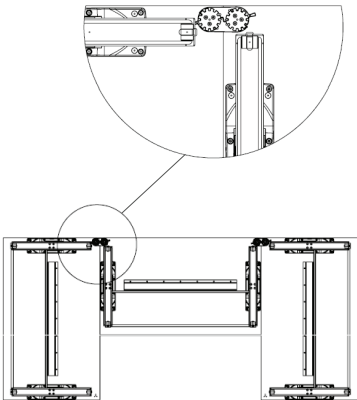
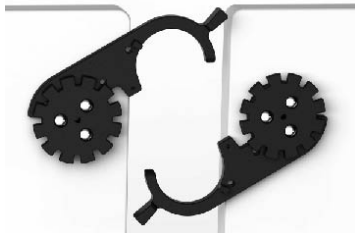
TABLE CODE					LIST PRICE
FRAME TYPE	FRAME COLOUR	SIZE (in.) (AxB)	FINISH	EDGE COLOUR	PRICE
Ex. CGSA-TRNG -	SILVER -	24 x 48 -	21 -	FM -	\$1,569
TRAINING TABLES					
CGSA-TRNG -	xxxxx -	24 x 48 -	xx -	xx -	\$1,569
CGSA-TRNG -	xxxxx -	24 x 60 -	xx -	xx -	\$1,691
CGSA-TRNG -	xxxxx -	24 x 72 -	xx -	xx -	\$1,815
CGSA-TRNG -	xxxxx -	30 x 48 -	xx -	xx -	\$1,623
CGSA-TRNG -	xxxxx -	30 x 60 -	xx -	xx -	\$1,752
CGSA-TRNG -	xxxxx -	30 x 72 -	xx -	xx -	\$1,872
CGSA-TRNG -	xxxxx -	36 x 48 -	xx -	xx -	\$1,856
CGSA-TRNG -	xxxxx -	36 x 60 -	xx -	xx -	\$2,017
CGSA-TRNG -	xxxxx -	36 x 72 -	xx -	xx -	\$2,157

## Ganging Kit for easy connection of Training tables

- Table connector and support for easy connection of tables
- Steel and plastic construction
- Low design profile
- High load capacity
- No "male" and "female"
- Each kit contains two full hook sets
- One kit is required to connect two tables edges together

Options	Code	List Price
Training Table Ganging Kit	TTG-KIT	\$75

**Note:** The optional items are available on all height adjustable 2 leg, 3 leg, and training tables and as well as fixed height tables.



# Fixed 2L Tables

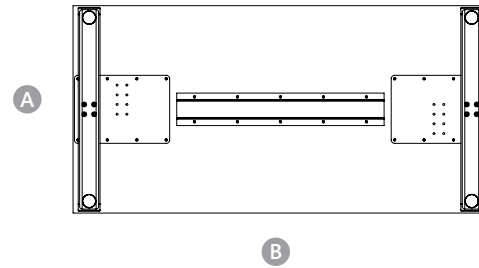
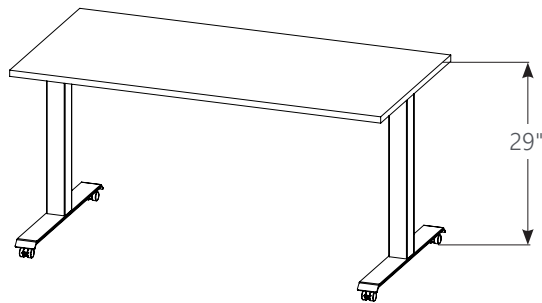


TABLE CODE						LIST PRICE
FRAME TYPE	FRAME COLOUR	SIZE (in.) (AxB)	FINISH	EDGE COLOUR	GROMMET HOLES	PRICE
Ex. FH2L-UC -	SILVER -	24 x 30 -	21 -	FM -	LR	\$1,121
FIXED 2L TABLES WITH CASTERS						
FH2L-UC -	xxxxx -	24 x 30 -	xx -	xx -	xx	\$1,121
FH2L-UC -	xxxxx -	24 x 36 -	xx -	xx -	xx	\$1,121
FH2L-UC -	xxxxx -	24 x 42 -	xx -	xx -	xx	\$1,121
FH2L-UC -	xxxxx -	24 x 48 -	xx -	xx -	xx	\$1,206
FH2L-UC -	xxxxx -	24 x 54 -	xx -	xx -	xx	\$1,240
FH2L-UC -	xxxxx -	24 x 60 -	xx -	xx -	xx	\$1,273
FH2L-UC -	xxxxx -	24 x 66 -	xx -	xx -	xx	\$1,308
FH2L-UC -	xxxxx -	24 x 72 -	xx -	xx -	xx	\$1,342
FH2L-UC -	xxxxx -	24 x 78 -	xx -	xx -	xx	\$1,376
FH2L-UC -	xxxxx -	24 x 84 -	xx -	xx -	xx	\$1,410
FH2L-UC -	xxxxx -	30 x 36 -	xx -	xx -	xx	\$1,226
FH2L-UC -	xxxxx -	30 x 42 -	xx -	xx -	xx	\$1,226
FH2L-UC -	xxxxx -	30 x 48 -	xx -	xx -	xx	\$1,317
FH2L-UC -	xxxxx -	30 x 54 -	xx -	xx -	xx	\$1,360
FH2L-UC -	xxxxx -	30 x 60 -	xx -	xx -	xx	\$1,403
FH2L-UC -	xxxxx -	30 x 66 -	xx -	xx -	xx	\$1,446
FH2L-UC -	xxxxx -	30 x 72 -	xx -	xx -	xx	\$1,488
FH2L-UC -	xxxxx -	30 x 78 -	xx -	xx -	xx	\$1,531
FH2L-UC -	xxxxx -	30 x 84 -	xx -	xx -	xx	\$1,574
FH2L-UC -	xxxxx -	36 x 48 -	xx -	xx -	xx	\$1,465
FH2L-UC -	xxxxx -	36 x 54 -	xx -	xx -	xx	\$1,618
FH2L-UC -	xxxxx -	36 x 60 -	xx -	xx -	xx	\$1,741
FH2L-UC -	xxxxx -	36 x 66 -	xx -	xx -	xx	\$1,789
FH2L-UC -	xxxxx -	36 x 72 -	xx -	xx -	xx	\$1,832
FH2L-UC -	xxxxx -	36 x 78 -	xx -	xx -	xx	\$1,869
FH2L-UC -	xxxxx -	36 x 84 -	xx -	xx -	xx	\$1,902



### T-Legs

- 70mm Square Tube Leg with 22" or 29" feet, depending on depth
- Powder Coat Painted Steel – Silver or Black
- Lowest exact height of table is 28 ¾", with ½" adjustable glides

# upCentric® Cable Management Solutions



## Tidy Workspace with Cable Protection

- Mesh Cable Management for horizontal cable management under the work surface
- Vertical Cable Management
  - Vertical cable spine
  - Magnetic vertical cable spine
  - Vertical cable sleeve

# upCentric® Cable Management Solutions

## ergoCentric cable management basket

- The upCentric cable management basket is used to route wires through a discreet cable channel that will improve the aesthetics in just about any room, and is a great way to conceal and protect cables. Lightweight and easy to handle and install, the upCentric cable management basket is available in three width sizes (28", 36" and 48") and two colours (black or silver).

Length	Code	Colour	List Price
28"	MCM28-BLACK	Black	\$148
28"	MCM28-SILVER	Silver	\$148
36"	MCM36-BLACK	Black	\$161
36"	MCM36-SILVER	Silver	\$161
48"	MCM48-BLACK	Black	\$174
48"	MCM48-SILVER	Silver	\$174

### Mesh colour options



**MCM28** - Use for 30", 36" and 42" wide work surfaces

**MCM36** - Use for 48" and 54" wide work surfaces

**MCM48** - Note: When using on UP-3L table, check how much space is available on the underside of the table in between the brackets. Outer dimensions of the tabletop may not always correlate to an equivalent amount of space.

## upCentric cable management spine

- Integrates seamlessly with the upCentric desk and cable management basket
- Protects and conceals cables at your workstation
- Reduces cable clutter
- Lightweight and easy to install
- Adjustable with 30 vertebrae
- Customized weighted base for stability
- Overall length is 52" and is available in three finishes: white, silver, black

Colour	Code	List Price
White	VCMSp-WH	\$141
Silver	VCMSp-SL	\$141
Black	VCMSp-BK	\$141



# upCentric Cable Management Solutions

## upCentric magnetic cable management spine

- Allows you to connect between two of the 3 strips of vertebrae in the standard model
- Includes 7 vertebrae with a magnetic strip attached
- Extra adaptor bracket for attaching the spine in-line with table leg



## upCentric vertical cable sleeve

- Integrates seamlessly with the upCentric desk and cable management basket
- Protects and conceals cables at your workstation
- Reduces cable clutter
- Zips with two zipper heads and open/ closed for easy access to cables
- Lightweight and easy to install
- Overall length is 47" and is available in silver and black
- Individually packaged with a weighted base, table top mounting plate and hardware



Colour	Code	List Price
White	VCMSM-MAG-WH	\$212
Silver	VCMSM-MAG-SL	\$212
Black	VCMSM-MAG-BK	\$212

Colour	Code	List Price
Silver	VCM-SLV-SL	\$118
Black	VCM-SLV-BK	\$118





upCentric Black Frame

# Replacement Parts

# upCentric® replacement parts

Part	Code	List Price
upCentric Leg SILVER	UP-LEG-SILVER	\$499
upCentric Leg BLACK	UP-LEG-BLACK	\$499
Hardware Package - UP-2L	UP-2L-HRDWR	\$20
Hardware Package - UP-3L	UP-3L-HRDWR	\$20
Control Box for UPMOD-2LV and UP-2LV	TC15S	\$250
Control Box for UP-2L	TC15P	\$250
Control Box for UP-3L and UPMOD-3L	TC16P	\$250
Premium Digital Display Handset	TDH8P	\$97
22" Foot - Silver	BL10002	\$123
22" Foot - Black	BL10001	\$123
22" Foot - White	BL10007	\$123
29" Foot - Silver	BL10004	\$141
29" Foot - Black	BL10003	\$141
29" Foot - White	BL10008	\$141
X Foot - Silver	BL10006	\$216
X Foot - Black	BL10005	\$216
upCentric Frame - Top Bracket - 24" Black	UP-TOPBRK24BL	\$91
upCentric Frame - Top Bracket - 22" Black	UP-TOPBRK22BL	\$91
upCentric Frame - Top Bracket - 20" Black	UP-TOPBRK20BL	\$91
upCentric Frame - Top Bracket - 24" Silver	UP-TOPBRK24SL	\$91
upCentric Frame - Top Bracket - 22" Silver	UP-TOPBRK22SL	\$91
upCentric Frame - Top Bracket - 20" Silver	UP-TOPBRK20SL	\$91
upCentric Frame - Top Bracket - 22" White	UP-TOPBRK22WH	\$91
upCentric Glide	UP-GLIDE	\$17
Height adjustable conference table frame, Silver	UP-CONF-2L-SILVER	\$1,905
Height adjustable conference table frame, Black	UP-CONF-2L-BLACK	\$1,905
Tabletop Ganging Plates Package	TABLETOPPLATE	\$20
Caster Set for upCentric - Set of 4"	CAS4	\$84
Single upCentric Casters	CAS	\$27
Keyboard Tray Mounting Kit	UP-KBT-MK	\$65
upCentric AC Power Cable	UP-ACC-6	\$30
Single fixed height leg - Black	UFPSINGLE-BLACK	\$97
Single fixed height leg - Silver	UFPSINGLE-SILVER	\$97
24" Under Table Support Bracket + Hardware	24UTSUP	\$77
30" Under Table Support Bracket + Hardware	30UTSUP	\$88
36" Under Table Support Bracket + Hardware	36UTSUP	\$99
42" Under Table Support Bracket + Hardware	42UTSUP	\$113
48" Under Table Support Bracket + Hardware	48UTSUP	\$126
54" Under Table Support Bracket + Hardware	54UTSUP	\$138
60" Under Table Support Bracket + Hardware	60UTSUP	\$152

# upCentric® replacement parts

Pedestal Drawer Caster - Locking	PEDCAS-LOCK	\$16
Pedestal Drawer Caster - Non-Locking	PEDCAS-NL	\$13
Pedestal Drawer Caster Set (2 Locking, 2 Non-locking)	PEDCAS-SET	\$50
Conversion Kit - SILVER (Converts an UP-2L to an UP-3L frame)	UP-3L-CONV-SILVER	\$1,139
Conversion Kit - BLACK (Converts an UP-2L to an UP-3L frame)	UP-3L-CONV-BLACK	\$1,139
Conversion Kit - WHITE (Converts an UP-2L to an UP-3L frame)	UP-3L-CONV-WHITE	\$1,139
upCentric Mini Slider	UP-MSB-SGL	\$149
Direct Mount Shell Clamp, Black	SHELLCLAMP-BL	\$33 each
Direct Mount Shell Clamp, Silver	SHELLCLAMP-SL	\$33 each
Clamp Mounting Bracket, Black	SHELLCLAMP-CM-BL	\$33 each
Clamp Mounting Bracket, Silver	SHELLCLAMP-CM-SL	\$33 each
Floating Panel Mount Bracket, Black	SHELLCLAMP-FL-BL	\$33 each
Floating Panel Mount Bracket, Silver	SHELLCLAMP-FL-SL	\$33 each
Fixed T-Leg Assembly- 22" Foot- Silver	FHLEG-22-SILVER	\$352
Fixed T-Leg Assembly- 29" Foot- Silver	FHLEG-29-SILVER	\$369
Fixed T-Leg Assembly- 22" Foot- Black	FHLEG-22-BLACK	\$352
Fixed T-Leg Assembly- 29" Foot- Black	FHLEG-29-BLACK	\$369
Fixed T-Leg w/ Casters Assembly- 22" Foot- Silver	FHLEG-UC-22-SILVER	\$399
Fixed T-Leg w/ Casters Assembly- 29" Foot- Silver	FHLEG-UC-29-SILVER	\$415
Fixed T-Leg w/ Casters Assembly- 22" Foot- Black	FHLEG-UC-22-BLACK	\$399
Fixed T-Leg w/ Casters Assembly- 29" Foot- Black	FHLEG-UC-29-BLACK	\$415
Fixed Post Leg Set (4) - Silver	UFP-SET-SILVER	\$341
Fixed Post Leg Set (4) - Black	UFP-SET-BLACK	\$341
Fixed Post Leg - Single - Silver	UFP-LEG-SILVER	\$99
Fixed Post Leg - Single - Black	UFP-LEG-BLACK	\$99
Fixed Height Leg Assembly- X Foot- Silver	FHLEG-X-SILVER	\$430
Fixed Height Leg Assembly- X Foot- Black	FHLEG-X-BLACK	\$430

# ergoCentric®

ph: 1 866 GET ERGO | 905 696-6800  
fx: 1 800 848-5190 | 905 696-0899  
orders@ergocentric.com  
ergocentric.com



ergoCentric® and upCentric® are registered trademarks of ErgoCentric Inc.  
TiMOTION® is a registered trademark of TiMOTION Technology Co. Ltd.  
All other trademarks, registered trademarks and logos are the property of their respective owners.

November 26, 2024