

# ↑upCentric®

UP-2LV

powered by / levée par



Owner's manual  
Guide de l'utilisateur



ergoCentric®



## English

Introduction.....	2
Specifications .....	2
Standard features .....	3
Important information.....	5
Safety instructions.....	6
Parts .....	7
Assembly instructions .....	8
Getting started .....	12
Troubleshooting .....	14
Disposal guidance .....	18
Warranty .....	18
If you need assistance .....	19

## Français

Introduction.....	20
Specifications .....	20
Caractéristiques standard .....	21
Informations importantes.....	23
Instructions de sécurité .....	24
Pièces.....	25
Instructions de montage.....	26
Pour commencer .....	30
Dépannage.....	32
Conseils pour disposer de la table.....	36
Garantie.....	36
Pour une aide technique.....	38

## Introduction

The upCentric® electric height adjustable desk allows users to easily adjust their work surface to the optimal working height and to alternate between seated and standing positions throughout the work day, reducing backaches, pains, stress and tension, and improving circulation throughout the body.

Moving the upCentric desk is intuitive with the easy-to-use up/down control. The quiet motors housed in each of the desk's legs ensure a quick, smooth transition in positions.

The upCentric 2LV frame expands to accommodate a wide size range of work surfaces, making it easy to retrofit any surface into a height adjustable desk. The sturdy design maintains optimal stabilize when raised, even on the largest desk sizes.

## Specifications

UP-2LV	UP-2LV-22 (22")	UP-2LV-29 (29")
Height range (Frame only, does not include tabletop)	21.6" - 47.9"	21.6" - 47.9"
Depth of foot	21.65"	29.5"
Depth of bracket	19.7"	19.7"
Travel speed	1.6" per second	1.6" per second
Volume	39 Db	39 Db
Weight capacity*	260 lbs	260 lbs
Motors	2 (1 per leg)	2 (1 per leg)
Max. operational power draw	180 W	180 W
Stand-by power draw	<0.1 W	<0.1 W
Tabletop size range	22"x44" - 28"x84"	29"x44" - 36"x84"
Power cord length	118"	118"
Certifications	BIFMA e3 Level 2   BIFMA X5.5   CSA GREENGUARD Gold   UL	

\* Frame weight capacity based on standard operation, used in combination with a 1" thick tabletop, constructed with 45 lbs particle board and high-pressure laminate, within the range of sizes offered by ergoCentric Seating Systems.

Frame type	Tabletop size	Weight capacity (lbs)	Desk weight (lbs)
UP-2LV-22 -	24x48 -	230	103
UP-2LV-22 -	24x54 -	226	107
UP-2LV-22 -	24x60 -	222	111
UP-2LV-22 -	24x66 -	218	115
UP-2LV-22 -	24x72 -	214	119
UP-2LV-22 -	24x78 -	211	122
UP-2LV-22 -	24x84 -	207	126
UP-2LV-29 -	30x48 -	222	117
UP-2LV-29 -	30x54 -	217	122
UP-2LV-29 -	30x60 -	213	127
UP-2LV-29 -	30x66 -	208	131
UP-2LV-29 -	30x72 -	203	136
UP-2LV-29 -	30x78 -	198	141
UP-2LV-29 -	30x84 -	194	146
UP-2LV-29 -	36x48 -	214	125
UP-2LV-29 -	36x54 -	209	130
UP-2LV-29 -	36x60 -	203	136
UP-2LV-29 -	36x66 -	197	142
UP-2LV-29 -	36x72 -	192	147
UP-2LV-29 -	36x78 -	186	153
UP-2LV-29 -	36x84 -	180	159

## Standard features

---

### Presetable memory positions

upCentric® electric height adjustable desks come standard with 4 presetable memory positions, allowing you to set customized seated and standing desk heights, and to quickly adjust to these positions when changing between seated to standing positions. See page 12 for instructions on setting memory positions.

### One-touch adjustment

Once you have set a memory position, you no longer have to hold the up or down button to adjust the desk. Simply press the **1**, **2**, **3** or **4** button for your desired memory position and the desk will automatically adjust to your preset position.

## Minimum/maximum heights

You can set a minimum or maximum allowable adjustment height at any position within the adjustable range of the desk. If you have something above or below your work surface (such as a storage pedestal under your desk or a shelf mounted to above your work surface), these limits can be set to avoid accidental contact, eliminating instances of damage or injury. These adjustment settings can be cleared and re-set at different positions at any time. See pages 12 and 13 for instructions on setting min/max height limits.

## Customizable digital display settings

There are two changeable options for the digital height readout on the digital display handset:

### 1. Changing desk starting height

The default starting height on the digital height readout is 22.9", which is the accurate minimum desk height for this desk when using a 1" thick work surface and standard glides; however, if you add casters or retrofit the desk frame onto a tabletop that is thicker or thinner than 1" the starting height may be higher or lower than 22.9". In these cases, the digital height readout can be adjusted so that the starting height is accurate to the actual lowest height of the work surface. See page 13 for instructions.

### 2. Converting between metric and imperial measurements

The default unit of measure (UOM) displayed on the digital height readout is inches; however, you can change between inches and centimetres for your desired UOM. See page 14 for instructions.

## Gyro-sensor anti-collision system

Every upCentric® electric height adjustable desk has a built in gyro-sensor based anti-collision system. This patented anti-collision system uses precision gyroscope technology, allowing for three axis collision detection.

This sensor provides enhanced safety to help prevent user injury and equipment damage. When the desk is in motion, if it encounters any external resistance or unbalance in the tabletop, the gyro-sensor picks up the disturbance immediately and enacts a safety stop. The desk will stop moving immediately and reverse adjustment by 1" to move away from the obstruction it has come in contact with.

## Parallel connectivity

The upCentric UP-2LV is equipped with parallel connectivity. This feature allows you to connect two desks together and operate them as one desk. A Y-splitter cable is required to enable this.

## Power-saving and quick start wake-up

upCentric electric height adjustable desks have the lowest power draw of any electric height adjustable desk on the market. When no buttons have been pressed for 30 seconds, the control box goes into stand-by mode, where the control box uses less than 0.1 W of electricity.

When in sleep mode, press any button to wake the system up. The quick start feature allows the desk to start moving immediately once a button has been pressed, with no wake-up delay.

## Important information

---

- Always make sure all screws are tightened before use of the table and after moving or transporting.
- Duty cycle of the frame for desk is 10%, max. 2 minutes operating / min. 18 minutes stop.
- Ensure the loading on each leg is less than the maximum outlined below, otherwise it might cause permanent damage to the leg (s) during operation.

Load capacity	
Desk maximum	230 lbs (104.3 kg)
Each leg maximum	150 lbs (68 kg)

- When the motor cable is connected to the control box, the legs can maintain an adequate locking force up to the maximum load on the tabletop. However, when the cable is damaged or is disconnected from the control box, it will cause the desk to sink to the bottom within hours if the load on either leg is larger than the maximum capacity.
- Make sure that no persons or items will collide with the table, when adjusting upwards and downwards.
- Damaged cords must be replaced before connecting the main power cable.
- Keep at least  $\frac{3}{4}$ " of free space around the whole frame/tabletop.
- The upCentric® is not intended to be used as a person lift.
- Do not pull or push the table if adjusting.
- Do not lift the frame or table off of the ground when adjusting.

# Safety instructions

---

## Before installation/re-installation

Make sure that the desk is being installed as described in the “Assembly instructions” section of this owner’s manual. When installing and using electrical equipment, basic safety precautions should always be followed to avoid a risk of fire, electric shock, or injury to persons:

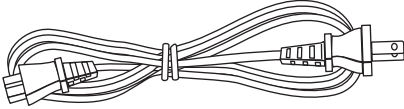
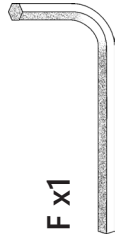
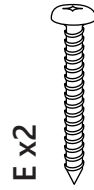
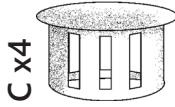
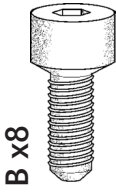
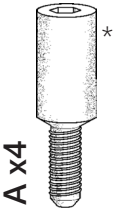
1. If the power cord is damaged it must be replaced.
2. Do not open any electrical components (control box, motor housing, handset).
3. Never drop or insert any object into any opening.
4. Make sure the correct tools and assembly parts are used when assembling the system.
5. Before transporting the desk, always remove the power cord from main power supply.

## During operation

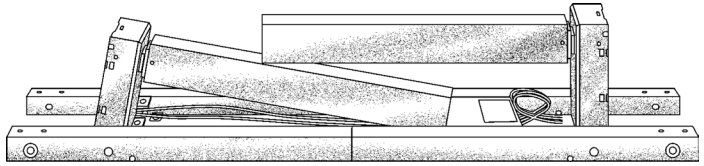
1. Not intended for use by children.
2. For indoor use only.
3. Do not use desk when the load exceeds the maximum capacity. See page 5 for weight limits.
4. Always unplug the desk from the electrical outlet before cleaning.
5. Unplug from outlet before installing or removing parts.
6. Keep the cord away from heated surfaces.
7. Do not operate where aerosol (spray) products are being used or where oxygen is being administered.
8. To disconnect, lower desk to minimum height, then remove plug from outlet.
9. If desk is heavily loaded, keep load away from edges to prevent the possibility of the desk tipping over.
10. Any servicing is to be performed by an authorized service representative. Contact [service@ergo-centric.com](mailto:service@ergo-centric.com) or 1 866 438-3746 for more information.
11. Make sure that no persons or items will collide with the desk when adjusting upwards and downwards.
12. If the control box or the legs make any unusual noises or smells, immediately unplug desk from power supply.



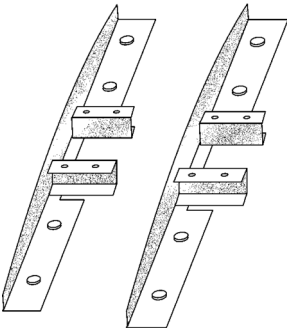
# Parts



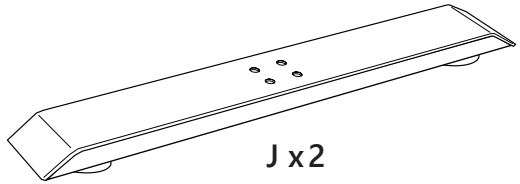
G x1



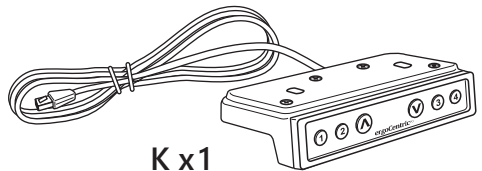
H x1



I x2



J x2



K x1

## Tools Required:

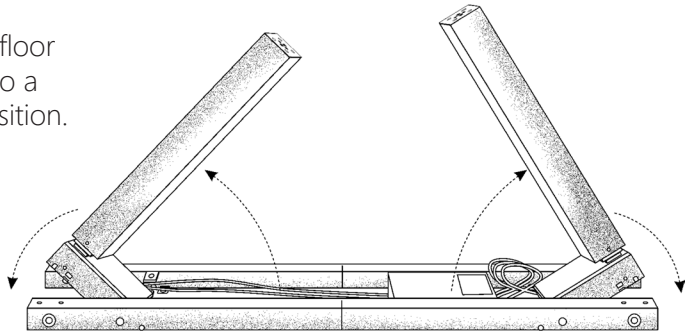
- a) Power drill  
Phillips head #2 bit
- OR
- b) Phillips head #2 screwdriver

\* These 4 bolts are already inserted in the upCentric frame.

# Assembly instructions

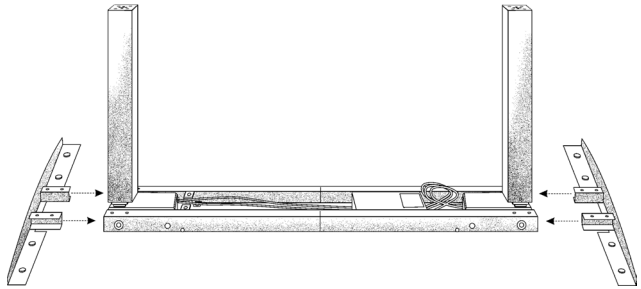
## Step 1:

Place frame (H) on floor and fold legs out into a vertically upright position.



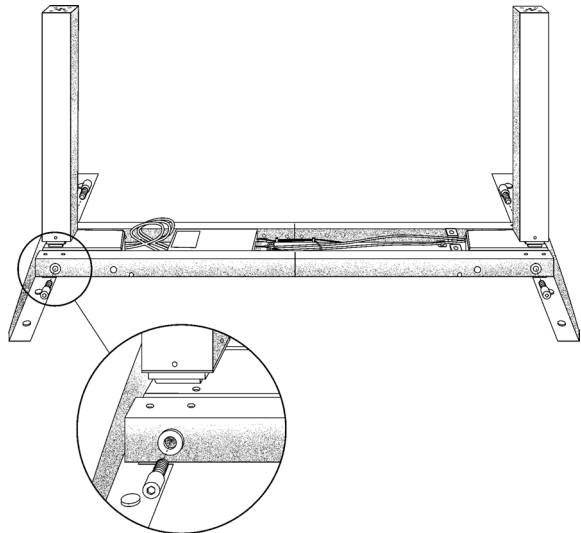
## Step 2:

Insert brackets (I) into ends of desk frame.



## Step 3:

Fasten brackets and legs into place with bolts (A).\*



\* These 4 bolts should already be inserted in the upCentric frame. If they are not, check box as they may have come loose during shipping.

## Step 4 – Adjust frame width:

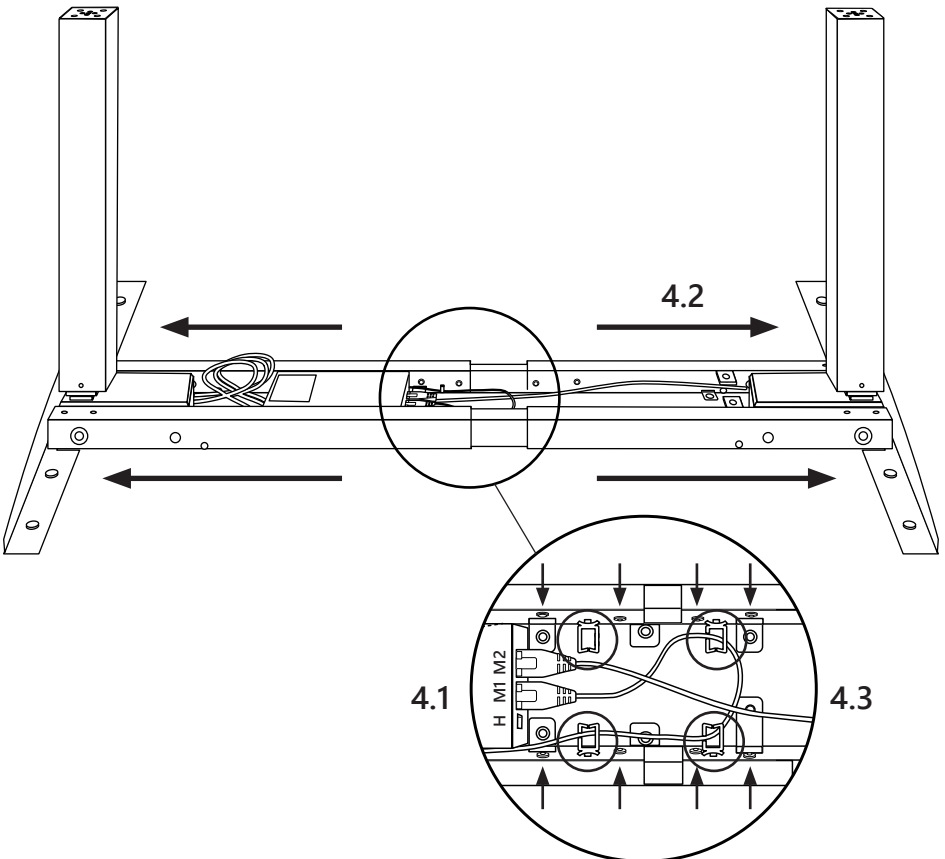
**4.1:** Unclip wires from wire clips (shown with circles) and loosen 8 bolts on inside of frame (shown with arrows).

**4.2:** Adjust frame by sliding each side in opposite directions until holes in desktop brackets (I) are aligned with pilot holes on tabletop.

**4.3:** Retighten 8 bolts on inside of frame, then reclip wires back into wire clips.

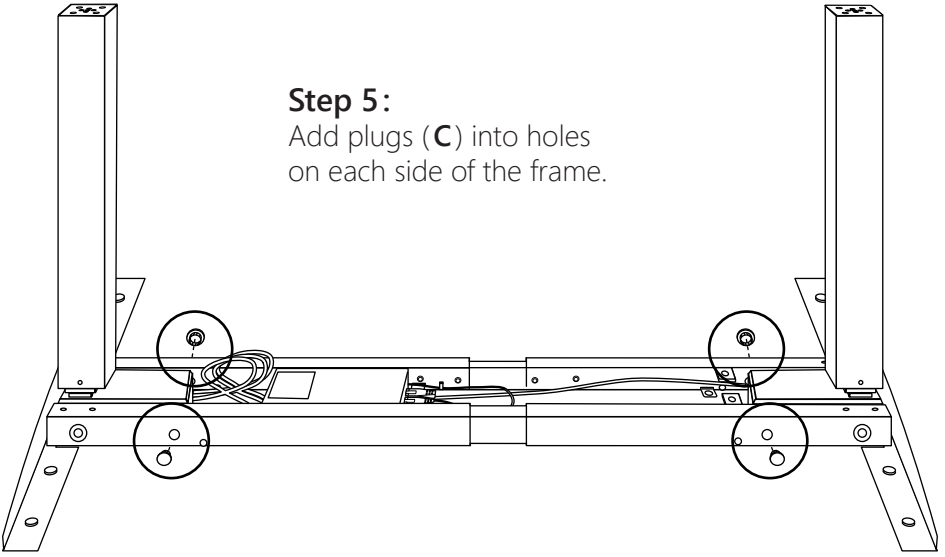
**Note:** Pilot holes make installation quick and easy, but they are not always necessary. If your tabletop does not have pilot holes, the ideal frame width is 2"-4" shorter than the tabletop width (leaving 1"-2" of overhang on each side).

i.e. on a 60" wide tabletop, ideal frame width is 56"-58".



### Step 5:

Add plugs (C) into holes on each side of the frame.



### Step 6:

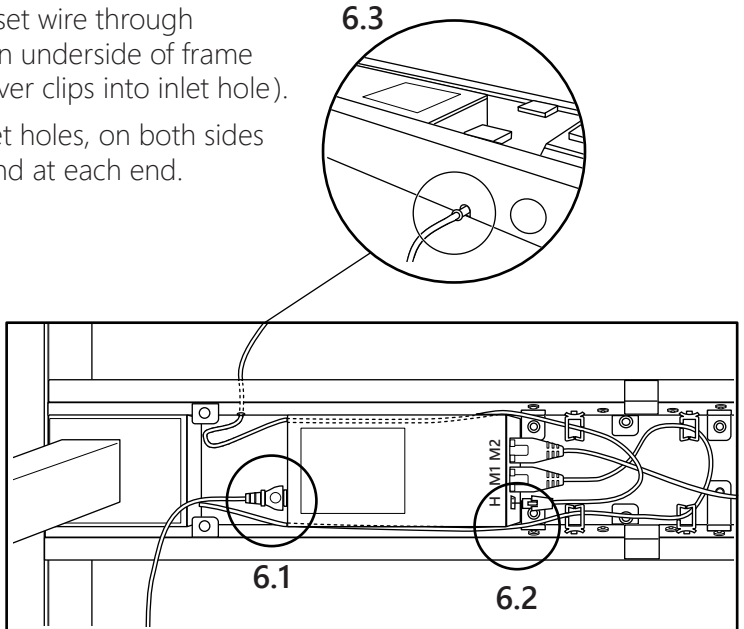
Plug AC cable (G) and handset (K) into control box:

**6.1:** Plug AC cable (G) into back of control box.

**6.2:** Plug handset wire (K) into front of control box, in the input marked "H".

**6.3:** Run handset wire through the inlet hole on underside of frame (plastic wire cover clips into inlet hole).

There are 4 inlet holes, on both sides of the frame, and at each end.

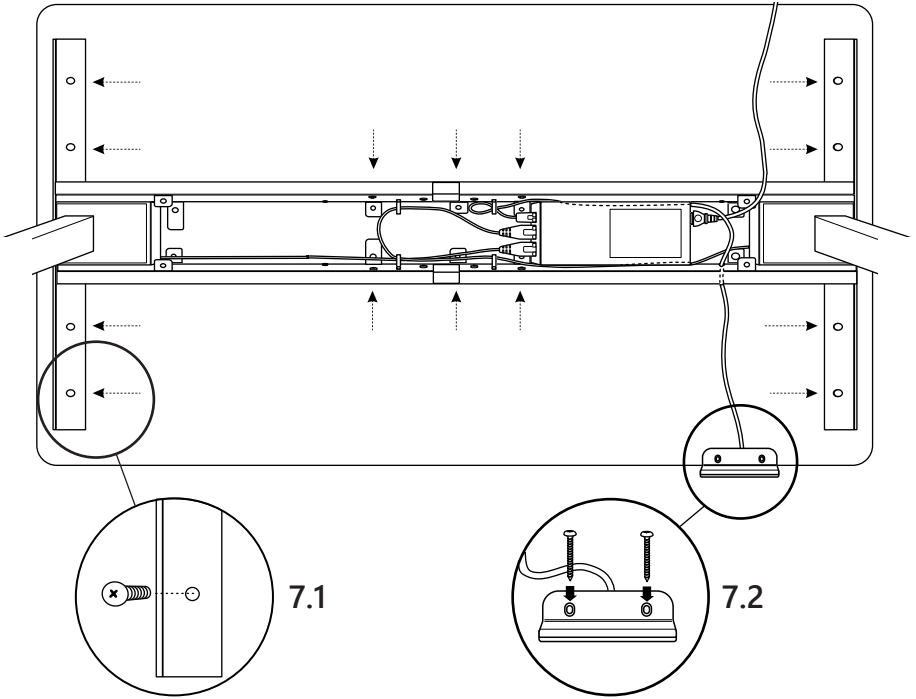


## Step 7:

Attach frame and handset to tabletop.

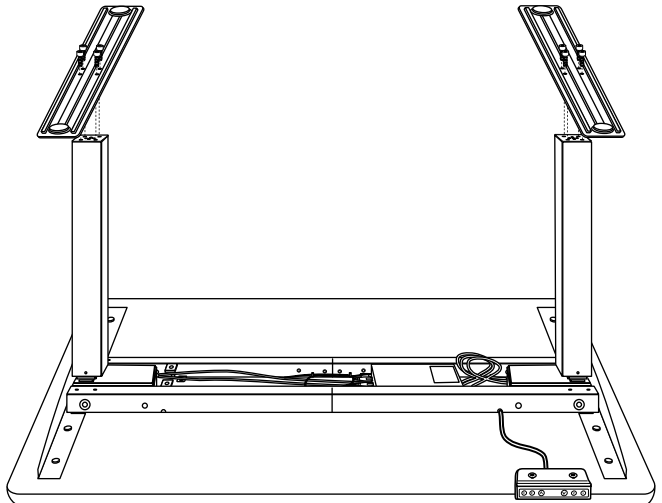
**7.1:** Place the frame in the center of the tabletop (aligned with pilot holes, or in desired location) and attach frame to tabletop with 14 screws (**D**).

**7.2:** Place handset (**K**) in the desired location and attach with screws (**E**), then secure excess wire into wire clips on underside of frame.



## Step 8:

Attach feet (**J**) to the ends of the desk legs with bolts (**B**).



# Getting started

---

The first time a desk is assembled, the legs must be synchronized before use.



## How to synchronize

▲ ▼ Press and hold the up/down buttons on the handset at the same time for 3-5 seconds, both legs will begin to lower. Continue holding the buttons until both legs reach the lowest position.

When finished synchronizing, the legs will stop moving and the handset will make a beep sound and the buttons can be released. The display will show the starting height.

---

## How to set a memory position

Use the ▲ and ▼ buttons to adjust desk to the desired height.

Hold the ▲ button and the desired memory button (1, 2, 3 or 4) together until P1, P2, P3 or P4 is shown on the display screen.

Now you can press the memory button and the desk will automatically move to the preset memory position.



---

## How to set a maximum height limit

Move the desk to the desired maximum height.


Press and hold the ▲ button while simultaneously pressing the ▼ button 4 times.

A beeping sound will notify you that the process has completed.




**Note:** You must press the ▲ and ▼ button at the same time on the first press and you must continue to hold the ▲ button the entire time, or this setting will not work.

## How to disable a maximum height limit

Move the desk to the maximum height limit.

Press and hold the  button while simultaneously pressing the  button 4 times.



A beeping sound will notify you that the process has completed.



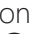
**Note:** You must press the  and  button at the same time on the first press and you must continue to hold the  button the entire time, or this setting will not work.

---

## How to set a minimum height limit

Move the desk to the desired minimum height limit.



Press and hold the  button while simultaneously pressing the  button 4 times. A beeping sound will notify you that the process has completed.




**Note:** You must press the  and  button at the same time on the first press and you must continue to hold the  button the entire time, or this setting will not work.

---

## How to disable a minimum height limit

Move the desk to the minimum height limit.




Press and hold the  button, while simultaneously pressing the  button 4 times. A beeping sound will notify you that the process has completed.

**Note:** You must press the  and  button at the same time on the first press and you must continue to hold the  button the entire time, or this setting will not work.

---

## Adjusting your starting display height

First, make sure your desk is adjusted to the lowest position.

Press and hold  for 5 seconds, the digital display will begin to flash. Once flashing, use the  and  buttons to adjust the height on the handset display.

Once the handset display is showing the correct height, wait 10 seconds. The display will stop flashing to confirm that you have successfully set the starting height.

## Switching between metric and imperial units

Press memory buttons **1** **2** and **4** for 5 seconds.

The handset display will show “C-I”.



**For metric:** Press **2**, the handset display will show “C” for centimeters.

**For imperial:** Press **3**, the handset display will show “I” for inches.

**Note:** Imperial units (inches) are the default UOM.

---

## Setting up parallel connectivity

A Y-splitter cable is required to parallel connect two UP-2LV frames to adjust as one.

Make sure both desks are adjusted to the lowest position.

Plug both “male” ends of the Y-splitter cable into the **H** port of both control boxes.

Plug the “male” end of the handset cable into the “female” end of the Y-splitter cable.

Synchronize all 4 legs together – press and hold **▲** and **▼** buttons together. The control boxes will beep twice to notify you that they are now parallel connected.

---

## Troubleshooting

This guide is to provide general instructions to troubleshoot your upCentric® height adjustable desk.

### WARNING

Ensure the desk is free to move and not obstructed.

Personnel should use caution to prevent injury from a desk in motion.





Please note this is a general guide and not absolute.



# Synchronize desk legs

Prior to performing any troubleshooting, perform a re-synchronization.

On occasion, the desk may require a re-sync for a variety of reasons. This is normal.

- Ensure there are no obstructions for the desk to move vertically.
- Press and hold  and  at the same time.
- Continue to hold  and  while the desk lowers until it reaches the bottom (lowest point).
- Release the buttons once the system beeps.
- If it does not beep, or if the desk is not level, repeat the re-sync operation.
- This operation may be required a few times until the desk is at the lowest level position.

The system has now been re-synchronized.

Error codes	
E00	Synchronization in progress
E01	Overuse protection
E02	Unbalance protection
E03	Anti-collision
E04	T-touch protection
E11	M1 motor over-current protection
E12	M2 motor over-current protection
E13	M3 motor over-current protection
E21	No Hall sensor from M1
E22	No Hall sensor from M2
E23	No Hall sensor from M3
E31	No current from M1
E32	No current from M2
E33	No current from M3

## **Issue: No movement at all**

- Perform re-sync (see page 15).
- Is green light on Control Box on?  
If it is, this mean there is power going to the desk.
- Does the handset light up and display correctly?
- If the Control Box has power and the handset appears to be working, unplug both items and reconnect ensuring all wires are secure.
- Perform re-sync (see page 15).
- If the frame still does not adjust, a service technician needs to be called.

## **Issue: Only one leg moves**

- Perform re-sync (see page 15).
- One leg may lower only 1", then stop.
- Continue to perform resets until both legs are at lowest position.
- If the frame still does not adjust, a service technician needs to be called.

## **Issue: Received frame without a control box**

- A 3-Leg main frame (Box 1) was sent in error instead of a 2-Leg frame.
- Contact ergoCentric to have the correct frame box sent out.

## **Issue: Cords to handset are too short**

- Request extension cords from ergoCentric.

## **Issue: Motor housing (where leg meets frame) is open**

- Lightly inspect to ensure no internal damage exists.
- If there is no internal damage, clip the plastic cover down and use as is.
- If there are any internal damage issues, the leg will need to be replaced.
- If the product was opened and the motor housing is opened, ignore the sticker message indicating warranty is void.

## **Issue: Control box is cracked / damaged**

- Document the damage and request a new control box from ergoCentric.

## **Issue: Wires are damaged**

- Document the damage and request new AC cable, handset, or leg as required.

## **Issue: Handset and control box are not working**

- Unplug everything from control box for 10 seconds, then plug back in.
- Perform re-sync (see page 15).
- If it lights up green, this means there is power going to the desk. If not, request a new control box.
- Does the handset light up and display correctly? If not, request a new handset.
- Perform re-sync (see page 15).
- If the frame still does not adjust, a service technician needs to be called.

## **Issue: Legs are not moving together**

- Have a service technician bring in a new control box to test on the frame.
- If the test control box does not fix the issue, the service technician should have spare legs to test and replace the problem leg(s).

## **Issue: Frame is leaking lubricant from the bottom of a leg**

- The frame may have been over-lubricated and the extra lubrication is now leaking out.
- This will not cause any mechanical problems with the frame and it will continue to work properly.
- Wipe off any excess lubrication and the frame should no longer leak.

## **Issue: Mid-section of leg does not adjust with whole leg**

- The leg will continue to work properly. May make a loud noise while adjusting.
- If this is a persistent issue, a service technician can replace the leg.

## Disposal guidance

---

upCentric® height adjustable desks may be disposed of by dividing them into different waste groups for recycling or combustion.

We recommend that the upCentric is disassembled as much as possible before disposal. Main groups within sorting of waste: metal, plastic, cable scrap, combustible material and collection for recoverable resources.

Do not dispose of electrical appliances as unsorted municipal waste; use separate collection facilities.

Contact your local government for information regarding the collection systems available. If electrical appliances are disposed of in landfills or dumps, hazardous substances can leak into the groundwater and get into the food chain, damaging your health and wellbeing.

## Warranty

---

- 12 year warranty covers the frame structure and steel parts.
- 12 year warranty on high pressure laminate tabletops.
- 7 year warranty on motors, wires and all electronic components.

ergoCentric Seating Systems hereby warrants all of its desks and accessory products against defects and functional failure of materials.

These warranties shall not apply to any products which must be replaced because of normal wear and tear, negligence, abuse or accident, shipping damage, or product use other than in accordance with written instructions and warnings.

ergoCentric makes no warranty that any of its products are suitable for any particular purpose and makes no other warranties, expressed or implied, other than those set forth herein.

In no event shall ergoCentric be liable in either tort or contract for any loss or direct, special, incidental, consequential or exemplary damages. This warranty is based on the use during an eight hour work day.

## Warranty claims

ergoCentric will repair or replace any product or materials, covered by this warranty, found to be defective or inferior within the warranted period.

This warranty includes the cost of labour and shipping. Claims are to be made directly to ergoCentric or to the authorized representative from whom the product was purchased. Product or materials, for which a claim has been made, must be made available for inspection by an authorized ergoCentric representative.

---

## Limit of warranty

These warranties shall be valid only during the term of these warranties; and while the products herein warranted are in the possession of the original purchaser. The original purchaser shall mean the party which first purchased the products for its own use whether from ergoCentric or an authorized ergoCentric representative.

## If you need assistance

---

Please contact ergoCentric:

- Phone: 1 866 GET ERGO (438-3746)
- Email: [service@ergocentric.com](mailto:service@ergocentric.com)

## Introduction

La table électrique à hauteur réglable upCentric® permet aux utilisateurs de régler facilement leur surface de travail à la hauteur optimale et d'alterner entre les positions assises et debout tout au long de la journée de travail. La modification de la hauteur de la table réduit les maux de dos, les douleurs, le stress, les tensions et améliore la circulation dans tout le corps.

Les commandes de changements de position de la table upCentric sont intuitives grâce au mode haut-bas facile à utiliser. Les moteurs silencieux logés dans chacun des pieds de la table assurent une transition rapide et en douceur pour chacune des positions.

Le cadre de l'upCentric 2LV s'étend pour s'adapter à une large gamme de surfaces de travail, ce qui permet de transformer facilement n'importe quelle surface en une table réglable en hauteur. La conception robuste maintient une stabilisation optimale lorsqu'elle est soulevée, même sur les bureaux les plus grands.

## Specifications

UPMOD-2L	UPMOD-2L-22 (22 po)	UPMOD-2L-29 (29 po)
Plage de réglage de la hauteur (cadre uniquement, ne comprend pas le plateau)	21,6 po à 47,9 po	21,6 po à 47,9 po
Profondeur du piètement	21,65 po	29,5 po
Profondeur du support	21,65 po	21,65 po
Vitesse	1,6 po par second	1,6 po par second
Puissance sonore	39 Db	39 Db
Poids maximal*	260 lbs	260 lbs
Moteurs	2 (1 par pied)	2 (1 par pied)
Consommation électrique maximale	280 W	280 W
Consommation électrique en mode veille	<0,1 W	<0,1 W
Dimensions des plateaux de table	22 po x 44 po à 28 po x 84 po	29 po x 44 po à 36 po x 84 po
Longueur du cordon d'alimentation	118 po	118 po
Certifications	BIFMA e3 Level 2   BIFMA X5.5   CSA GREENGUARD Gold   UL	

\* Capacité de poids basée sur un usage standard où le cadre est utilisé en combinaison avec un plateau de table de 1 po d'épaisseur, fait de panneaux de particules de 45 lbs et de stratifié haute pression, dans la gamme de dimensions offertes par ergoCentric Seating Systems.

Type de cadre	Taille de la table	Capacité de poids (lbs)	Poids de la table (lbs)
UP-2LV-22 -	24x48 -	230	103
UP-2LV-22 -	24x54 -	226	107
UP-2LV-22 -	24x60 -	222	111
UP-2LV-22 -	24x66 -	218	115
UP-2LV-22 -	24x72 -	214	119
UP-2LV-22 -	24x78 -	211	122
UP-2LV-22 -	24x84 -	207	126
UP-2LV-29 -	30x48 -	222	117
UP-2LV-29 -	30x54 -	217	122
UP-2LV-29 -	30x60 -	213	127
UP-2LV-29 -	30x66 -	208	131
UP-2LV-29 -	30x72 -	203	136
UP-2LV-29 -	30x78 -	198	141
UP-2LV-29 -	30x84 -	194	146
UP-2LV-29 -	36x48 -	214	125
UP-2LV-29 -	36x54 -	209	130
UP-2LV-29 -	36x60 -	203	136
UP-2LV-29 -	36x66 -	197	142
UP-2LV-29 -	36x72 -	192	147
UP-2LV-29 -	36x78 -	186	153
UP-2LV-29 -	36x84 -	180	159

## Caractéristiques standard

### Positions mémorisées pré réglables

Les tables électriques à hauteur réglable upCentric® sont toutes équipées de quatre positions mémorisées pré réglables. Cela vous permet de définir des hauteurs personnalisées pour les positions assises et debout et d'ajuster rapidement la table lorsque vous passez de la position assise à la position debout. Voir page 30 pour les instructions de réglage des positions mémorisées.

### Réglage par simple pression

Une fois que vous avez défini une position de mémoire, vous n'avez plus besoin de maintenir le bouton haut ou bas pour ajuster la table. Il vous suffit d'appuyer sur la touche **1**, **2**, **3** ou **4** de la position mémoire souhaitée et la table s'ajustera automatiquement à la position pré réglée.

## Hauteurs minimales-maximales

Vous pouvez définir une hauteur minimale ou maximale de réglage admissible à n'importe quelle position selon les possibilités de réglage de la table. Si vous avez installé quelque chose au-dessus ou en dessous de votre surface de travail (comme un socle de rangement sous votre bureau ou une étagère montée au-dessus de votre surface de travail), ces limites peuvent être ajustées pour éviter tout contact accidentel. Ces ajustements éliminent les risques de dommages ou de blessures. De plus, ces paramètres de réglage peuvent être effacés et réinitialisés dans des positions différentes à tout moment. Voir page 30 pour les instructions de réglage des limites de hauteur minimale et maximale.

## Réglages personnalisables de l'affichage numérique

Il existe deux options modifiables de l'affichage numérique de la hauteur sur le combiné à affichage numérique :

### 1. Changer la hauteur de départ de la table

La hauteur de départ par défaut de l'affichage numérique de la hauteur est de 22,9 po. Cette mesure correspond précisément à la hauteur minimale de la table lorsque vous utilisez une surface de travail de 1" d'épaisseur et des patins standard. Toutefois, si vous ajoutez des roulettes ou si vous installez le cadre de la table sur un plateau plus épais ou plus mince que 1 po, la hauteur de départ peut être supérieure ou inférieure à 22,9 po.

Dans ces cas, l'affichage de la hauteur peut être ajusté de manière à ce que la hauteur de départ soit cohérente par rapport à la plus basse hauteur réelle du plan de travail. Voir page 30 pour les instructions.

### 2. Effectuer la conversion des mesures impériales en mesures métriques

L'unité de mesure par défaut affichée sur l'affichage numérique de la hauteur est le pouce. Vous pouvez cependant changer pour les centimètres en sélectionnant l'unité de mesure de votre choix.

Voir page 32 pour les instructions.

## Système anticollision à gyroscope

Chaque table électrique upCentric® à hauteur réglable est équipée d'un système anticollision à gyroscope intégré. Ce système anticollision breveté utilise une technologie gyroscopique de précision, permettant la détection de collision sur trois axes.

Ce capteur offre une sécurité accrue pour aider à prévenir les blessures des utilisateurs et les dommages aux équipements. Lorsque la table est en mouvement, si elle rencontre une résistance externe ou un déséquilibre dans le plateau, le capteur gyroscopique détecte immédiatement la perturbation et déclenche un arrêt de sécurité. La table s'arrête immédiatement et inverse le réglage de 1 po pour s'éloigner de l'obstacle avec lequel elle est entrée en contact.



## Économie d'énergie et sortie rapide du mode veille

Les tables électriques upCentric à hauteur réglable ont la plus faible consommation d'énergie de toutes les tables électriques à hauteur réglable du marché. Lorsqu'aucun bouton n'a été pressé pendant 30 secondes, le boîtier de commande se met en mode veille. Il consomme alors moins de 0,1 W d'électricité. Il suffit d'appuyer sur n'importe quel bouton pour quitter le mode veille et réveiller le système. La fonction de démarrage rapide permet à la table de se mettre en mouvement immédiatement après que l'on ait appuyé sur un bouton, sans délai de réveil.

## Connectivité parallèle

Le bureau upCentric UP-2LV est équipé d'une connectivité parallèle. Cette fonction vous permet de connecter deux bureaux ensemble et de les faire fonctionner comme un seul bureau. Un câble séparateur en Y est nécessaire pour cela.

## Informations importantes

- Veillez toujours à ce que toutes les vis soient bien serrées avant d'utiliser la table ainsi qu'après son déplacement ou son transport.
- Le coefficient d'utilisation du cadre de la table est de 10 %, au maximum 2 minutes de fonctionnement/minimum 18 minutes d'arrêt.
- Veillez à ce que la charge sur chaque pied soit inférieure au maximum indiqué ci-dessous, sinon vous risquez de causer des dommages permanents au(x) pied(s) pendant le fonctionnement.

### Capacité de charge

Pour la table : maximum de 230 lbs (104.3 kg)

Pour chaque pied : maximum de 150 lbs (68 kg)

- Lorsque le câble du moteur est connecté au boîtier de commande, les pieds peuvent maintenir une force de verrouillage adéquate jusqu'à la charge maximale sur le plateau de la table. Cependant, si le câble est endommagé ou débranché du boîtier de commande, il fera redescendre le bureau en quelques heures si la charge sur l'un ou l'autre des pieds est supérieure à la capacité maximale.
- Assurez-vous qu'aucune personne ni aucun objet n'entre en collision avec la table lors du réglage vers le haut ou vers le bas.
- Les cordons endommagés doivent être remplacés avant de brancher le câble d'alimentation principal.
- Gardez au moins  $\frac{3}{4}$  po d'espace libre autour du cadre ou du plateau de la table.
- La table upCentric n'est pas destinée à être utilisée comme élévateur de personnes.
- Ne tirez pas ou ne poussez pas la table lorsque vous la réglez.
- Ne soulevez pas le cadre ou la table du sol lors du réglage.

# Instructions de sécurité

---

## Avant l'installation-la réinstallation

Assurez-vous que la table est installée comme décrit dans la section « Instructions de montage » du présent manuel. Lors de l'installation et de l'utilisation d'un équipement électrique, des précautions de sécurité de base doivent toujours être prises pour éviter tout risque d'incendie, de décharge électrique ou de blessure :

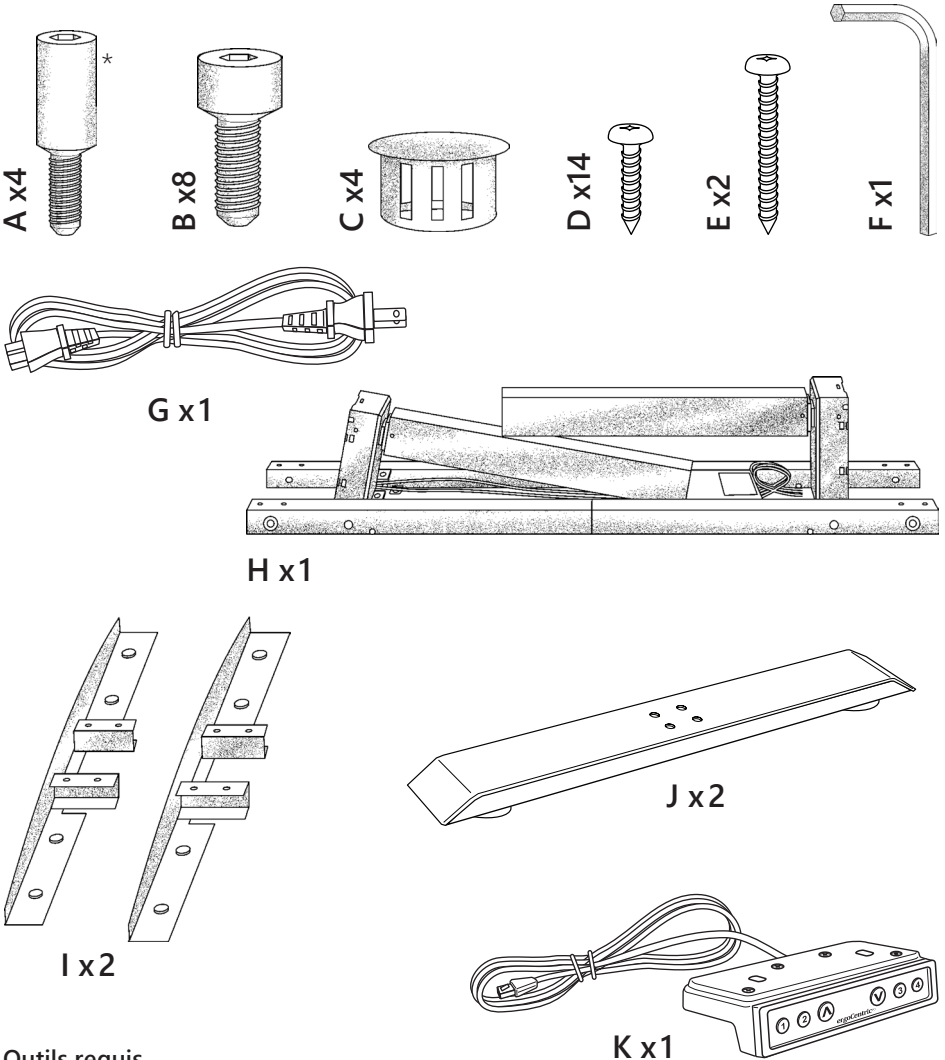
1. Si le cordon d'alimentation est endommagé, il doit être remplacé.
2. N'ouvrez aucun composant électrique (boîtier de commande, boîtier du moteur, combiné).
3. Ne jamais laisser tomber ou insérer un objet dans une ouverture.
4. Veillez à utiliser les bons outils et les bonnes pièces de montage lors de l'assemblage du système.
5. Avant de transporter la table, retirez toujours le cordon d'alimentation de la principale prise d'alimentation.

## Pendant le fonctionnement

1. Non destinée à être utilisée par des enfants.
2. Pour une utilisation à l'intérieur uniquement.
3. Ne pas utiliser la table lorsque la charge dépasse la capacité maximale. Voir page 23 pour les limites de poids.
4. Débranchez toujours la table de la prise électrique avant de la nettoyer.
5. Débranchez la table de la prise de courant avant d'installer ou de retirer des pièces.
6. Éloignez le cordon d'alimentation des surfaces chauffées.
7. Ne pas utiliser dans des lieux où des produits en aérosol sont utilisés ou dans lesquels de l'oxygène est administré.
8. Pour déconnecter, abaisser la table à la hauteur minimale, puis retirer la fiche de la prise.
9. Si la table est très chargée, éloignez la charge des bords pour éviter qu'elle ne bascule.
10. Tout entretien doit être effectué par un représentant de service autorisé. Contactez [service@ergo-centric.com](mailto:service@ergo-centric.com) ou 1 866 438-3746 pour plus d'informations.
11. Assurez-vous qu'aucune personne ni aucun objet ne risque de heurter la table lors du réglage vers le haut ou vers le bas.

12. Si le boîtier de commande ou les pieds produisent des odeurs ou font des bruits inhabituels, débranchez immédiatement la table de l'alimentation électrique.

## Pièces



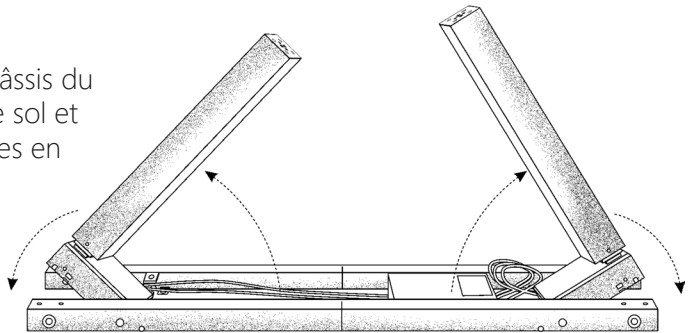
### Outils requis

- a) Perceuse électrique  
Embout cruciforme no 2, de type Phillips  
**Ou**
- b) Tournevis  
Cruciforme no 2, de type Phillips

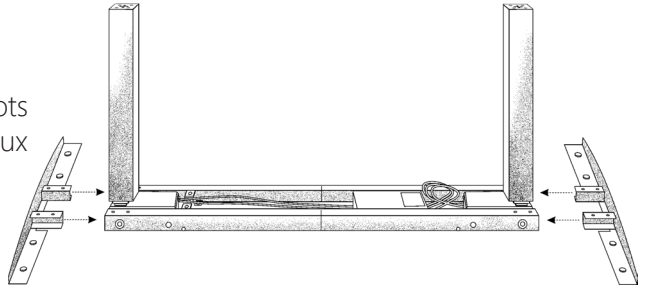
\* Ces 4 boulons sont déjà insérés dans le cadre upCentric.

# Instructions de montage

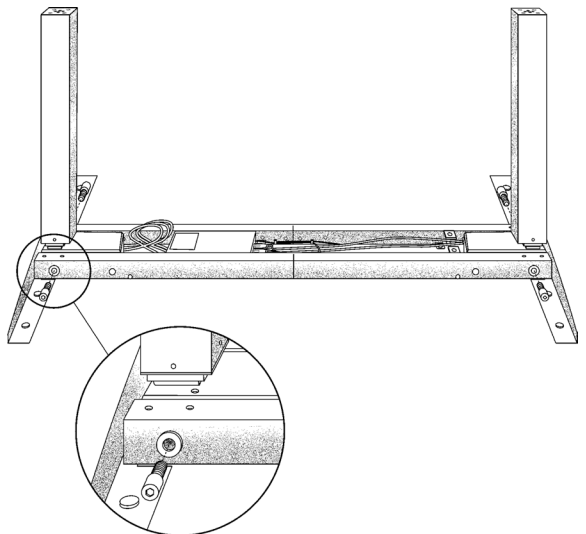
**Étape 1:** Poser le châssis du piètement (**H**) sur le sol et redresser les colonnes en position verticale.



**Étape 2:** Insérer les ergots des montants (**I**) aux deux extrémités du châssis.



**Étape 3:** Fixer les montants et les colonnes en place avec les boulons (**A**).



## Étape 4 – Ajuster la largeur du cadre:

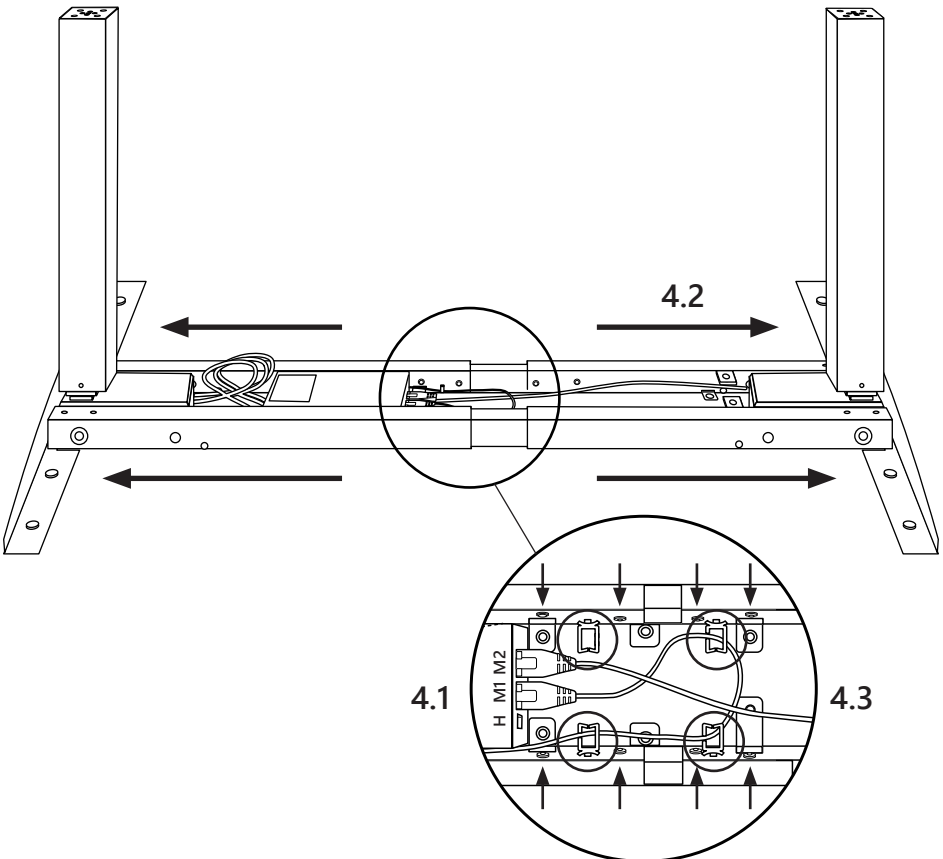
**4.1:** Débranchez les fils des pinces (indiqué par des cercles) et desserrez 8 boulons à l'intérieur du cadre (indiqué par des flèches).

**4.2:** Ajustez le cadre en faisant glisser chacun de ses côtés dans des directions opposées jusqu'à ce que les trous des supports de table (I) soient alignés avec les trous de guidage du dessus de table.

**4.3:** Resserrez les 8 boulons à l'intérieur du cadre, puis remettez les fils en place dans les pinces à fil.

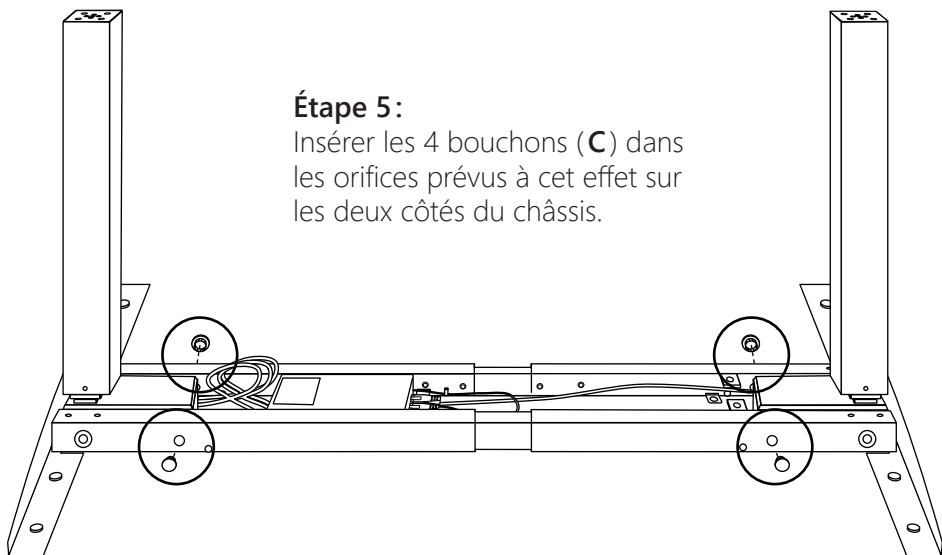
**Note:** les trous de guidage permettent une installation rapide et facile, mais ils ne sont pas toujours nécessaires. Si votre table n'a pas de trous de guidage, la largeur idéale du cadre est de 2 à 4 pouces plus courte que celle du plateau (laissant de 1 po à 2 po de surplomb de chaque côté).

Par exemple, sur un plateau de table de 60 po de large, la largeur idéale du cadre est de 56 po à 58 po.



### Étape 5:

Insérer les 4 bouchons (C) dans les orifices prévus à cet effet sur les deux côtés du châssis.



### Étape 6:

Brancher le câble AC (G) et le combiné (K) dans le boîtier de commandes :

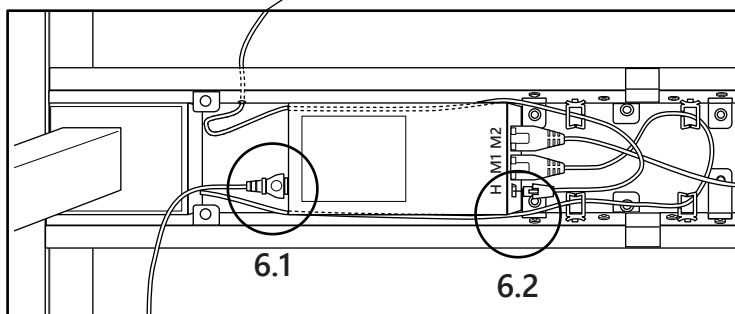
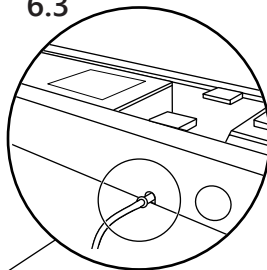
**6.1:** branchez le câble AC (G) à l'arrière du boîtier de commandes.

**6.2:** branchez le câble du combiné (K) à l'avant du boîtier de commandes, dans l'entrée marquée « H ».

**6.3:** Faites passer le câble du combiné (K) par le trou d'entrée situé sous le cadre (le couvercle en plastique du fil se referme sur le trou d'entrée).

Il y a 4 trous d'entrée : des deux côtés du cadre et à chaque extrémité.

**6.3**

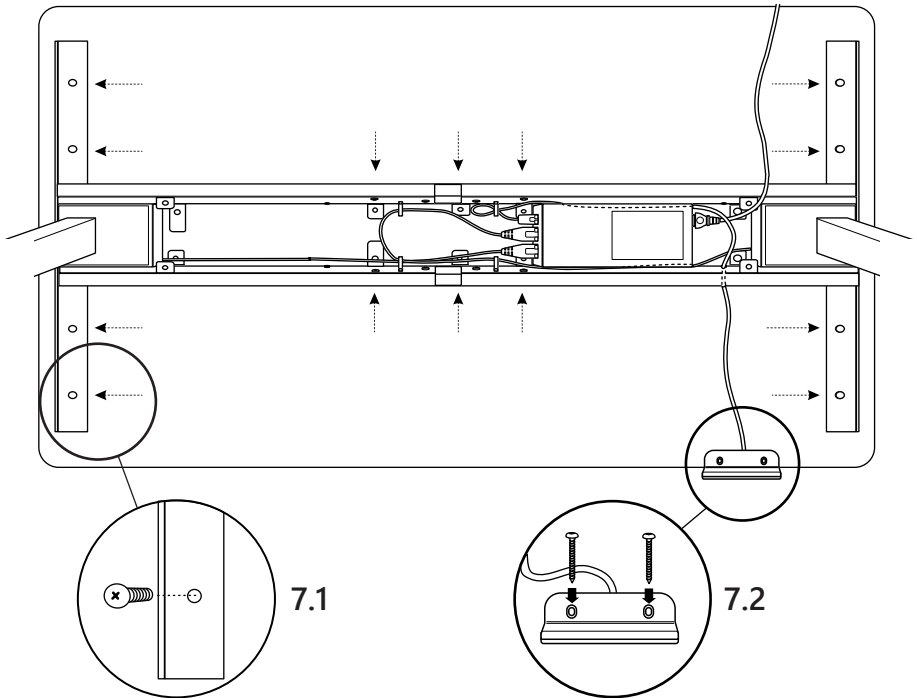


## Étape 7:

Fixer le cadre et le combiné sur la table.

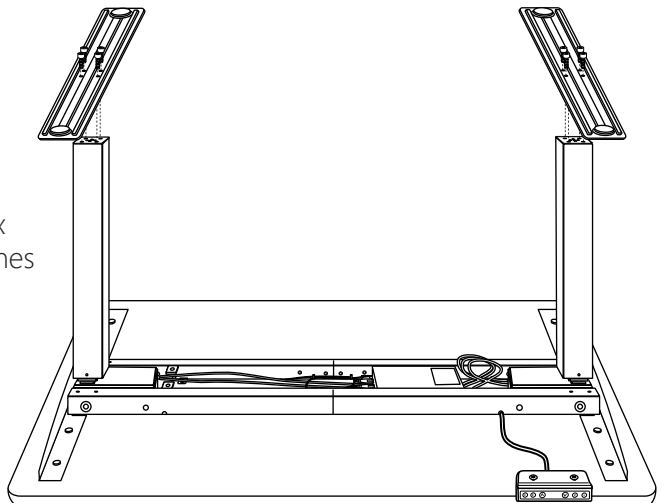
**7.1:** Placez le cadre au centre de la table (aligné avec les trous de guidage, ou à l'endroit désiré) et fixez le cadre sur la table avec 14 vis (**D**).

**7.2:** Placez le combiné (**K**) à l'endroit désiré et fixez-le à l'aide des vis (**E**), puis installez l'excédent de fil dans les pinces à fil sous le cadre.



## Étape 8:

Fixer les pieds (**J**) aux extrémités des colonnes avec les boulons (**B**).



## Pour commencer

---

Lors du premier assemblage de la table, les pieds doivent être synchronisés avant l'utilisation.



### Comment synchroniser

⬆️⬇️ Appuyez sur les boutons haut-bas du combiné et maintenez-les enfoncés en même temps pendant de 3 à 5 secondes. Les deux pieds commenceront à s'abaisser. Continuez à maintenir les boutons enfoncés jusqu'à ce que les deux pieds atteignent la position la plus basse.

Une fois la synchronisation terminée, les pieds s'arrêtent de bouger et le combiné émet un bip sonore. Les boutons peuvent alors être relâchés. L'écran affichera la hauteur de départ.

---

### Comment définir une position mémorisée

Utilisez les boutons ⬆️ et ⬇️ pour ajuster la table à la hauteur souhaitée.

Maintenez le bouton ⬆️ et le bouton de mémoire désiré ( **1**, **2**, **3** ou **4** ) ensemble jusqu'à ce que **P1**, **P2**, **P3** ou **P4** s'affiche sur l'écran.

Vous pouvez maintenant appuyer sur le bouton de mémoire et la table se placera automatiquement à la position mémorisée pré-réglée.



---

### Comment fixer une limite de hauteur maximale

Montez la table à la hauteur maximale souhaitée.

Appuyez sur le bouton ⬆️ et maintenez-le enfoncé tout en appuyant simultanément sur le bouton ⬇️ 4 fois.

Un signal sonore vous indiquera que le processus est terminé.

**Note:** vous devez appuyer simultanément sur ⬆️ et ⬇️ la première fois que vous les pressez et vous devez continuer à maintenir le bouton ⬆️ enfoncé pendant tout ce temps, sinon ce réglage ne fonctionnera pas.



## Comment désactiver une limite de hauteur maximale

Placez la table à la hauteur maximale.

Appuyez sur le bouton  et maintenez-le enfoncé tout en appuyant simultanément sur le bouton  4 fois.



Un signal sonore vous indiquera que le processus est terminé.

**Note:** vous devez appuyer simultanément sur  et  lors de la pression initiale et vous devez continuer à maintenir le bouton  enfoncé pendant tout ce temps, sinon ce réglage ne fonctionnera pas.

---

## Comment fixer une limite de hauteur minimale

Placez la table jusqu'à la hauteur minimale souhaitée.



Appuyez sur le bouton  et maintenez-le enfoncé tout en appuyant simultanément sur le bouton  4 fois. Un signal sonore vous indiquera que le processus est terminé.

**Note:** vous devez appuyer simultanément sur  and  lors de la pression initiale et vous devez continuer à maintenir le bouton  enfoncé pendant tout ce temps, sinon ce réglage ne fonctionnera pas.

---

## Comment désactiver une limite de hauteur minimale

Placez la table à la hauteur minimale.

Appuyez sur le bouton  et maintenez-le enfoncé tout en appuyant simultanément sur le bouton  4 fois. Un signal sonore vous indiquera que le processus est terminé.

**Note:** vous devez appuyer simultanément sur  and  lors de la pression initiale et vous devez continuer à maintenir le bouton  enfoncé pendant tout ce temps, sinon ce réglage ne fonctionnera pas.

---

## Ajustement de la hauteur d'affichage de départ

Tout d'abord, assurez-vous que votre table est réglée à la position la plus basse. Maintenez la touche enfoncée  pendant 5 secondes et l'affichage numérique se mettra à clignoter. Une fois qu'il clignote, utilisez les touches  et  pour régler la hauteur sur l'affichage du combiné.

Une fois que l'écran du combiné affiche la bonne hauteur, attendez 10 secondes. L'affichage cessera de clignoter pour confirmer que vous avez bien réglé la hauteur de départ.

## Passage des unités impériales aux unités métriques

Appuyez sur les boutons de mémoire **1** **2** et **4** pendant 5 secondes. L'écran du combiné affichera "C-I".



**Pour le système métrique:** appuyez sur **2**, l'écran du combiné affichera "C" en centimètres.

**Pour les mesures impériales:** appuyez sur **3**, l'écran du combiné affichera "I" pour les pouces.

**Note:** les unités impériales (pouces) sont les unités utilisées par défaut.

---

## Configuration du branchement en parallèle

Un câble diviseur en Y est nécessaire pour connecter en parallèle deux cadres UP-2LV afin de les ajuster en un seul.

Veillez à ce que les deux tables soient réglées sur la position la plus basse.

Branchez les deux extrémités « mâles » du câble séparateur en Y dans le port **H** des deux boîtiers de commande.

Branchez l'extrémité « mâle » du câble du combiné dans l'extrémité « femelle » du câble du diviseur en Y.

Synchroniser les 4 pieds ensemble – appuyez sur les boutons **▲** et **▼**, maintenez-les enfoncés ensemble.

Les boîtiers de contrôle émettront deux bips pour vous avertir qu'ils sont maintenant connectés en parallèle.

---

## Dépannage

Ce guide a pour but de fournir des instructions générales pour réparer votre table ergonomique upCentric® à hauteur réglable.





## AVERTISSEMENT

Assurez-vous que le bureau est bien dégagé et qu'il n'est pas obstrué. Le personnel doit faire preuve de prudence pour éviter de se blesser avec un bureau dont le mouvement est activé. Veuillez noter qu'il s'agit d'un guide général et qu'il ne s'applique pas à tous les cas.

## Synchroniser les pieds de la table

Avant de procéder à un dépannage, effectuez une resynchronisation.

À l'occasion, la table peut nécessiter une resynchronisation pour diverses raisons. Ceci est normal.

- Assurez-vous qu'il n'y a pas d'obstacle au déplacement vertical de la table.
- Appuyez et maintenez  et  en même temps.
- Continuez à maintenir la touche enfoncée  et  pendant que le bureau s'abaisse jusqu'à ce qu'il atteigne le point le plus bas.
- Relâchez les boutons dès que le système émet un bip.
- S'il ne fait pas de bip, ou si le bureau n'est pas à niveau, répétez l'opération de resynchronisation.
- Cette opération peut être requise plusieurs fois jusqu'à ce que le bureau soit au niveau le plus bas.

Le système est maintenant resynchronisé.

Codes d'erreur	
E00	Synchronisation en cours
E01	Protection contre la surconsommation
E02	Protection contre les déséquilibres
E03	Anti-collision
E04	Protection contre les contacts accidentels
E11	M1 protection contre les surintensités de moteur
E12	M2 protection contre les surintensités de moteur
E13	M3 protection contre les surintensités de moteur
E21	Pas de capteur à effet Hall de M1
E22	Pas de capteur à effet Hall de M2
E23	Pas de capteur à effet Hall de M3
E31	Pas de courant en provenance de M1
E32	Pas de courant en provenance de M2
E33	Pas de courant en provenance de M3

## **Problème: pas de mouvement du tout**

- Effectuez la resynchronisation (voir page 33).
- Le voyant vert de la boîte de contrôle est-il allumé?  
Si c'est le cas, cela signifie que l'alimentation électrique fonctionne et que le courant arrive à la table.
- Le combiné s'allume-t-il et s'affiche-t-il correctement?
- Si le boîtier de contrôle est sous tension et que le combiné semble fonctionner, débranchez les deux éléments et rebranchez-les en vous assurant que tous les fils sont bien fixés.
- Effectuez une réinitialisation (voir page 33).
- Si le cadre ne s'ajuste toujours pas, vous devez appeler un technicien de service.

## **Problème: un seul pied bouge**

- Effectuez la réinitialisation (voir page 33).
- Un pied ne peut descendre que de 1 po, puis s'arrêter.
- Continuez à effectuer des réinitialisations jusqu'à ce que les deux pieds soient à la position la plus basse.
- Si le cadre ne s'ajuste toujours pas, vous devez appeler un technicien de service.

## **Problème: cadre reçu sans boîtier de commande**

- Un cadre principal à 3 pieds (case 1) a été envoyé par erreur au lieu d'un cadre à 2 pieds.
- Contactez ergoCentric pour recevoir la bonne boîte de cadre.

## **Problème: les câbles du combiné sont trop courts**

- Demandez des rallonges à ergoCentric.

## **Problème: le boîtier du moteur (à la jonction du pied et du cadre) est ouvert**

- Inspectez légèrement pour vous assurer qu'il n'y a pas de dommages internes.
- S'il n'y a pas de dommage interne, refermez le couvercle en plastique et utilisez-le tel quel.

- S'il y a des problèmes de dommages internes, le pied devra être remplacé.
- Si le produit a été ouvert et que le boîtier du moteur est ouvert, ignorez l'autocollant qui indique que la garantie est nulle.

## **Problème: le boîtier de commande est fissuré ou endommagé**

- Notez les dommages et demandez un nouveau boîtier de contrôle à ergoCentric.

## **Problème: des fils sont endommagés**

- Notez les dommages et demandez à ergoCentric un nouveau câble CA, un nouveau combiné ou un nouveau pied, selon le cas.

## **Problème: le combiné et le boîtier de commande ne fonctionnent pas**

- Débranchez tous les fils du boîtier de contrôle pendant 10 secondes, puis rebranchez-les.
- Effectuez une réinitialisation (voir page 33).
- Si une lumière verte s'allume, cela signifie qu'il y a du courant qui arrive à la table. Sinon, demandez un nouveau boîtier de contrôle à ergoCentric.
- Le combiné s'allume-t-il et s'affiche-t-il correctement? Si ce n'est pas le cas, demandez un nouveau combiné.
- Effectuez une resynchronisation (voir page 33).
- Si le cadre ne s'ajuste toujours pas, vous devez appeler un technicien de service.

## **Problème: les pieds ne bougent pas ensemble**

- Demandez à un technicien de service d'apporter un nouveau boîtier de commande pour tester le cadre.
- Si le boîtier de contrôle testé ne résout pas le problème, le technicien doit disposer de pieds de rechange pour tester et remplacer le ou les pieds problématiques.

## **Problème: le cadre présente une fuite de lubrifiant au bas d'un pied**

- Le cadre a peut-être été trop lubrifié et le lubrifiant excédentaire fuit.
- Cette situation ne causera aucun problème mécanique au cadre et celui-ci continuera à fonctionner correctement.
- Essuyez tout excès de lubrifiant et le cadre ne devrait plus présenter de fuite.

## **Problème: la partie centrale du pied ne s'ajuste pas avec l'ensemble du pied**

- Le pied continuera à fonctionner correctement. Il peut y avoir un bruit fort lors de l'ajustement.
- Si le problème persiste, un technicien de service peut remplacer le pied.

## **Conseils pour disposer de la table**

---

Les tables upCentric® réglables en hauteur peuvent être divisées en différents groupes de déchets en vue de leur recyclage ou de leur combustion.

Nous recommandons de démonter la table upCentric autant que possible avant de la jeter. Principaux matériaux pour le tri des déchets: métal, plastique, débris de câbles, matériaux combustibles et collecte des ressources récupérables. Ne pas disposer des appareils électriques comme des déchets non triés. En disposer selon les différentes installations de collecte municipale.

Contactez votre municipalité pour obtenir des informations sur les possibilités de collecte offertes. Si les appareils électriques sont éliminés dans les décharges ou les dépotoirs, des substances dangereuses peuvent s'infiltrer dans les eaux souterraines et contaminer la chaîne alimentaire, nuisant ainsi à votre santé et à votre bien-être.

## **Garantie**

---

- La garantie de 12 ans couvre la structure du cadre et les pièces en acier.
- Garantie de 12 ans sur les plateaux de table en stratifié haute pression.
- 7 ans de garantie sur les moteurs, les fils et tous les composants électroniques.

ergoCentric Seating Systems garantit par la présente toutes ses tables et tous ses accessoires contre les défauts et les défaillances fonctionnelles des matériaux.

Ces garanties ne s'appliquent pas aux produits qui doivent être remplacés en raison d'une usure normale, d'une négligence, d'un abus ou d'un accident, de dommages dus au transport ou d'une utilisation du produit autre que celle conforme aux instructions et avertissements écrits.

ergoCentric ne garantit pas que ses produits conviennent à un usage particulier autre et n'offre aucune autre garantie, expresse ou implicite, autre que celles énoncées dans les présentes.

En aucun cas, ergoCentric ne peut être tenue responsable, en vertu d'un délit ou d'un contrat, de toute perte ou de tout dommage direct, spécial, accessoire, consécutif ou exemplaire. Cette garantie est basée sur une utilisation pendant une journée de travail de huit heures.

## **Réclamations au titre de la garantie**

ergoCentric s'engage à réparer ou à remplacer tout produit ou matériel couvert par la présente garantie qui s'avérerait défectueux ou inférieur pendant la période de garantie.

Cette garantie inclut le coût de la main-d'œuvre et de l'expédition.

Les réclamations doivent être adressées directement à ergoCentric ou au représentant autorisé auprès duquel le produit a été acheté. Le produit ou les matériaux ayant fait l'objet d'une réclamation doivent être mis à disposition pour inspection par un représentant autorisé d'ergoCentric.

---

## **Limites de la garantie**

Ces garanties ne sont valables que pour leur durée prévue et tant que les produits garantis sont en possession de l'acheteur initial. L'acheteur initial signifie la partie qui a acheté le ou les produits pour son propre usage, que ce soit auprès d'ergoCentric ou d'un représentant autorisé d'ergoCentric.

## Pour une aide technique

---

Prière de contacter ergoCentric :

- Téléphone: 1 866 GET ERGO (438-3746)
- Courriel: [service@ergocentric.com](mailto:service@ergocentric.com)









# ergoCentric®

ph: | Tél.:

1 866 GET ERGO (438-3746) | 905 696-6800

fx: | Téléc.:

1 800 848-5190 | 905 696-0899

[service@ergocentric.com](mailto:service@ergocentric.com)

[ergocentric.com](http://ergocentric.com)