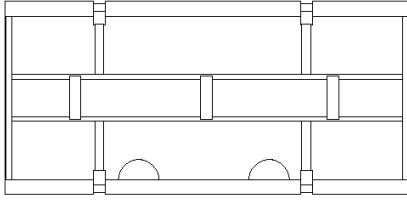


Assembly Instructions | upCentric Cable Management Basket

Parts

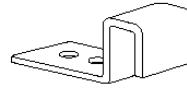
A (x1)



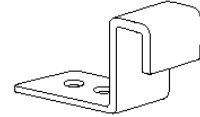
B (x8)



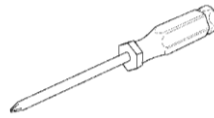
C (x2)



D (x2)

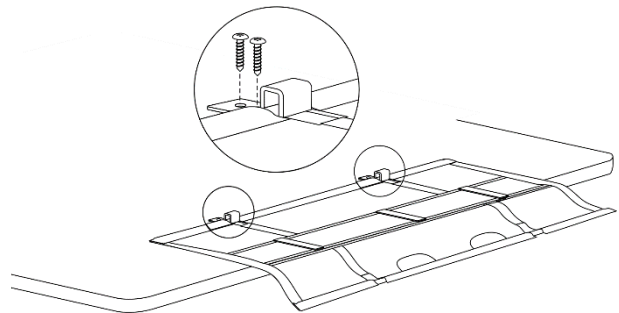
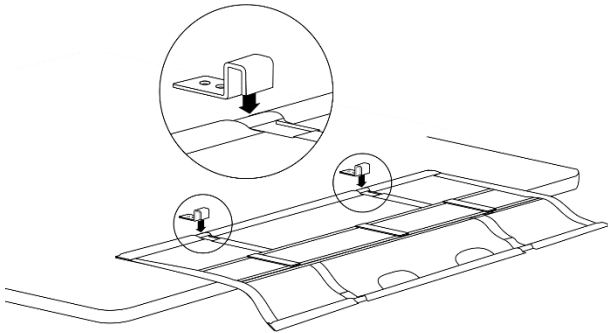


Tools Required: #2 Phillips head screwdriver

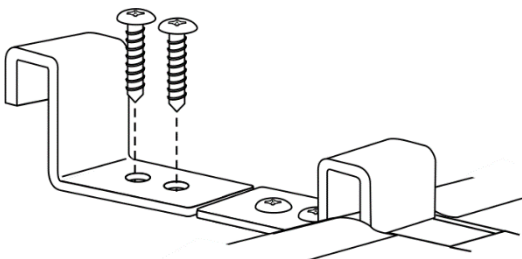


Assembly instructions

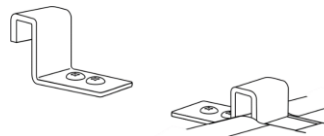
Step 1: Lay your upCentric Cable Management Basket (A) on the surface you are attaching it to. Place your Fixed/Closed Brackets (C) on the work surface over top the exposed sections of aluminum rod. Fasten the brackets to the work surface using the Wood Screws (B).



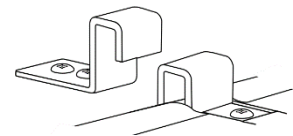
Step 2: Place your Open Brackets (D) on the work surface in line with the Fixed/Closed Brackets. Fasten the brackets to the work surface using Wood Screws (B).



Option 2



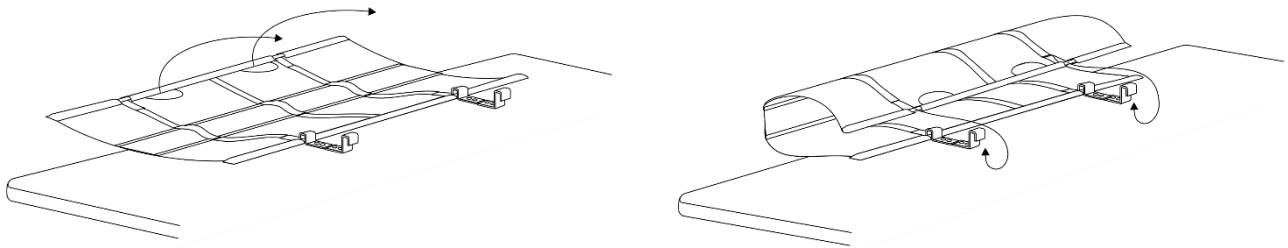
Option 3



Note: The brackets can be attached farther apart (Option 2) or closer together (Option 3) depending on space requirements on the underside of the work surface.

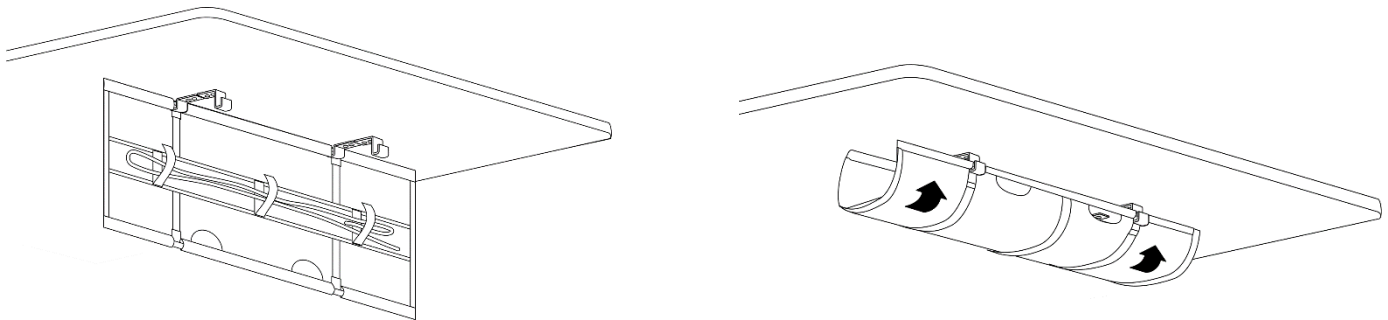
Assembly Instructions | upCentric Cable Management Basket

Step 3: Before flipping your table over and using your upCentric Cable Management Basket, check the alignment of the brackets to ensure you installed them correctly.



Using your new upCentric Cable Management Basket

With the upCentric Cable Management Basket now hanging open, use the straps to fasten any wires and cords running to, from or along the underside of your work surface. Close the mesh cable management by hooking the aluminum rod onto the open bracket.



If you need assistance

Please contact ergoCentric:

- Phone: 1 866 GET ERGO (438-3746)
- Email: service@ergocentric.com