

# Industrial 2F

Speciality Seating



The Ind. 2F Series is designed to meet the rigorous requirements of industrial environments while providing users with superior ergonomic support.

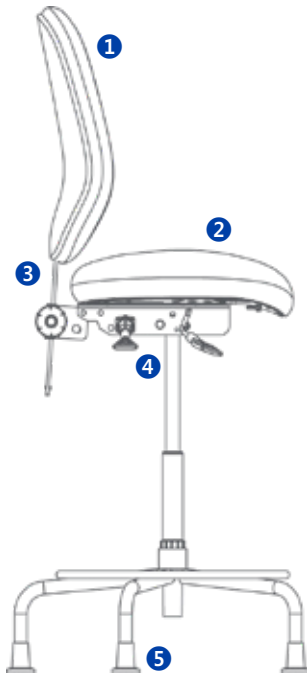
Features such as the 14-gauge steel tube industrial base with an extra polyurethane coating and traction grit on footrests make the Ind. 2F series a durable solution for harsh factory environments.

**ergoCentric**  
The science of sitting™

# Industrial 2F

## Speciality Seating

[View Online](#)



Polyurethane foam molded seats



Upholstered dual curved backrest



Back seat tilt



200mm knurled pneumatic lift



8 1/2" foot ring height

### Features

- 1** Backrest
  - Fully upholstered dual curve backrest
  - 17" w x 19" h
- 2** Seat
  - Dual density molded polyurethane foam
  - Seat pan 20" w x 19" d
- 3** Tilt 2 mechanism
  - Back height adjustment
  - Back angle adjustment
  - Seat tilt
- 4** Pneumatic lift
  - 200mm knurled pneumatic lift (seat height adjustment between 21" - 33 1/2")
- 5** Base and glides
  - 22" chrome base with 18" round tube foot ring (8 1/2" foot ring height)
  - 24" chrome base with 20" round tube foot ring (8 1/2" foot ring height)
  - 1/2" industrial glides
  - Footrest heights: 7", 9 1/2"

### Options

- Glass reinforced nylon back cap II (fabric upholstery)
- Back trim
- Memory or triple density foam
- Seat size options
- Single or dual wheel nylon or urethane casters (adds 1" to seat height)
- Lock-on or lock-off urethane casters (adds 1 1/2" to seat height)
- 2 1/4" glides (adds 1 1/2" to seat height)
- Anti static (available in fabric and vinyl)
- Class 100 Cleanroom (available in vinyl only)
- IC+ (available with back cap option only)

### Warranty

#### 5 years\*

- Original purchaser
- Defects and functional failure of materials up to a weight of 280 lbs
- Mechanisms, arms, foam, fabric, vinyl, PVC-free (vinyl-like) upholstery – with the exception of Silica upholstery

#### 10 years\*

- IC+: Cracking, punctures and tears and use of Rescue, Virox 5, Cavicide, Wex-Cide and bleach cleaning agents when used in accordance with the cleaning agents' labeled instructions

\* Includes labor costs.

[Contact Sales](#)

