

ergoCentric®

Video Conferencing Table

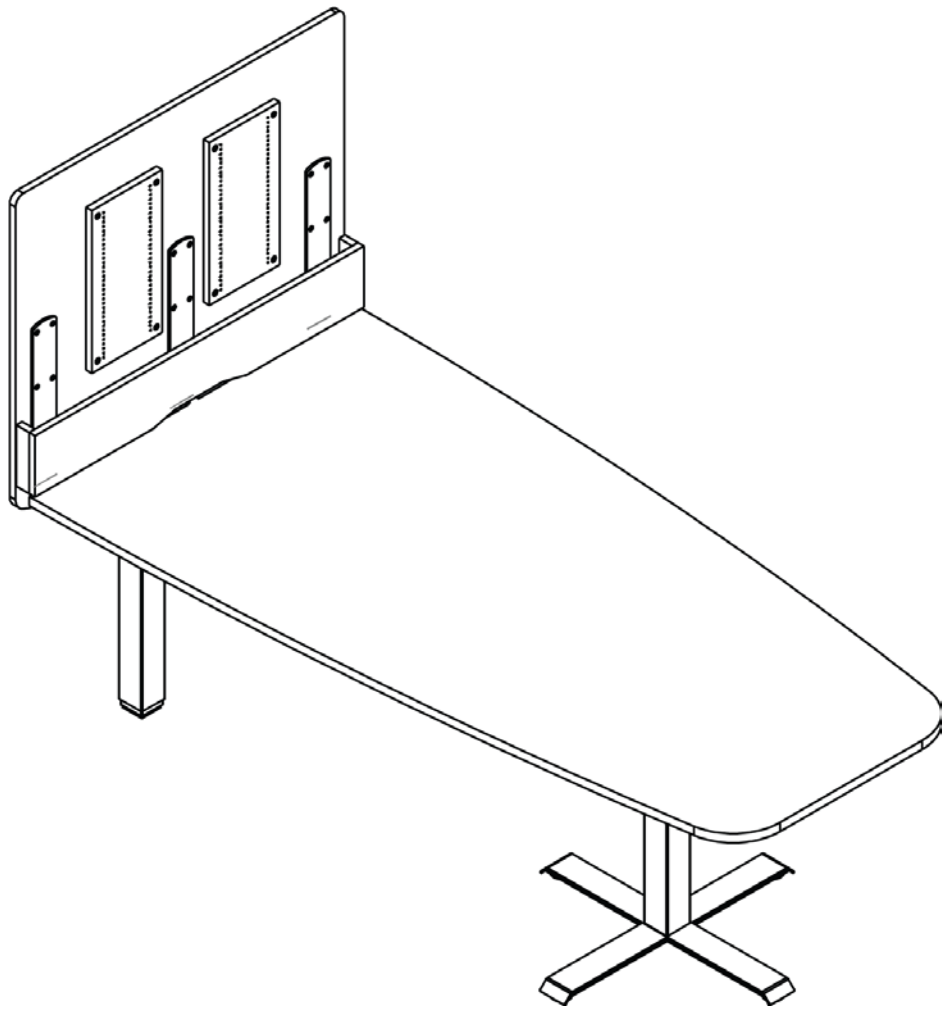


Table of Content

Components	3
Build Leg Assemblies	4
Install the High Pressure Laminate (HPL) Panels	6
Install Shroud	7
Assemble TV-Shroud	8
Completed Assembly	9

Installation Guide

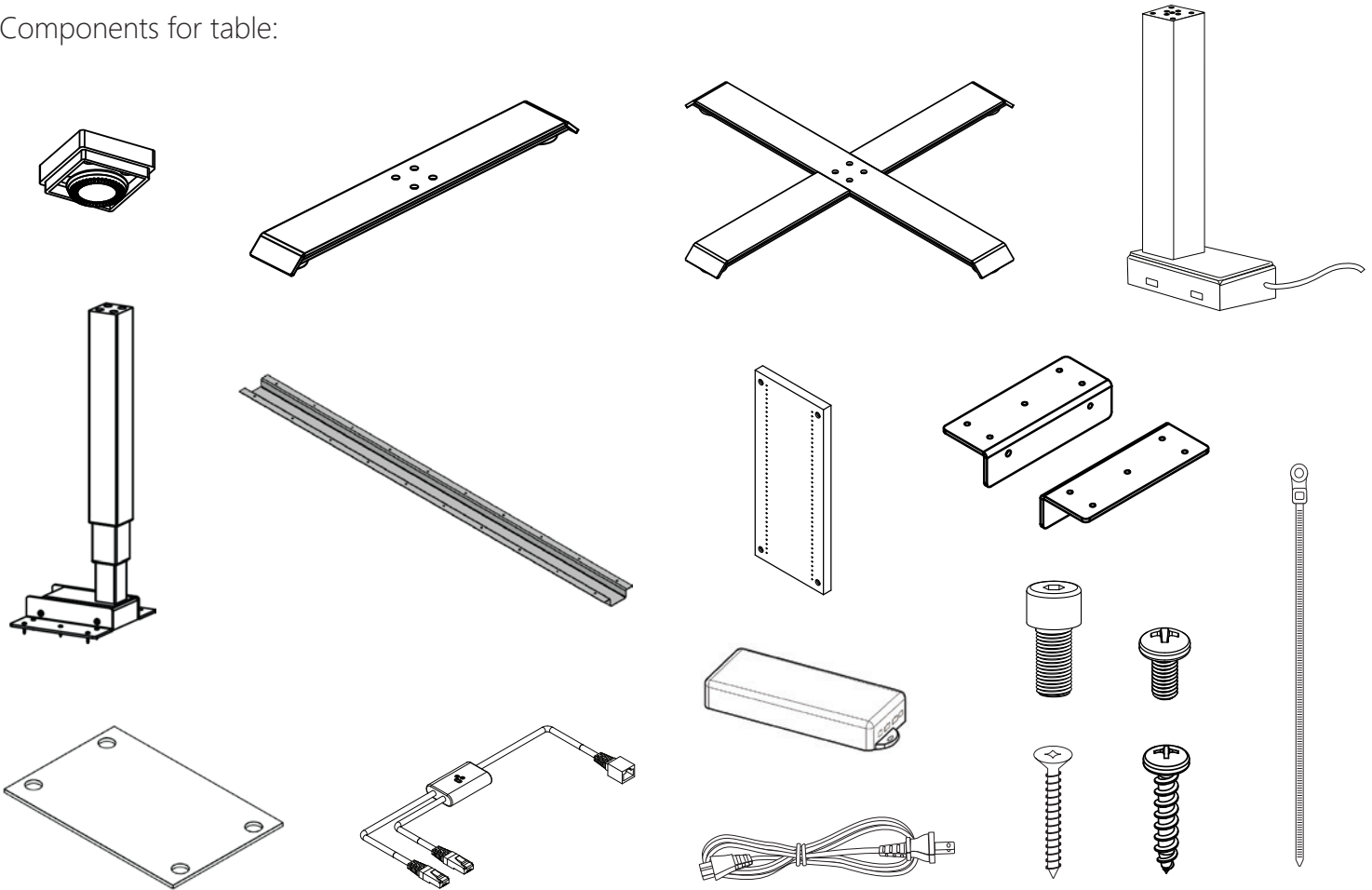
Video Conferencing Tables



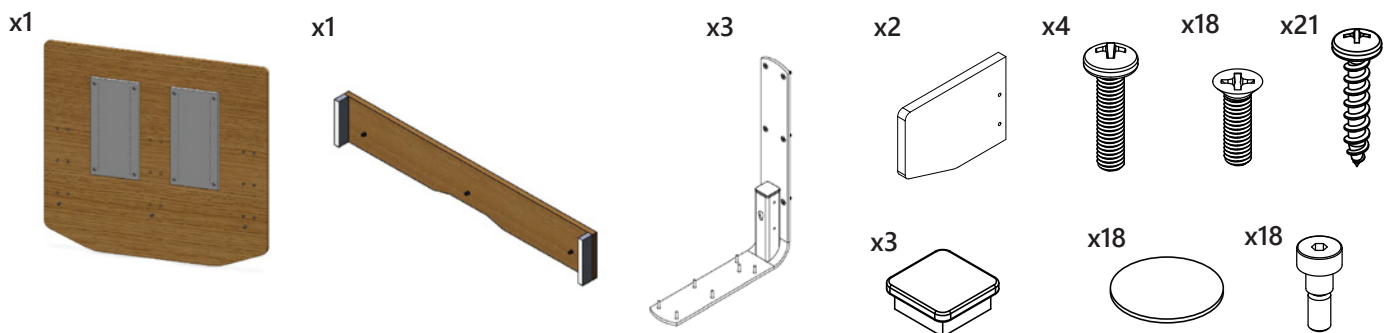
Components

Before beginning the installation, please ensure all hardware items on this list are accounted for and have been received. If there are any discrepancies or missing items please contact ergoCentric at (905) 696-6800 or 1-(866) 328-8819.

Components for table:



Components for shroud:



Installation Guide

Video Conferencing Tables

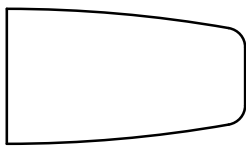


Step 1:

Lay down the table top upside down on the floor, arranged for assembly.

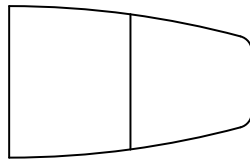
- a) When assembling 2 piece surfaces, match up surfaces at the seem. When assembling 3 piece surfaces, lay out the Plywood surface (HPL surface will be attached later).

Single Piece Top:



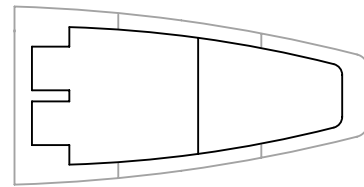
1 piece surfaces:

42" x 72"
42" x 84"
42" x 96"
48" x 72"
48" x 84"
48" x 96"



2 piece surfaces:

48" x 120"
48" x 144"
60" x 72"
60" x 84"
60" x 84"

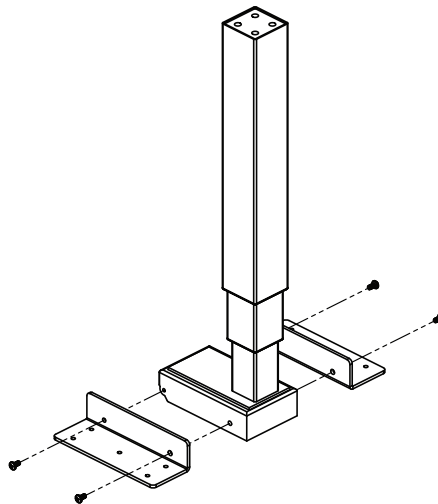


3 piece surfaces:

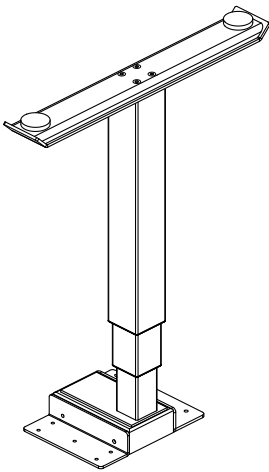
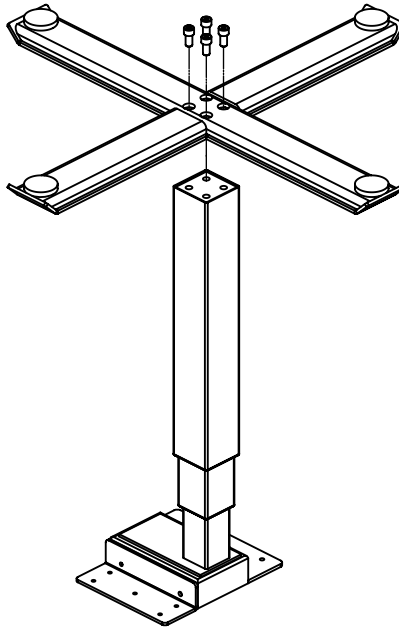
60" x 120"
60" x 144"

Step 2:

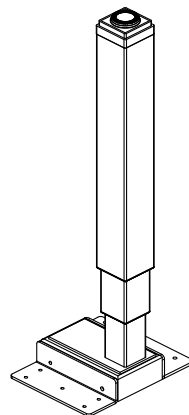
- a) Install Leg Attachment Brackets to legs with 4 x M6X16 Panhead Screws.
Attach Feed to legs with 4 x M10 Bolts.



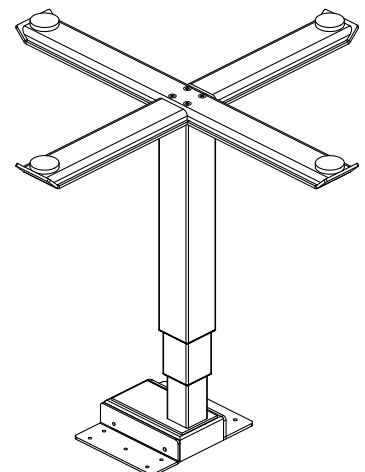
b) Install feet to end of the legs.



2" Foot



Peg Foot



X Foot

*** Install feet as seen here**

Installation Guide

Video Conferencing Tables

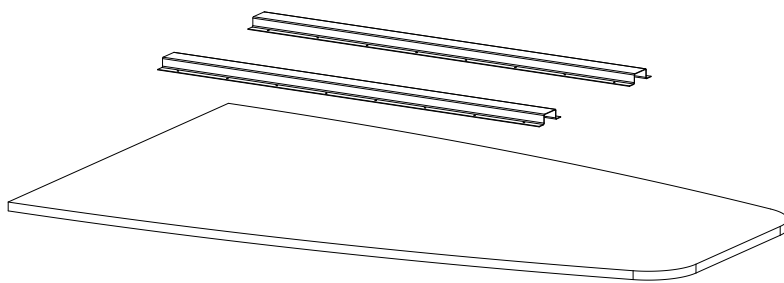


Leg and Plywood Assembly

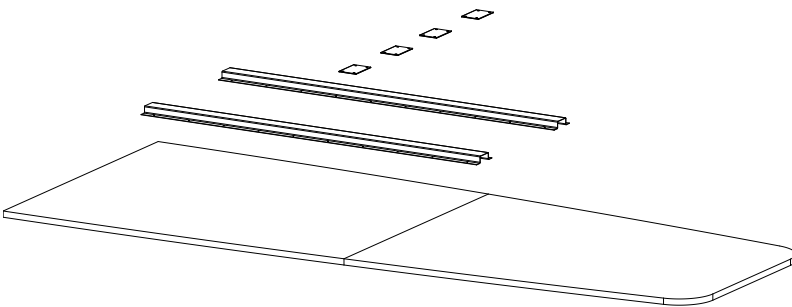
Step 3:

Install under table supports and ganging plates (ganging plates are not used on 1 piece table tops). For 3 piece and 4 piece tops, connect the 2/3 piece plywood.

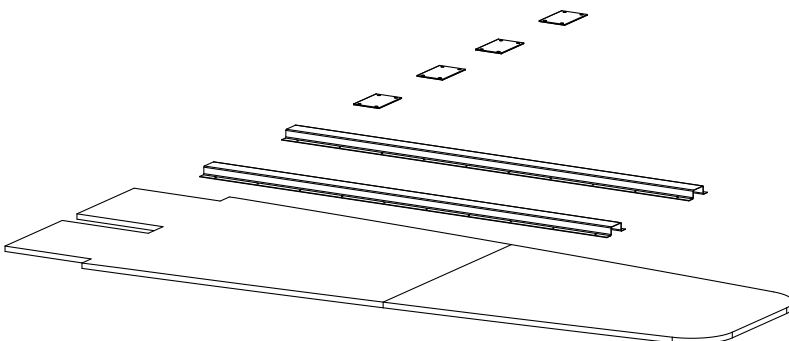
For 2 piece tops, use wood screws, line up with pilot holes. For 3-4 piece tops, use M6 screws to attach to plywood.



a) 1 Piece Surface: attach under table supports using pilot holes and wood screws



b) 2 Piece Surfaces: Align surfaces and attach under table supports and surface alignment plates using pilot holes and wood screws



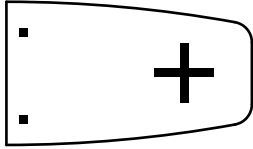
c) Align plywood panels and attach under table supports using M6 x20 screws and wood screws

Installation Guide

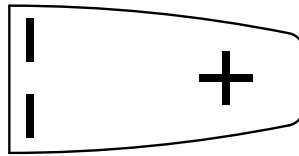
Video Conferencing Tables



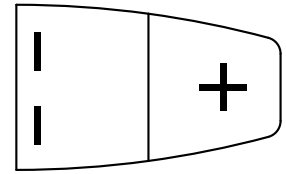
42" Wide 1 Piece Surface



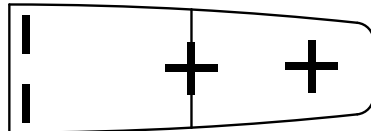
48" Wide 1 Piece Surface



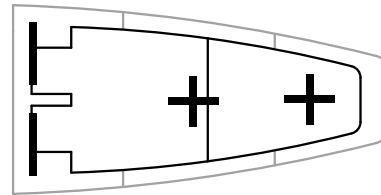
2 Piece surface 72" - 96"



2 Piece surface 120" - 144"

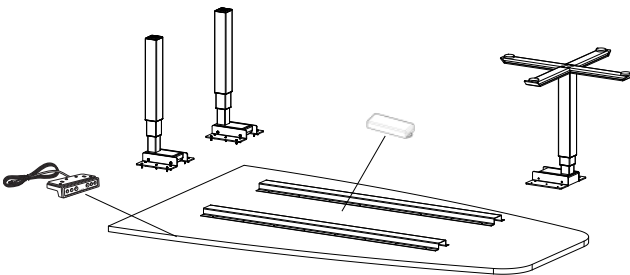


60" x 120 | 60" x 144"

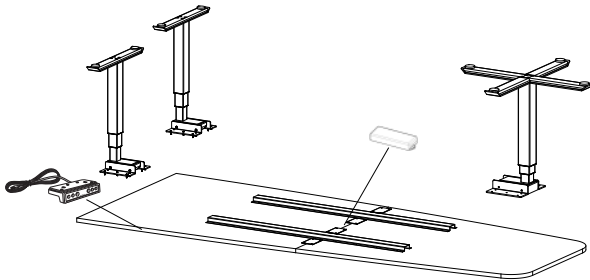


Step 4:

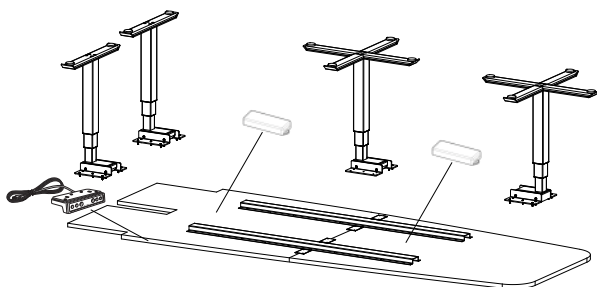
Attach leg assemblies, control boxes and handset



a) 1 Piece surface: attach legs, control box and handset using pilot holes and wood screws



b) 2 Piece surface, 3 legs: Install legs, control box and handset with pilot holes and wood screws



c) 2 Piece surface, 4 legs: Install legs, two control boxes and handset with pilot holes and wood screws

d) 3 Piece surface / Plywood: Install legs and two control boxes with pilot holes and wood screws

Installation Guide

Video Conferencing Tables

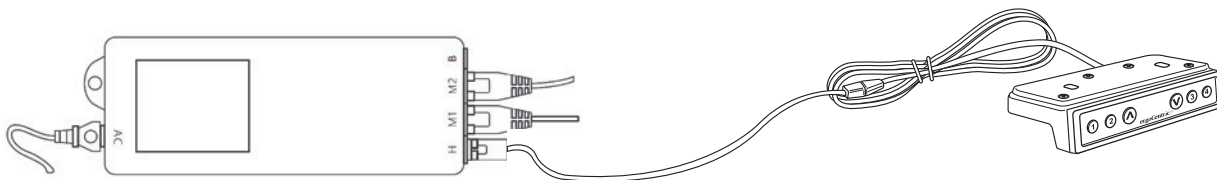


Connect All Wires to Control Box

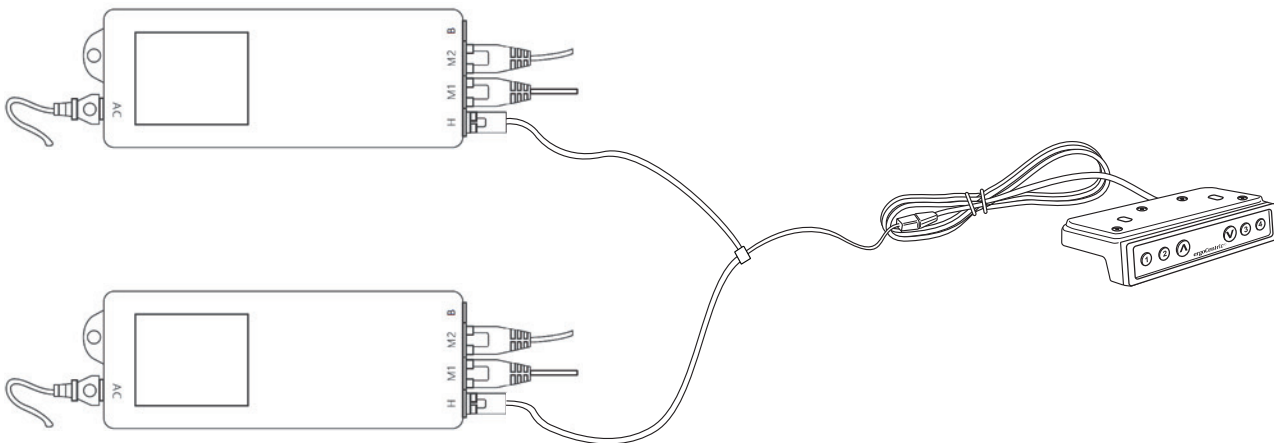
Step 5:

- Plug all leg wires into M ports (M1, M2, M3)
- Plug AC cables into AC ports
- Plug handset into H port
*For 4 leg tables, plug handset into Y splitter cable, and plug both ends of Y splitter cable into H ports on both control boxes
- Fasten all loose wires to table top using zip-ties and wood screws

3 Leg Tables



4 Leg Tables



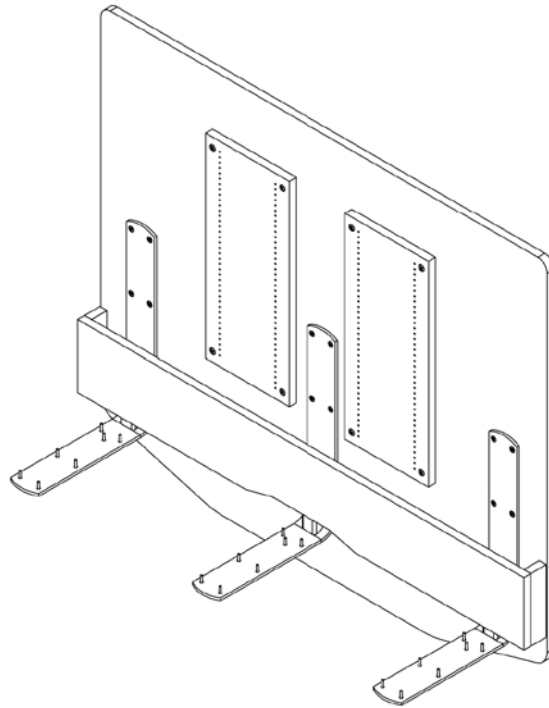
Installation Guide

Video Conferencing Tables

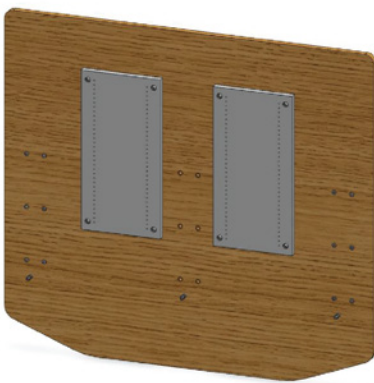


Step 6:

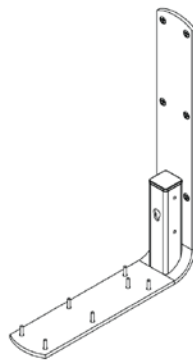
Assemble and install shroud



* Can be ordered separately



Back Shroud Assembly
UP-VCT-SHR-4241-BACK
UP-VCT-SHR-4241-BACK



Panel Attachment
Brackets-AW1003 3 pcs



Front Shroud Assembly
UP-VCT-SHR-42-FRONT
UP-VCT-SHR-48-FRONT

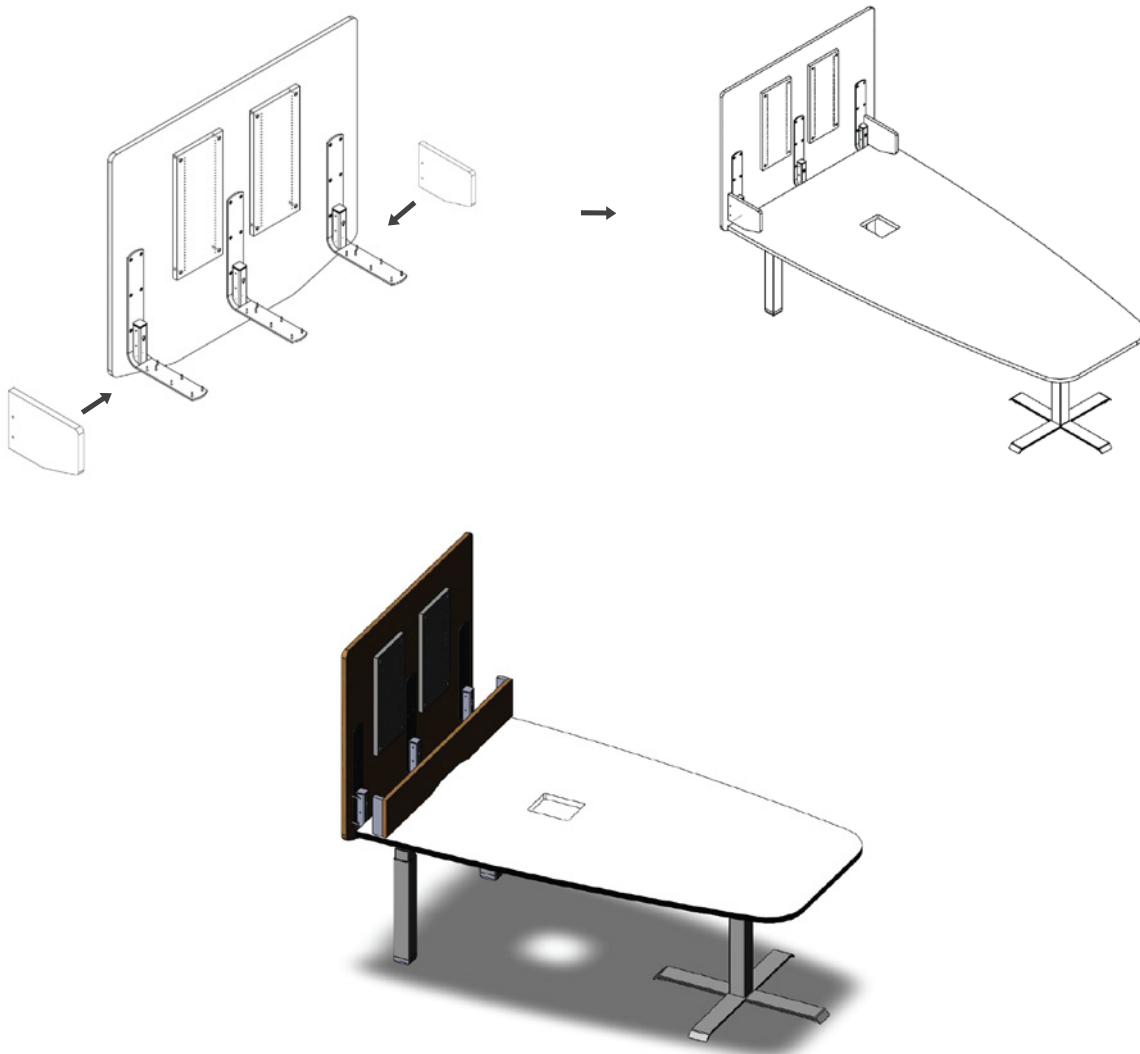
Installation Guide

Video Conferencing Tables



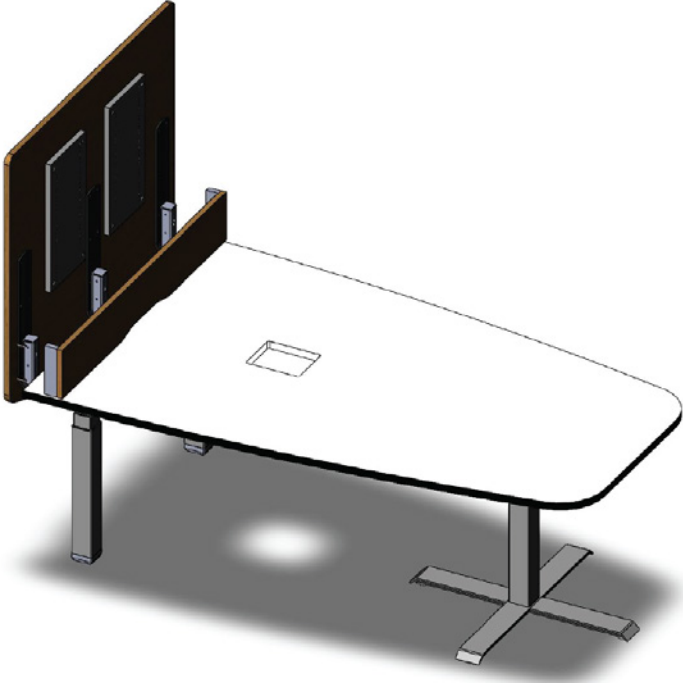
The TV-Shroud assembly comes with the two mounting panels installed.

- 1) Align installation support with the holes on the support bracket (side of square tube) and install both installation support as shown. Screws M6X25 (4X)
- 2) Attach the TV-shroud assembly to the table with the installation supports sitting on the top of the table as shown. Attach the whole shroud assembly to the table as shown. Attach the whole shroud assembly to the table with the metal support brackets, aligning the holes in the bracket with the pilot holes on the bottom of the table. Screw #8x 7/8" (7 screws per bracket).
- 3) Remove installation supports
- 4) Attach front shroud assembly by hooking the shoulder bolts of the front shroud onto the key hooks of the square tubes of the metal support brackets.



Installation Guide

Video Conferencing Tables



* Can be ordered separately